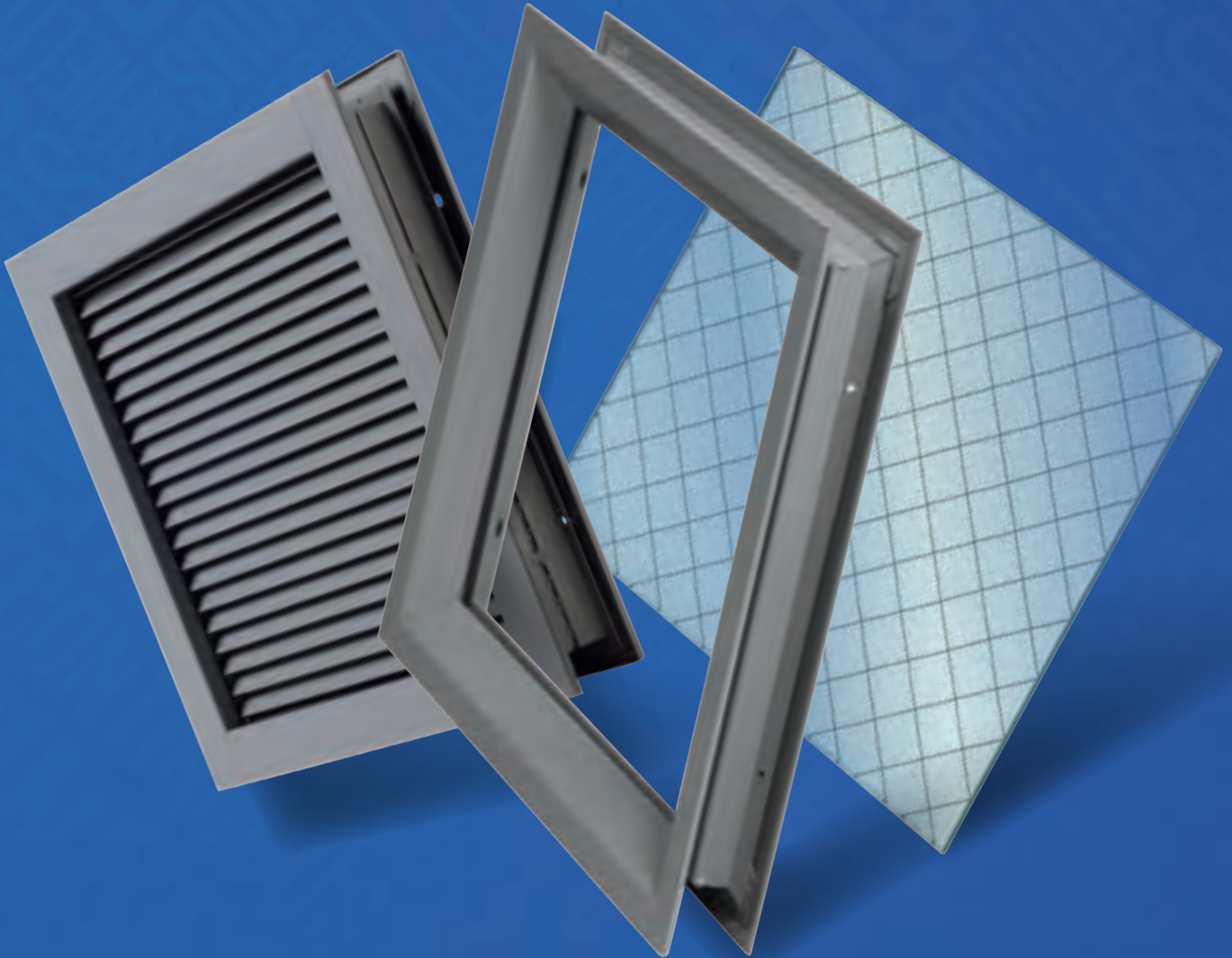




— AND —
Anemostat
DOOR PRODUCTS

LITES

LITE KITS,
LOUVERS & GLASS





LITE KITS, LOUVERS & GLASS INDEX:

LITE KITS

False Mullion	L13
Low Profile	L5-L11, L29
Round	L35-L37
Security	L23-L28, L30-34
Security Grille	L17-L19
Sound-Rated	L6
Square Profile	L12, L14-L15
Stainless Steel	L20-L22
Thru-Bolted	L16, L18-L19, L23, L27-L28

GLASS

Fire-Protective Safety	L38-L42
Glass with Integrated Mini Blinds	L46
Glazing Tape	L45
Insulated Tempered	L43
Laminated	L44
Polycarbonate High Impact	L44
Specialty Glass	L47
Tempered	L43

LOUVERS

Adjustable Blade Louver	L56-L57
Aluminum	L51
Fire-Rated	L54-L55, L61-L64
Security Grille	L58-L60, L61, L65-L66
Steel	L48, L50, L52 L54, L56, L58, L60, L61, L63, L65, L66
Stainless Steel	L49, L53, L55, L57, L59, L62, L64

NUMERICAL INDEX:

Model	Lite Kits	Page	Model	Glass	Page
BR-7	Thru-Bolted Security Lite Kit	L28	Fire-Protective Wired		L42
L-CVFM-SS	Stainless Steel Lite Kit	L20	Glazing Tape		L45
L-CVFM-SS-SP	Stainless Steel Special Glass or Door Thickness	L21-L22	Laminated		L44
L-FRA100	Low Profile Lite Kit	L5	L-Mini Blinds™ IGU		L46
L-FRA100-RD	Round Lite Kit	L35	Polycarbonate High Impact		L44
L-FRA100-SP	Low Profile Special Glass or Door Thickness	L8-L9	Protect3™	Fire-Protective Safety-Wired	L38
L-FRA100 STC	Low Profile Sound-Rated Lite Kit	L6	Pyran® Platinum F	Fire-Protective Safety Ceramic	L39
L-FRA100-SP STC	Low Profile Sound-Rated Lite Kit Special Glass or Door Thickness	L6	Pyran® Platinum L	Fire-Protective Safety Ceramic	L40
L-GLF100	Square Profile Lite Kit	L12	Specialty Glass		L47
L-GLF100-SP	Square Profile Special Glass or Door Thickness	L14-L15	Tempered		L43
L-GLF100-SP-TB	Square Profile Thru-Bolted Special Glass or Door Thickness	L15- L16	Insulated Tempered		L43
L-GLF100-TB	Thru-Bolted Lite Kit	L16	20T	20-Minute Fire-Protective	L41
LO-FP	Round Lite Kit	L36	Model	Louvers	Page
LO-FP-IS	Round Lite Kit	L37	AFDL	No Vision Door Louver	L48
LO-PRO	Low Profile Lite Kit	L7	DSFP	Security Grille Face Plate	L65
LO-PRO-IS	Low Profile Special Glass or Door Thickness	L10-L11	DSFP-316SS	Type 316 Stainless Steel Security Grille Face Plate	L65
LO-PRO-SSD	Low Profile Lite Kit with Security Sliding Door	L26	DSFP-PERF	Security Grille Face Plate	L66
L-SG100	Security Grille	L17, L19	FDLS	Inverted Split Y No Vision Door Louver	L52
L-SG100-TB	Thru-Bolted Security Grille	L18-L19	FDLS-316SS	Type 316 Stainless Steel Inverted Split Y No Vision Door Louver	L53
L-VGLF-MD	Security Lite Kit – 9" X 9"	L32	FLDL	Fire-Rated Fusible Link Louver	L54
L-VGLF-MDL	Security Lite Kit – 12" X 12"	L32	FLDL-316SS	Type 316 Stainless Steel Fire-Rated Fusible Link Louver	L55
L-VGLF-OG	Security Lite Kit – 9" X 9"	L33	FLDL-SG1	Fire-Rated Fusible Link Louver	L61
L-VGLF-PZ	Security Lite Kit – 9" X 9"	L31	FLDL-SG1-316SS	Type 316 Stainless Steel Fire-Rated Fusible Link Louver	L62
L-VGLF-SF	Security Lite Kit – 11" X 11"	L34	FLDL-SG2	Fire-Rated Fusible Link Louver	L63
L-VGLF-WD	Security Lite Kit – 9" X 5"	L30	FLDL-SG2-316SS	Type 316 Stainless Steel Fire-Rated Fusible Link Louver	L64
Options: G2-G24	False Mullion Lite Kits	L13	L-A700-A, B, BF, C	Aluminum No Vision Door and Partition Louver	L51
SG-10	Thru-Bolted Security Lite Kit	L23-L24	L-700-A, B, BF, C	Steel No Vision Door and Partition Louver	L50
SG-10-316SS	Type 316 Stainless Steel Thru-Bolted Security Lite Kit	L23	L-700-A-316SS	Type 316 Stainless Steel No Vision Door Louver	L49
SG-10-SSD	Thru-Bolted Security Lite Kit With Security Sliding Door	L27	L-700-RX	No Vision Door Louver	L48
SG-10-SSD-316SS	Type 316 Stainless Steel Thru-Bolted Security Lite Kit With Security Sliding Door	L27	L-700-RX-316SS	Type 316 Stainless Steel No Vision Door Louver	L49
SSD	Security Sliding Door for Vision Lite Kit	L25	L-1800	Adjustable Blade Louver	L56
SSD-316SS	Type 316 Stainless Steel Security Sliding Door for Vision Lite Kit	L25	L-1800-316SS	Type 316 Stainless Steel Adjustable Blade Louver	L57
STORM-PRO-HR	Low Profile Hurricane Rated Lite Kit	L29	L-1900	Fire-Rated Fusible Link Louver	L54
			L-VRSG-2	Vandal Resistant Security Louver	L60
			L-VRSG-3	Vandal Resistant Security Louver (Both Sides)	L60
			L-Clips	H.M. Door Reinforcement	L67
			Fasteners for Lites and Louvers		L67
			PLSL	STORM PRO Inverted Split Y Security Door Louver	L58
			PLSL-316SS	STORM PRO Type 316 Stainless Steel Inverted Split Y Security Door Louver	L59

TECHNICAL INFORMATION

RATINGS AND LEED



POSITIVE PRESSURE - CERTIFIED by UL to ANSI/UL10C. Complies with IBC, NFPA 80 and NFPA 252 for application to hollow metal fire doors rated up to 3 hours and wood fire doors rated up to 90 minutes (some ratings vary as noted).



CERTIFIED by UL to CAN/ULC-S104 and ANSI/UL10B. Complies with NFPA 80 and NFPA 252 for application to hollow metal fire doors rated up to 3 hours and wood fire doors rated up to 90 minutes (some ratings vary as noted).

LITE KIT TECHNICAL INFORMATION

Fire-Rated Lite Kits: Lite Kits installed in fire-rated doors require fire-rated glass and glazing tape.

Impact Safety-Rated Glass Requirements: IBC requires all individual glazed areas in swinging doors to be impact safety-rated to comply with the CPSC 16CFR 1201 Category I or II.

Accessibility Standard Compliance: ADA Standards for Accessible Design requires that the bottom of the glass panel in a vision lite be located 43" maximum above the floor. An exception is made for vision lites with the lowest part more than 66" above the floor, which are not required to comply.

LOUVER TECHNICAL INFORMATION

Steel louvers over 46" wide and aluminum louvers over 36" wide must be furnished as two louver cores. Wider louvers for transom applications require two louvers installed side by side.

LEED GREEN BUILDING

The LEED (Leadership in Energy and Environmental Design) Green Building Rating System® is a national standard for developing high-performance, sustainable buildings developed by the U. S. Green Building Council. Our current LEED letter containing LEED qualification information for all our products is available on our website ngp.com.

Environmental Product Declarations (EPD) prepared and certified by an Independent Laboratory based on Life Cycle Assessments (LCA) of our products may be viewed on our website ngp.com.

Health Product Declarations (HPD) may be viewed on our website ngp.com.

National Guard Products sustainability report may be viewed on our website ngp.com.

Contact us regarding our end-of-use product recycling program.

TECHNICAL INFORMATION

POWDER COAT CHART

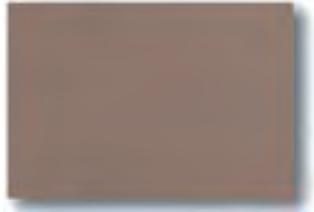
Colors may have a slight variation on your monitor or printer.

Contact NGP to have color samples mailed to you.

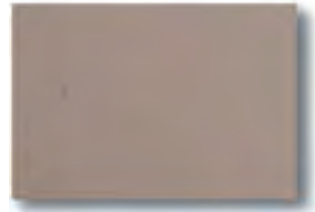
STANDARD COLORS



GPZ-Gray Primer



T-Tan



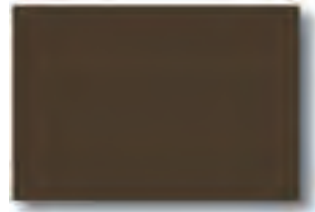
BPR-Beige Primer
(matches Steelcraft)



DKB-Dark Bronze



PTY-Putty
(matches Anemostat Beige)

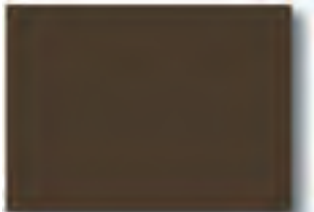


CAB-California Bronze
(matches Anemostat)

OPTIONAL COLORS



B-Brass



WB-Walnut Brown
(matches Timely Browntone)



ASL-Aluminum Silver
(metallic)



TBL-Textured Black
GBL-Gloss Black
MBL-Matte Black



MW-Magnolia White
(matches Timely Western White)



W-White

TECHNICAL INFORMATION

MATERIALS

Lite kits are available in Cold Rolled Steel, Galvanneal or Electrogalvanized Steel, and Stainless Steel. Louvers are available in Cold Rolled Steel, Galvanneal or Electrogalvanized Steel, Stainless Steel and Aluminum Alloy 6063-T5.

Corrosion-Resistant Sealer: A polymeric green seal (non-chrome) corrosion resistance extender is applied under all NGP powder coat finishes. Laboratory salt spray tests prove a dramatic increase in corrosion resistance on steel products with this sealer applied to the metal prior to the powder coat finish.

Salt Spray Test Results: Steel lite kits with NGP's corrosion-resistant sealer and powder coat finish withstood 1,248 hours without failing. This is 2½ times longer than the protection provided by powder coating only.

ZINC ELECTROPLATING

Available on steel lite kits and louvers for extra corrosion resistance; recommended for exterior, wet areas, and coastal salt air locations. Zinc electroplating will be applied under the powder coat finish. Specify on order "Zinc EL-Plate" and powder coat color desired. Not available on insect screen.

HOW TO ORDER EXAMPLE

Quantity	Model#	Finish	Cutout Size (width x height)	Options
10	L-FRA100-SP	DKB	24" x 30"	for 1" Thick Glass

BUY AMERICAN

REQUIREMENTS

Buy American Act

Over 99% of our products are produced in the United States as a domestic construction material, as defined in the Buy American Act (BAA) of March 1933 and amended by the Buy American Act of 1988 and FAR 52.225-9. A Buy American certificate may be obtained on our website ngp.com.

Buy America

Most of our products comply with Buy America Requirements of 49 U.S.C. 5323(j)(1), and the applicable regulations in 49 CFR part 661. Contact us for a Certificate of Compliance for your project.

Components of unknown origin are considered to have been produced or manufactured outside the United States.

Build America, Buy America

Many of our products comply with the Infrastructure Investment and Jobs Act, Build America, Buy America requirements. Contact us for a Certificate of Compliance for your project.

L-FRA100

LOW PROFILE LITE KIT

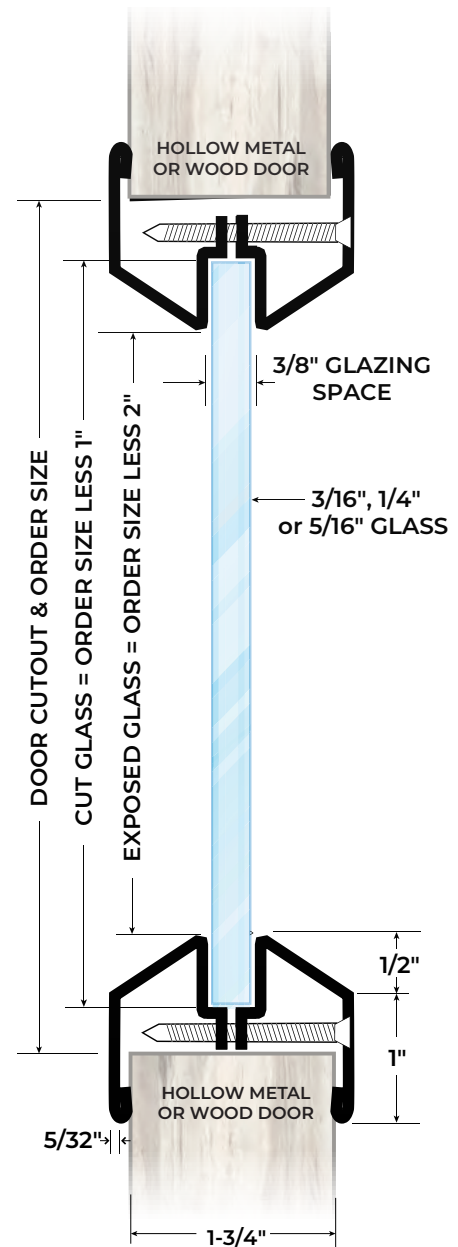


FOR 1 3/4" THICK DOORS AND 3/16", 1/4" OR 5/16" GLASS

- ▶ 18 Ga. Cold Rolled Steel
- ▶ Mitered and Welded Corners
- ▶ Welded Reinforcing Clips at Corners
- ▶ Countersunk Mounting Screw-Holes
- ▶ #8 X 1 3/4" Phillips Head SMS
- ▶ Available in Uneven and Fractional Sizes
- ▶ Gray Primer (GPZ) Powder Coat Finish

Available Options

- ▶ Powder Coat Color Options - See Page L3
- ▶ Torx Security Screws
- ▶ Galvanneal - A40 Steel
- ▶ Zinc Electroplating
- ▶ Glass & Glazing Tape - See Glass Section
- ▶ Lead Lining - 1/16" Thick



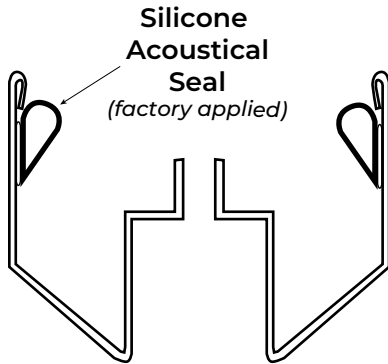
Not To Scale

Designed for Use on 1 3/4" Thick Doors Manufactured Within Door Industry Tolerance of +/- 1/16".

L-FRA100 STC & L-FRA100-SP STC

LOW PROFILE SOUND-RATED LITE KIT OPTION - SUFFIX "STC"

SILICONE ACOUSTICAL SEAL APPLIED TO REDUCE SOUND TRANSMISSION



Acoustical Testing Performed at Intertek Testing, Inc. to:

- ASTM E 90* Standard Test Method for Laboratory Measurement of Airborne Sound Transmission Loss of Building Partitions and Elements
- ASTM E 413* Classification for Rating Sound Insulation
- ASTM E 1332* Standard Classification for Rating Outdoor-Indoor Transmission Class
- ASTM E 2235* Standard Test Method for Determination of Decay Rates for Use in Sound Insulation Test Methods

STC Ratings

Protect3	STC 28
20T	STC 28
Wired	STC 28
Polycarbonate ¼"	STC 29
Pyran® Platinum F	STC 31
Tempered ¼"	STC 31
Polycarbonate ½"	STC 34
Insulated Tempered 1"	STC 35
Laminated ¼"	STC 35
Pyran® Platinum L	STC 36
Insulated Laminated 1"	STC 42

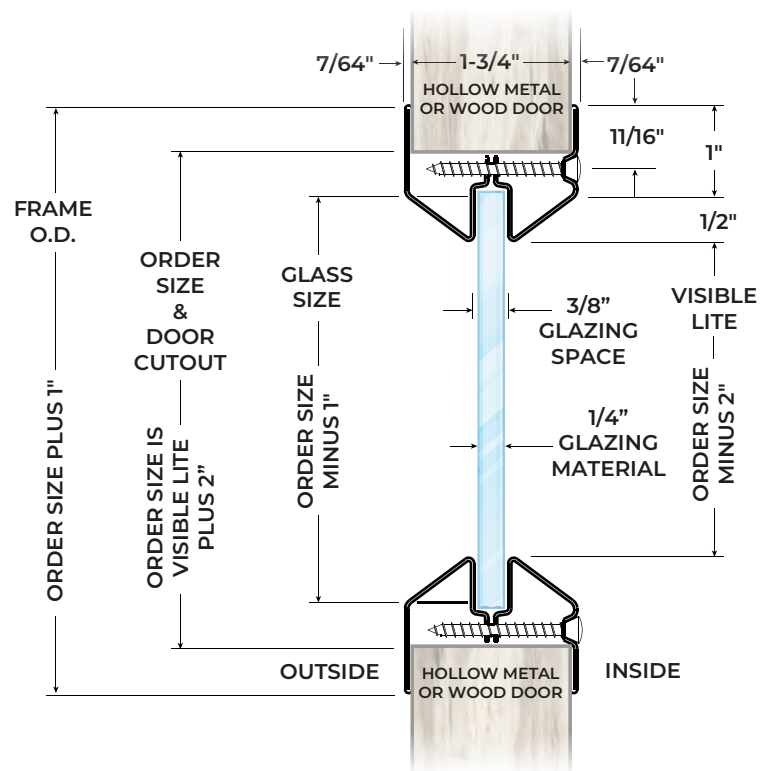
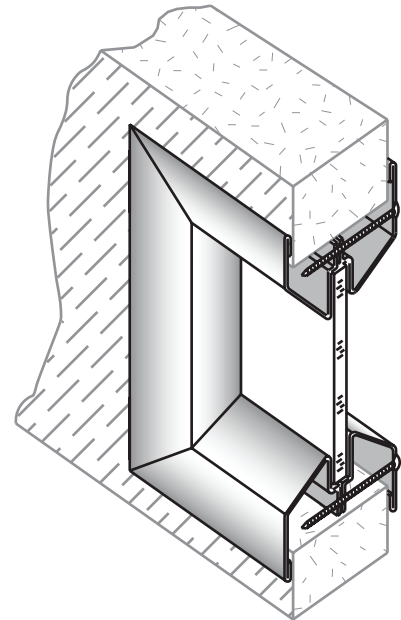


FOR 1 3/4" THICK DOORS AND 3/16", 1/4" OR 5/16" GLASS

- ▶ 20 Ga. Cold Rolled Steel
- ▶ Mitered and Welded Corners
- ▶ Countersunk Mounting Screw-Holes
- ▶ #8 X 1 3/4" Phillips Head SMS
- ▶ Available in Uneven and Fractional Sizes
- ▶ Gray Primer (GPZ) Powder Coat Finish

Available Options

- ▶ Powder Coat Color Options - See Page L3
- ▶ Torx Security Screws
- ▶ Electrogalvanized Steel
- ▶ Zinc Electroplating
- ▶ Glass & Glazing Tape - See Glass Section
- ▶ Lead Lining - 1/16" Thick



Not To Scale

Designed for Use on 1 3/4" Thick Doors Manufactured Within Door Industry Tolerance of +/- 1/16".

L-FRA100-SP

LOW PROFILE LITE KIT



FOR VARIABLE DOOR AND/OR GLASS THICKNESS

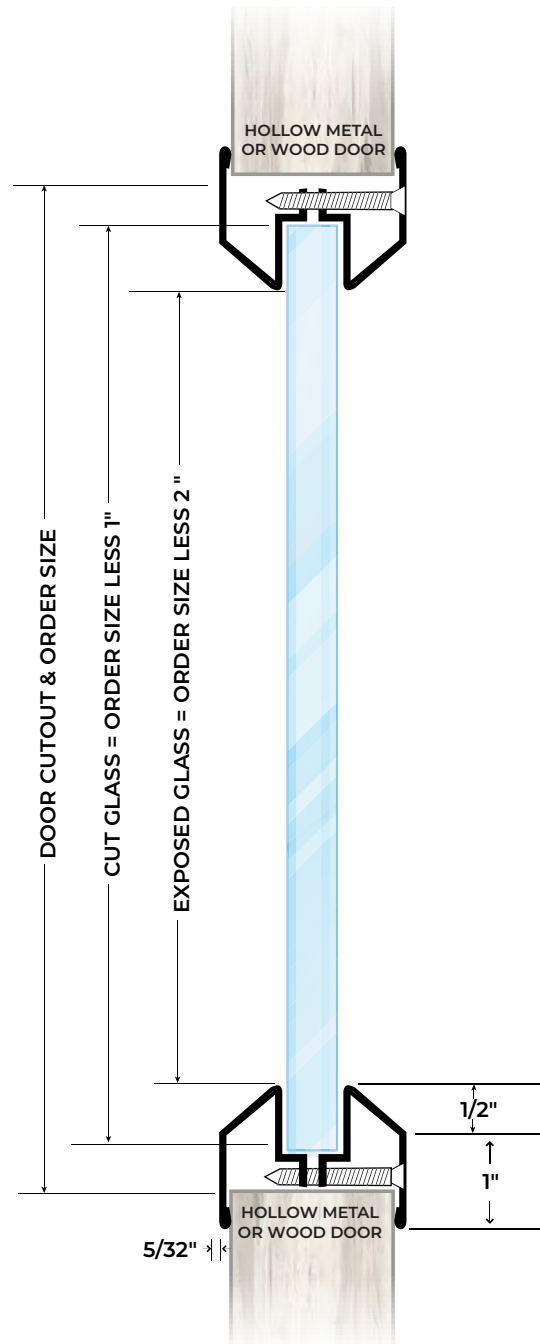
- ▶ 18 Ga. Cold Rolled Steel
- ▶ Mitered and Welded Corners
- ▶ Welded Reinforcing Clips at Corners
- ▶ Countersunk Mounting Screw-Holes
- ▶ #8 Phillips Head SMS
- ▶ Available in Uneven and Fractional Sizes
- ▶ Gray Primer (GPZ) Powder Coat Finish

Required Information

- ▶ Specify Glass Thickness on Order
- ▶ Specify Door Thickness on Order if Other Than 1³/₄"

Available Options

- ▶ Powder Coat Color Options - See Page L3
- ▶ Torx Security Screws
- ▶ Galvanneal - A40 Steel
- ▶ Zinc Electroplating
- ▶ Glass & Glazing Tape - See Glass Section
- ▶ Lead Lining - 1/16" Thick



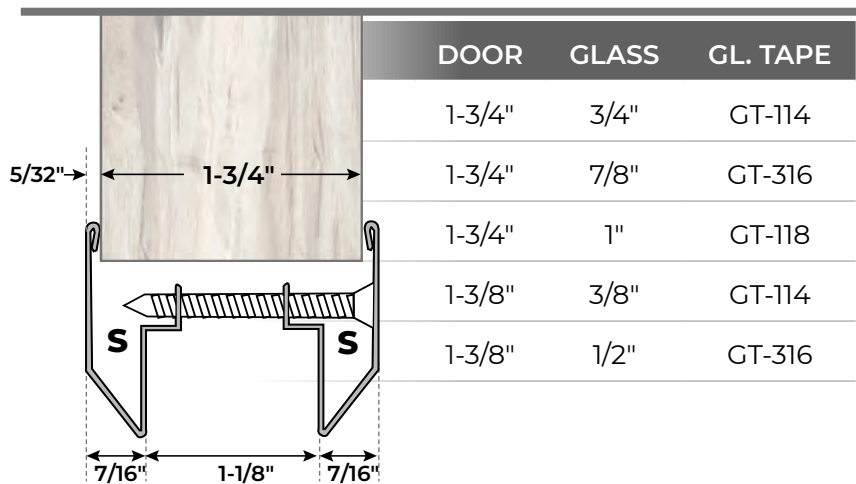
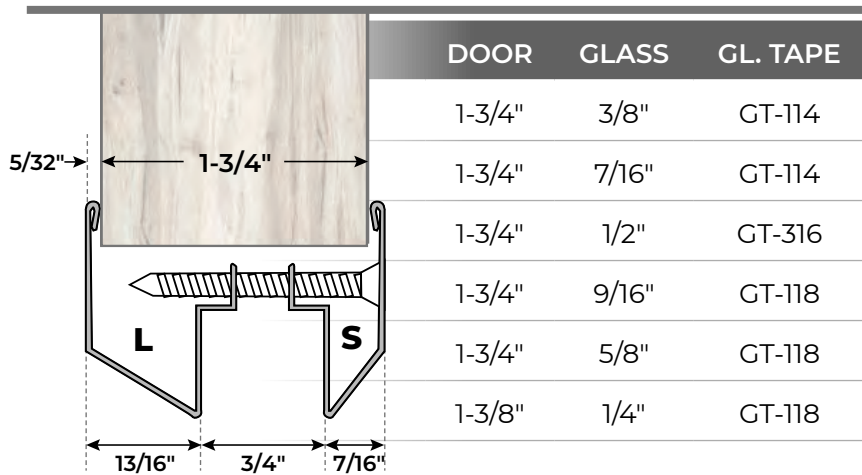
Not To Scale

Designed for Use on 1³/₄" Thick Doors Manufactured Within Door Industry Tolerance of +/- 1/16".

L-FRA100-SP

GLASS AND DOOR COMBINATIONS

- Details Shown are for 1 3/4" Door Thickness
- Only Configurations Shown are Available





FOR VARIABLE DOOR AND/OR GLASS THICKNESS

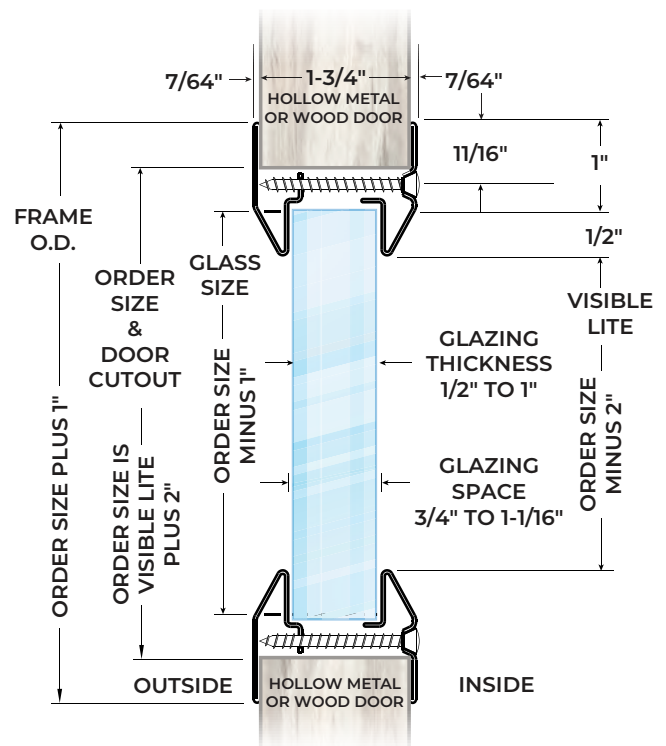
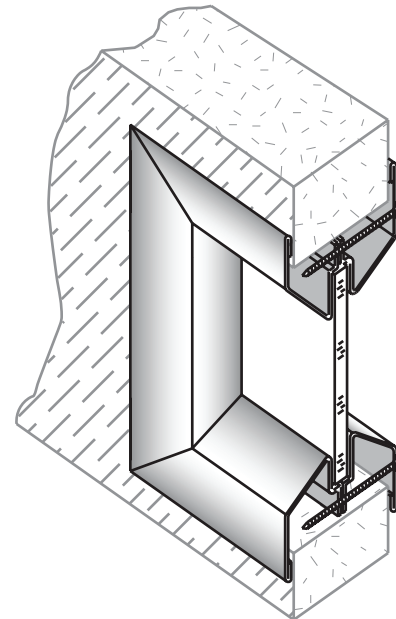
- 20 Ga. Cold Rolled Steel
- Mitered and Welded Corners
- Countersunk Mounting Screw-Holes
- #8 Phillips Head SMS
- Available in Uneven and Fractional Sizes
- Gray Primer (GPZ) Powder Coat Finish

Required Information

- Specify Glass Thickness on Order
- Specify Door Thickness on Order if Other Than 1 3/4"

Available Options

- Powder Coat Color Options - See Page L3
- Torx Security Screws
- Electrogalvanized Steel
- Zinc Electroplating
- Glass & Glazing Tape - See Glass Section
- Lead Lining - 1/16" Thick



Not To Scale

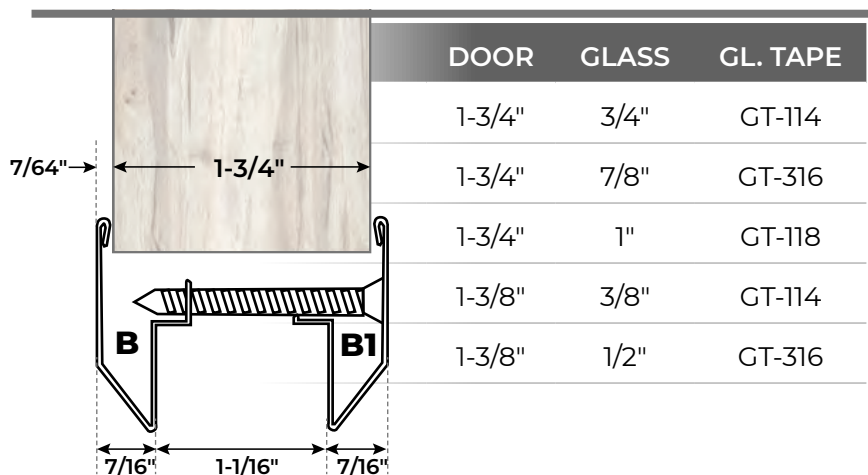
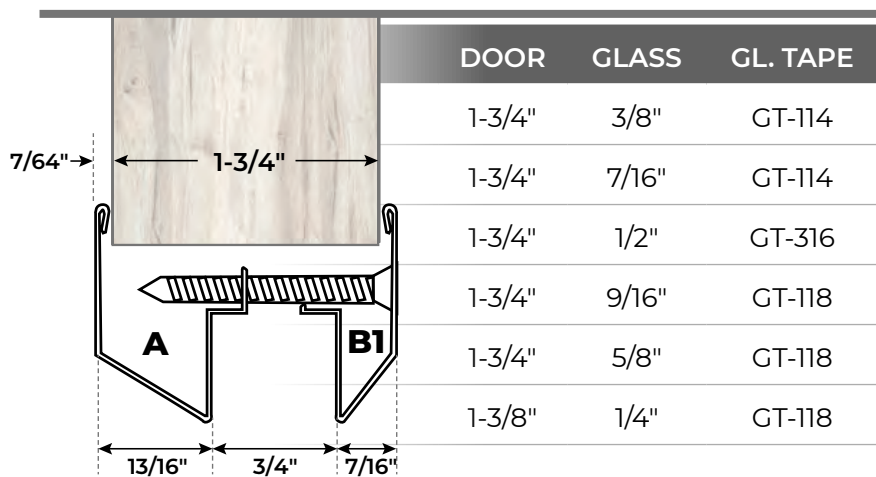
Designed for Use on 1 3/4" Thick Doors Manufactured Within Door Industry Tolerance of +/- 1/16".

LO-PRO-IS

GLASS AND DOOR COMBINATIONS

Anemostat
DOOR PRODUCTS

- Details Shown are for 1³/₄" Door Thickness
- Only Configurations Shown are Available



L-GLF100

SQUARE PROFILE LITE KIT

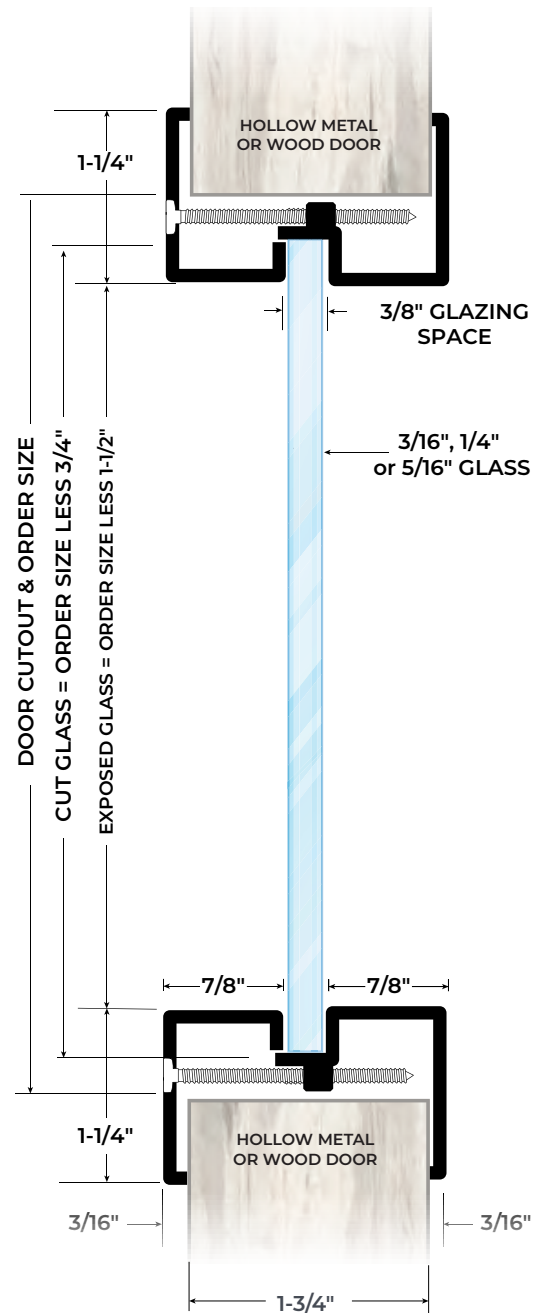
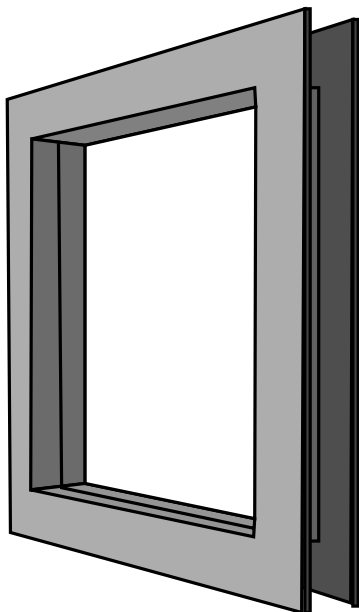


FOR 1 3/4" THICK DOORS AND 3/16", 1/4", OR 5/16" GLASS

- ▶ 18 Ga. Cold Rolled Steel
- ▶ Mitered and Welded Corners
- ▶ Welded Reinforcing Clips at Corners
- ▶ Countersunk Mounting Screw-Holes
- ▶ #6 X 1 3/4" Phillips Truss Head SMS
- ▶ Available in Uneven and Fractional Sizes
- ▶ Gray Primer (GPZ) Powder Coat Finish

Available Options

- ▶ Powder Coat Color Options - See Page L3
- ▶ False Mullion Bars - See Page L13
- ▶ Torx Security Screws
- ▶ Galvanneal - A40 Steel
- ▶ Zinc Electroplating
- ▶ Glass & Glazing Tape - See Glass Section
- ▶ Lead Lining - 1/16" Thick



Not To Scale

Designed for Use on 1 3/4" Thick Doors Manufactured Within Door Industry Tolerance of +/- 1/16".

FALSE MULLION LITE KITS

- ▶ 1" Wide Steel Channel
- ▶ Fits L-GLF100, L-GLF100-SP, L-GLF100-TB, L-GLF100-SP-TB, L-SG100, L-SG100-TB
- ▶ Mullion Bars Welded Into Both Sides of Lite Kit
- ▶ Finished to Match Lite Kit



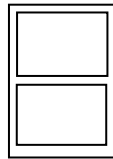
Available Options

- ▶ Zinc Electroplating

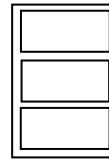
To Order

Specify Lite Kit x G# (i.e.: G2, G3, G4 etc.)

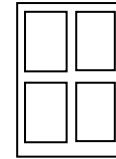
If Other Than as Illustrated, Provide Detail & Suffix G-SP



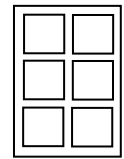
G2
(1 Bar)



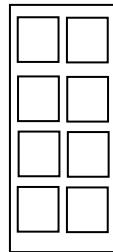
G3
(2 Bars)



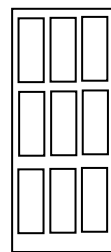
G4
(2 Bars)



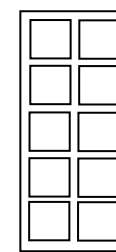
G6
(3 Bars)



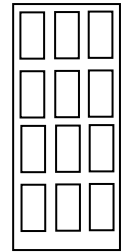
G8
(4 Bars)



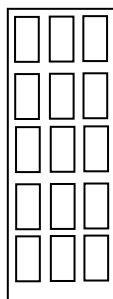
G9
(4 Bars)



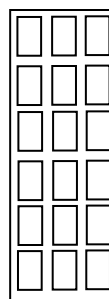
G10
(5 Bars)



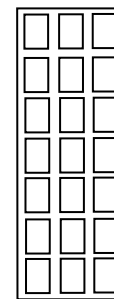
G12
(5 Bars)



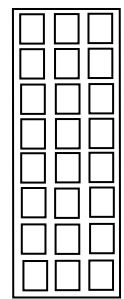
G15
(6 Bars)



G18
(7 Bars)



G21
(8 Bars)



G24
(9 Bars)

L-GLF100-SP

SQUARE PROFILE LITE KIT



FOR VARIABLE DOOR AND/OR GLASS THICKNESS

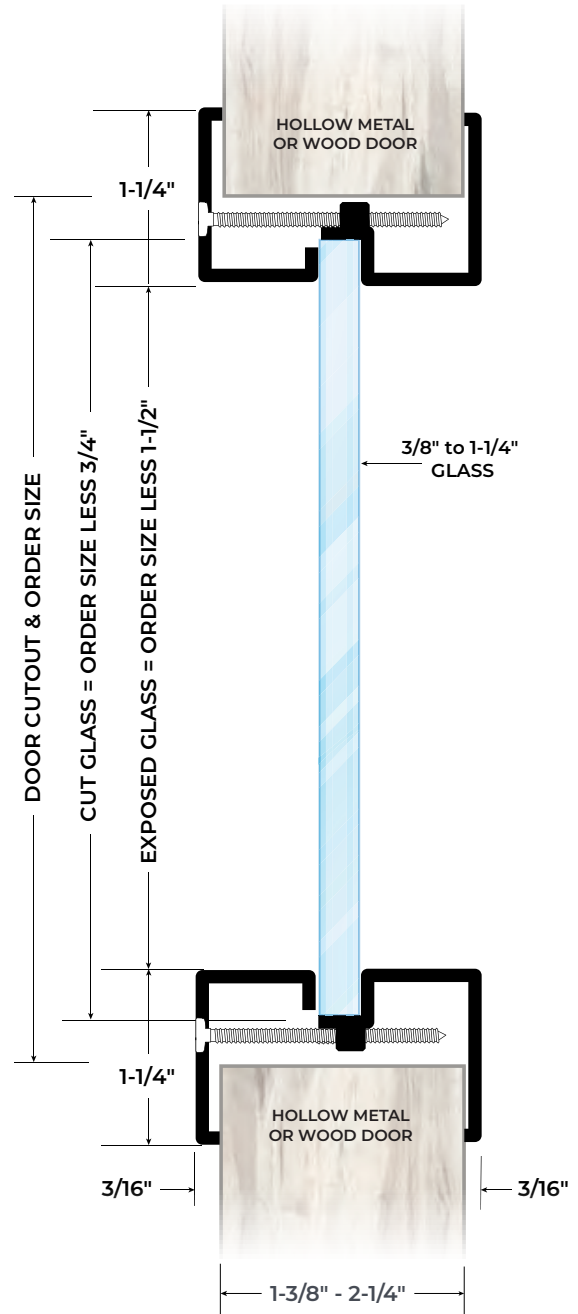
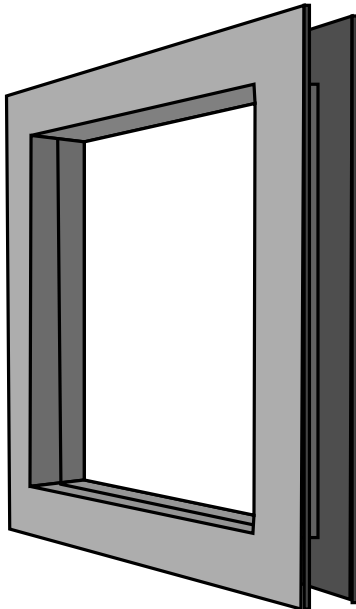
- ▶ 18 Ga. Cold Rolled Steel
- ▶ Mitered and Welded Corners
- ▶ Welded Reinforcing Clips at Corners
- ▶ Countersunk Mounting Screw-Holes
- ▶ #6 Phillips Truss Head SMS
- ▶ Gray Primer (GPZ) Powder Coat Finish

Required Information

- ▶ Specify Glass Thickness on Order
- ▶ Specify Door Thickness on Order if Other Than 1 3/4"

Available Options

- ▶ Powder Coat Color Options - See Page L3
- ▶ False Mullion Bars - See Page L13
- ▶ Torx Security Screws
- ▶ Galvanneal - A40 Steel
- ▶ Zinc Electroplating
- ▶ Glass & Glazing Tape - See Glass Section
- ▶ Lead Lining - 1/16" Thick



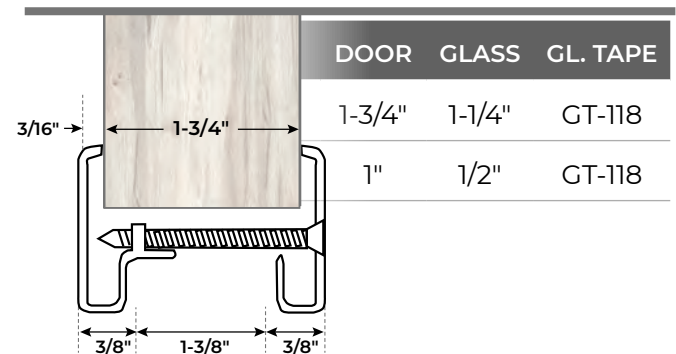
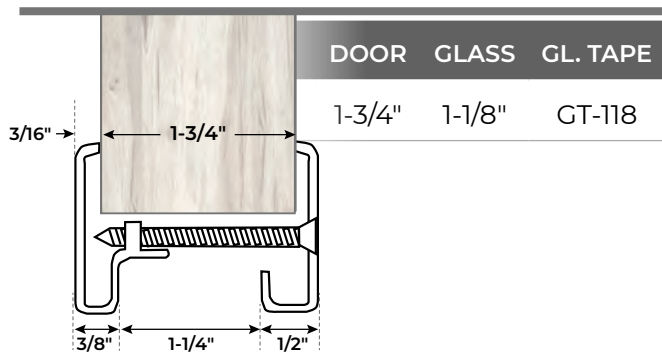
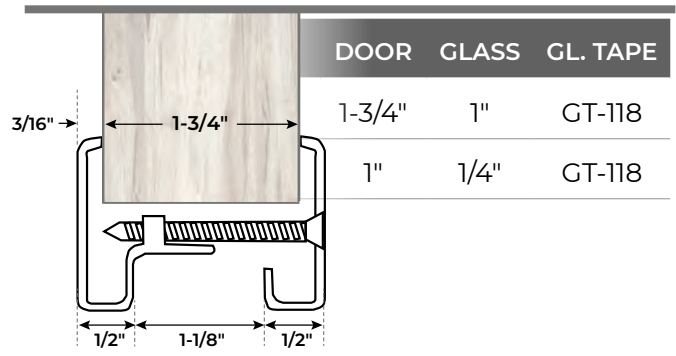
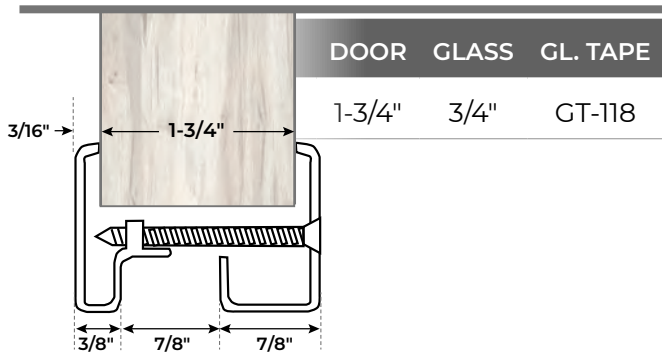
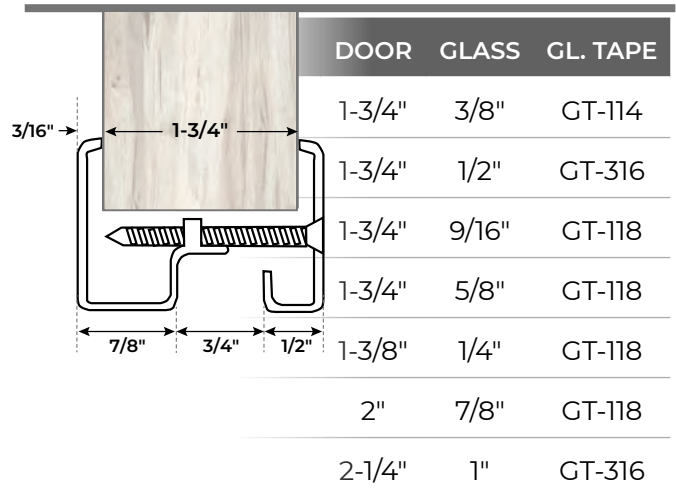
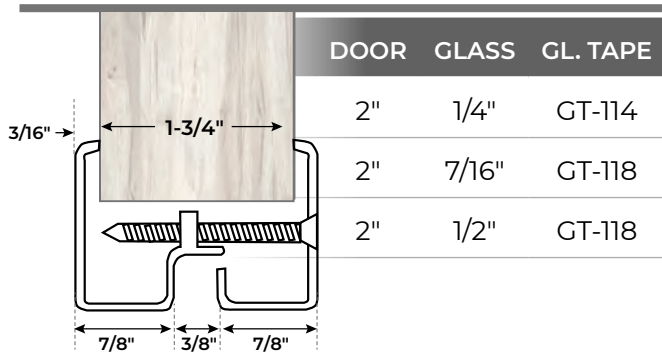
Not To Scale

Designed for Use on 1 3/4" Thick Doors Manufactured Within Door Industry Tolerance of +/- 1/16".

L-GLF100-SP AND L-GLF100-SP-TB

GLASS AND DOOR COMBINATIONS

- Details Shown are for 1 3/4" Door Thickness
- Only Configurations Shown are Available
- Thru-Bolts Available for 1 3/4" Thick Doors Only



L-GLF100-TB

THRU-BOLTED LITE KIT

FOR 1 3/4" THICK DOORS AND 3/16", 1/4", OR 5/16" GLASS



- ▶ 18 Ga. Cold Rolled Steel
- ▶ Mitered and Welded Corners
- ▶ Welded Reinforcing Clips at Corners
- ▶ Countersunk Mounting Screw-Holes
- ▶ Thru-Bolts for 1 3/4" Door
- ▶ Gray Primer (GPZ) Powder Coat Finish

Available Options

- ▶ Powder Coat Color Options - See Page L3
- ▶ False Mullion Bars - See Page L13
- ▶ Torx Security Thru-Bolts
- ▶ Galvanneal - A40 Steel
- ▶ Zinc Electroplating
- ▶ Glass & Glazing Tape - See Glass Section
- ▶ Lead Lining - 1/16" Thick

L-GLF100-SP-TB

THRU-BOLTED LITE KIT

FOR 1 3/4" THICK DOORS AND VARIABLE GLASS THICKNESS 3/8" TO 1 1/4"

- ▶ 18 Ga. Cold Rolled Steel
- ▶ Mitered and Welded Corners
- ▶ Welded Reinforcing Clips at Corners
- ▶ Countersunk Mounting Screw-Holes
- ▶ Thru-Bolts for 1 3/4" Door
- ▶ Gray Primer (GPZ) Powder Coat Finish

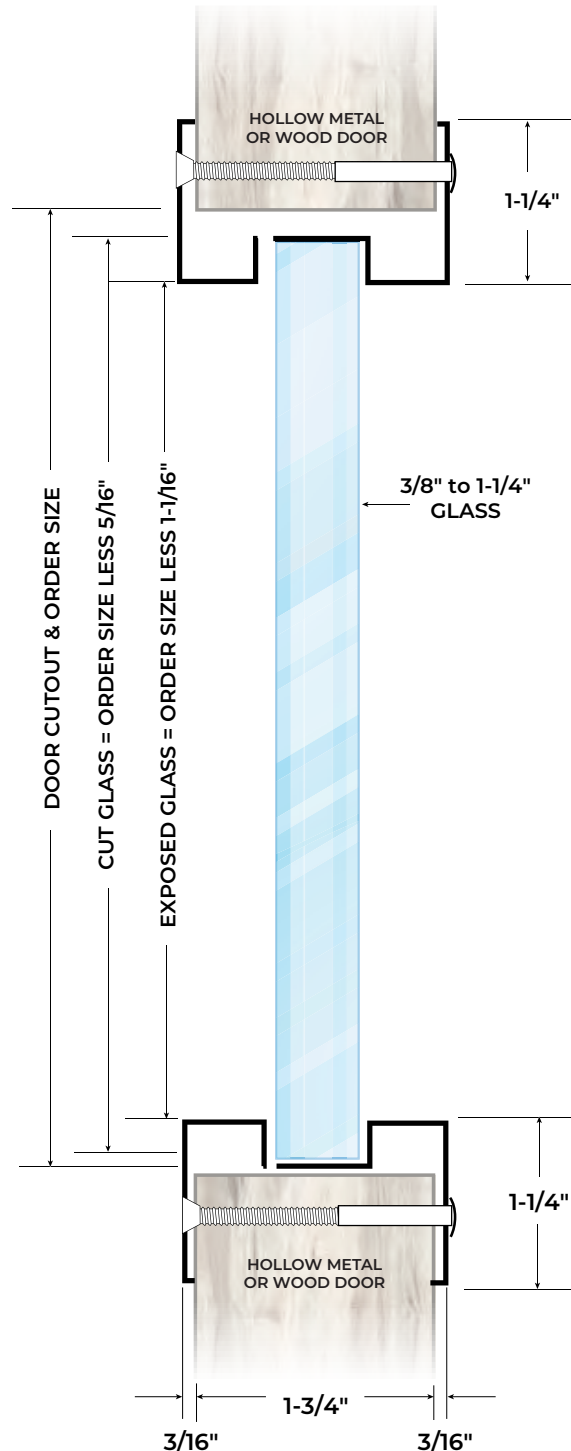
Required Information

- ▶ Specify Glass Thickness

Available Options

- ▶ Powder Coat Color Options - See Page L3
- ▶ False Mullion Bars - See Page L13
- ▶ Torx Security Thru-Bolts
- ▶ Galvanneal - A40 Steel
- ▶ Zinc Electroplating
- ▶ Glass & Glazing Tape - See Glass Section
- ▶ Lead Lining - 1/16" Thick

Door Prep Requires Square Cut Corners



Not To Scale

Designed for Use on 1 3/4" Thick Doors Manufactured Within Door Industry Tolerance of +/- 1/16"

L-SG100

SELF-ATTACHING SECURITY GRILLE LITE KIT



*Up to 90 Minutes

FOR VARIABLE DOOR AND/OR GLASS THICKNESS

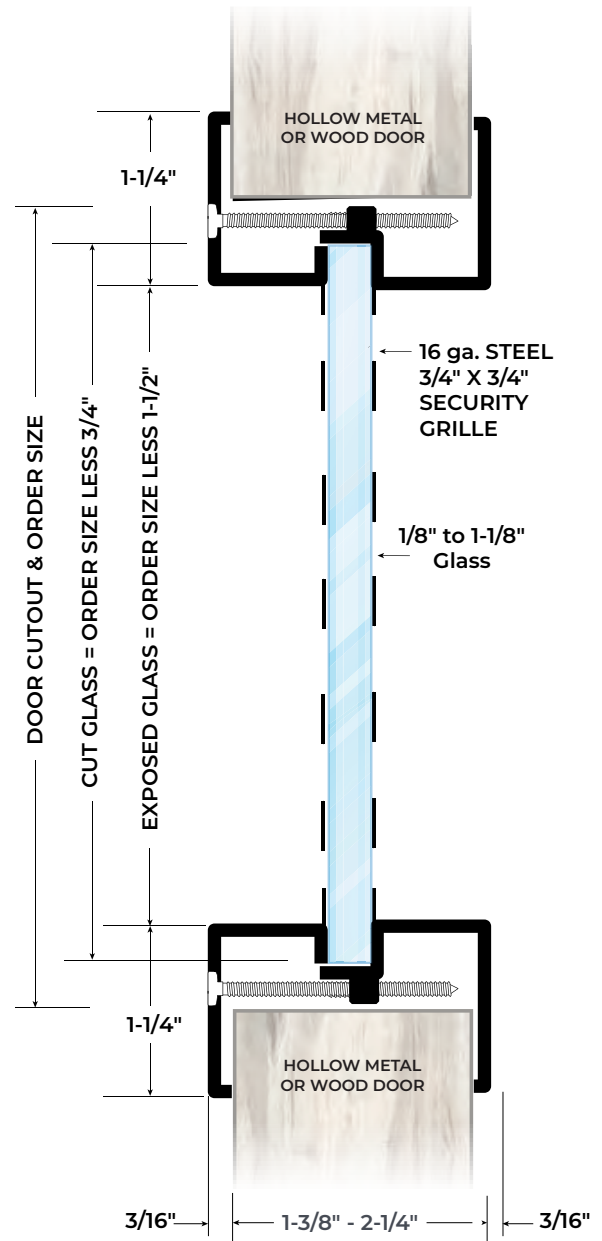
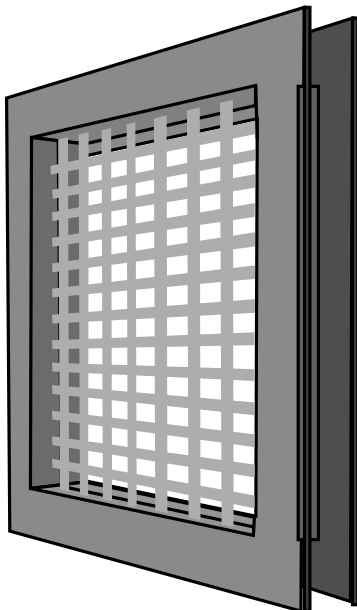
- ▶ 18 Ga. Cold Rolled Steel
- ▶ 16 Ga. Steel $\frac{3}{4}$ " x $\frac{3}{4}$ " Security Grille Welded on Both Sides
- ▶ Mitered and Welded Corners
- ▶ Welded Reinforcing Clips at Corners
- ▶ Countersunk Mounting Screw-Holes
- ▶ #6 Phillips Truss Head Screws
- ▶ Gray Primer (GPZ) Powder Coat Finish

Required Information

- ▶ Specify Glass Thickness on Order
- ▶ Specify Door Thickness on Order if Other Than $1\frac{3}{4}$ " -See Page L19 for Available Sizes

Available Options

- ▶ Powder Coat Color Options - See Page L3
- ▶ False Mullion Bars - See Page L13
- ▶ Torx Security Screws
- ▶ Galvanneal - A40 Steel
- ▶ Zinc Electroplating
- ▶ Glass & Glazing Tape - See Glass Section
- ▶ Lead Lining - $\frac{1}{16}$ " Thick



Not To Scale

Designed for Use on $1\frac{3}{4}$ " Thick Doors Manufactured Within Door Industry Tolerance of $\pm\frac{1}{16}$ ".

L-SG100-TB

THRU-BOLTED SECURITY GRILLE LITE KIT



*Up to 90 Minutes

FOR 1 3/4" THICK DOORS AND VARIABLE GLASS THICKNESS

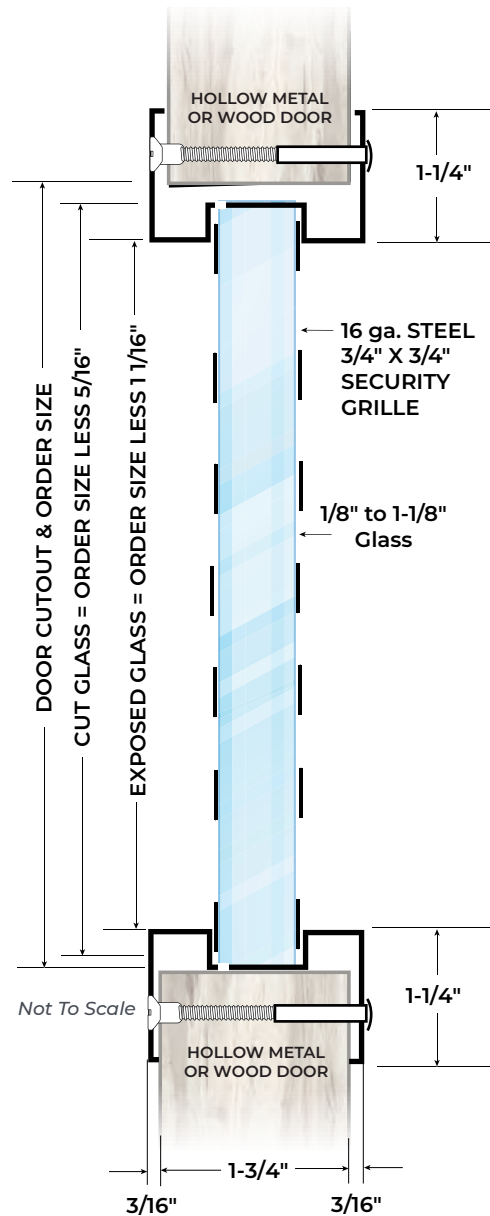
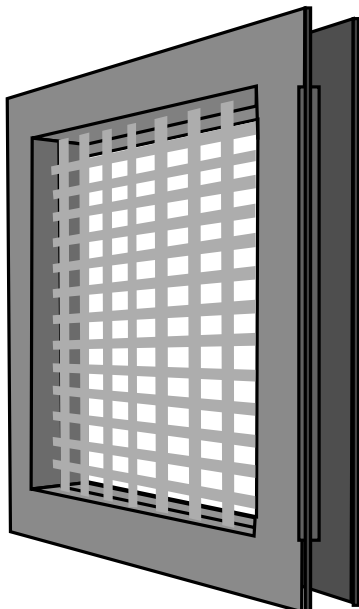
- ▶ 18 Ga. Cold Rolled Steel
- ▶ 16 Ga. Steel 3/4" x 3/4" Security Grille Welded in Both Sides
- ▶ Mitered and Welded Corners
- ▶ Welded Reinforcing Clips at Corners
- ▶ Countersunk Mounting Screw-Holes
- ▶ Thru-Bolts for 1 3/4" Door
- ▶ Gray Primer (GPZ) Powder Coat Finish

Required Information

- ▶ Specify Glass Thickness on Order
- ▶ See page L15 for available sizes

Available Options

- ▶ Powder Coat Color Options - See Page L3
- ▶ False Mullion Bars - See Page L13
- ▶ Torx Security Thru-Bolts
- ▶ Galvanneal - A40 Steel
- ▶ Zinc Electroplating
- ▶ Glass & Glazing Tape - See Glass Section
- ▶ Lead Lining - 1/16" Thick



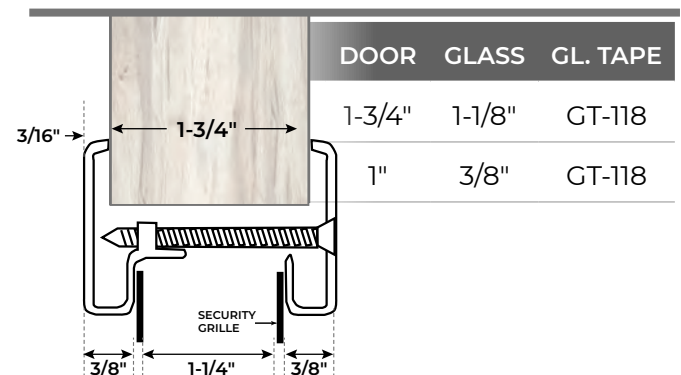
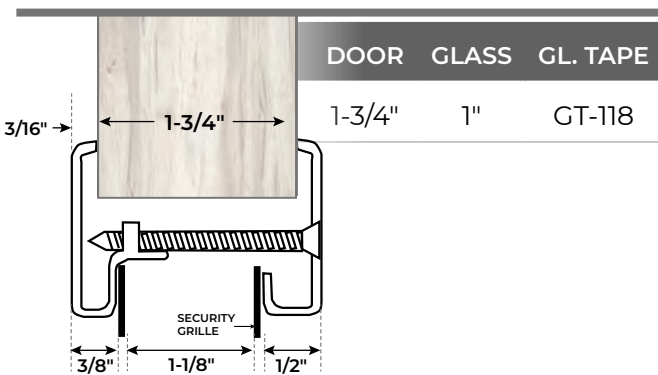
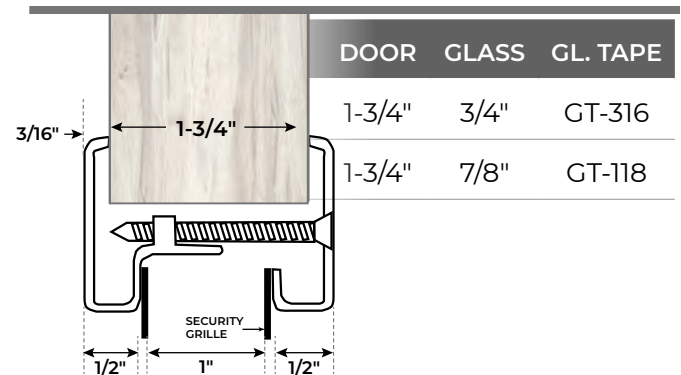
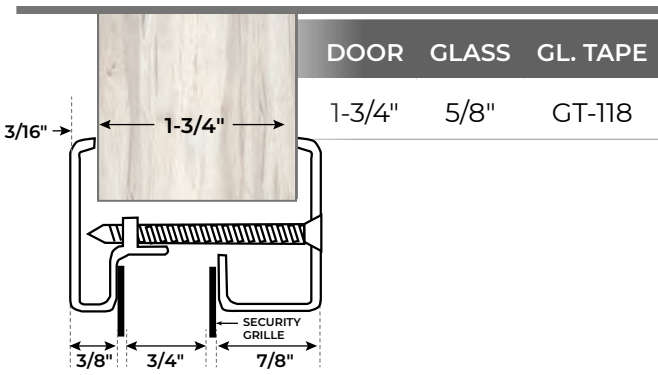
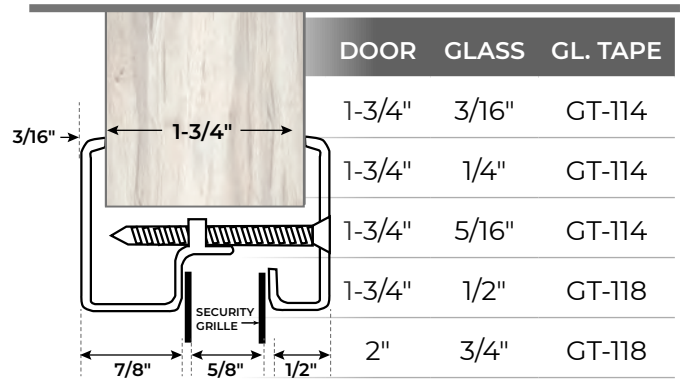
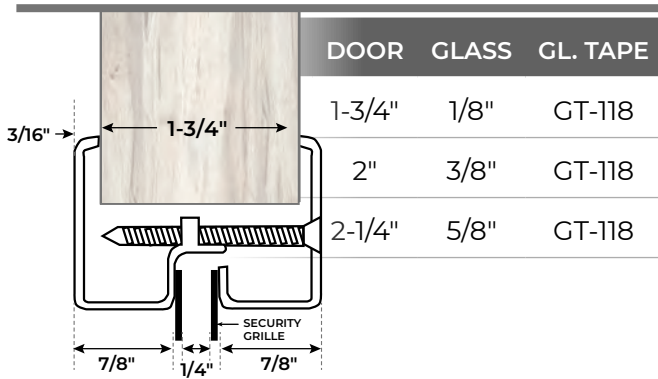
Not To Scale

Designed for Use on 1 3/4" Thick Doors Manufactured Within Door Industry Tolerance of +/- 1/16".

L-SG100 AND L-SG100-TB

GLASS AND DOOR COMBINATIONS—SECURITY GRILLE

- Details Shown are for 1 3/4" Door Thickness
- Only Configurations Shown are Available
- Thru-Bolts Available for 1 3/4" Thick Doors Only



L-CVFM-SS

STAINLESS STEEL LITE KIT

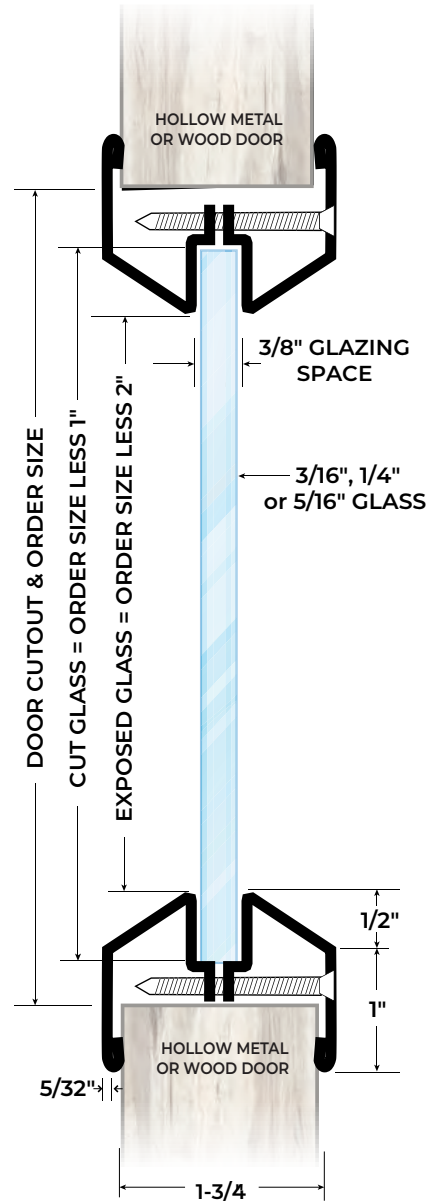


FOR 1 3/4" THICK DOORS AND 3/16", 1/4", OR 5/16" GLASS

- ▶ 18 Ga. Type 304 Stainless Steel
- ▶ Mitered and Welded Corners
- ▶ Countersunk Mounting Screw-Holes
- ▶ Available in Uneven and Fractional Sizes
- ▶ #8 X 1 3/4" Phillips Head SMS
- ▶ #4 Satin Finish

Available Options

- ▶ 18 Ga. Type 316 Stainless Steel –
Specify L-CVFM-316SS
- ▶ Torx Security Screws
- ▶ Glass & Glazing Tape - See Glass Section
- ▶ Lead Lining - 1/16" Thick



Not To Scale

Designed for Use on 1 3/4" Thick Doors Manufactured
Within Door Industry Tolerance of +/- 1/16".

L-CVFM-SS-SP

STAINLESS STEEL LITE KIT



FOR VARIABLE DOOR AND/OR GLASS THICKNESS

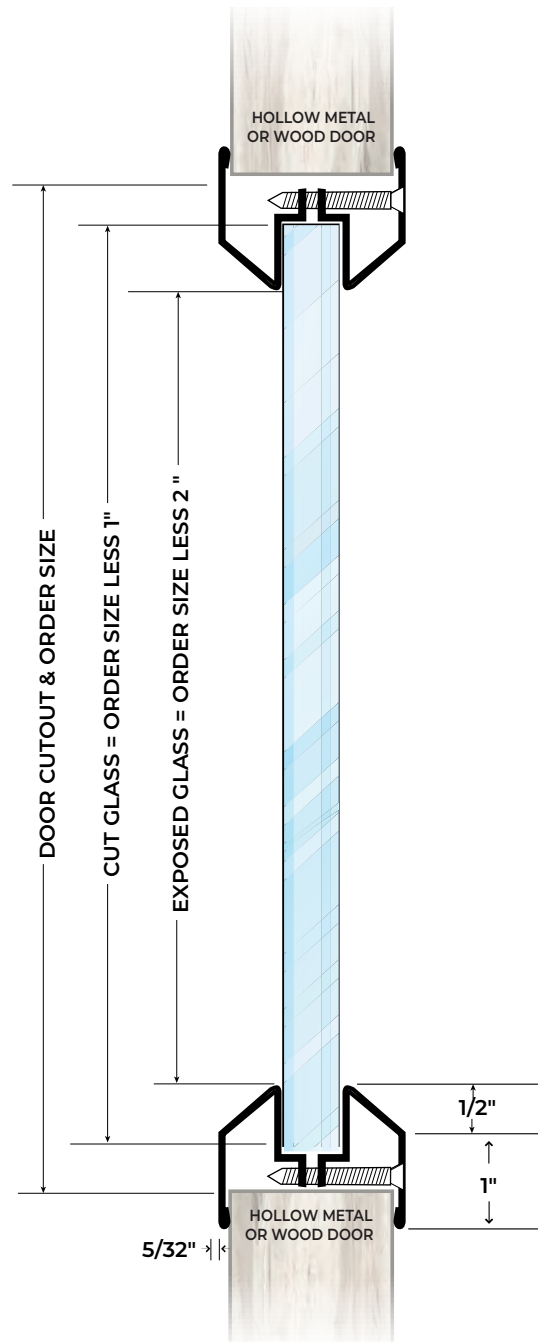
- ▶ 18 Ga. Type 304 Stainless Steel
- ▶ Mitered and Welded Corners
- ▶ Welded Reinforcing Clips at Corners
- ▶ Countersunk Mounting Screw-Holes
- ▶ Available in Uneven and Fractional Sizes
- ▶ #8 Phillips Head SMS
- ▶ #4 Satin Finish

Required Information

- ▶ Specify Glass Thickness on Order
- ▶ Specify Door Thickness on Order if Other Than $1\frac{3}{4}$ "

Available Options

- ▶ 18 Ga. Type 316 Stainless Steel –
Specify L-CVFM-316SS-SP
- ▶ Torx Security Screws
- ▶ Glass & Glazing Tape - See Glass Section
- ▶ Lead Lining - $\frac{1}{16}$ " Thick



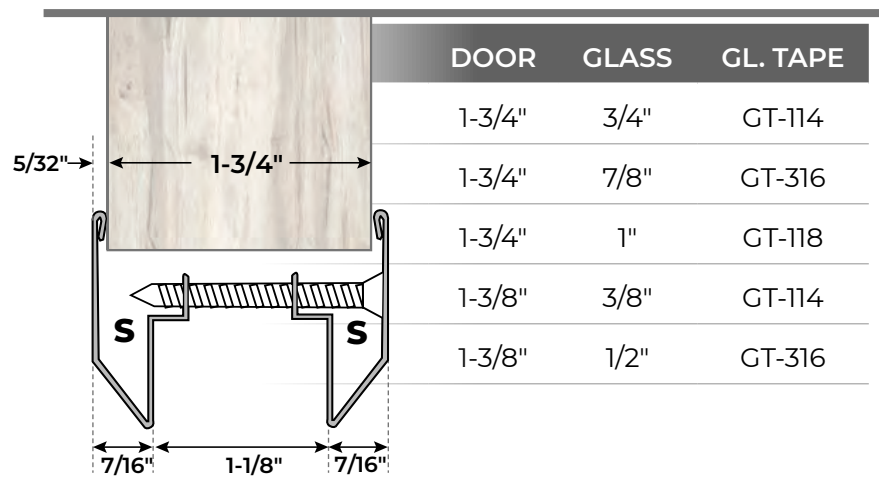
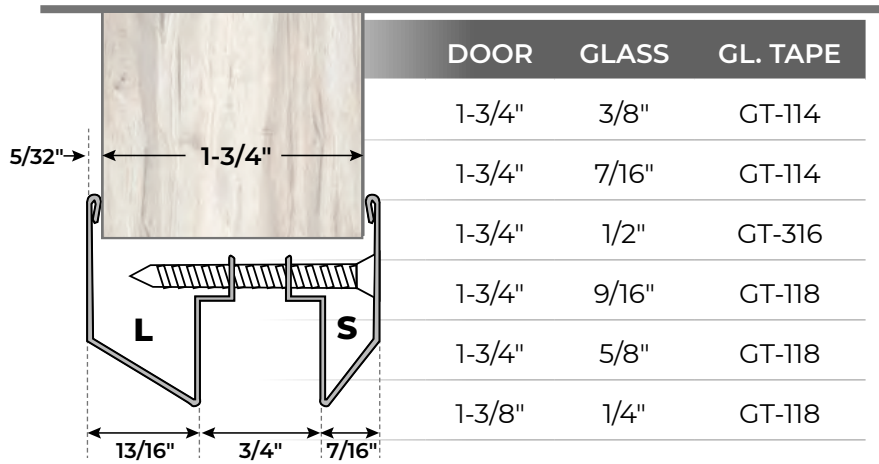
Not To Scale

Designed for Use on $1\frac{3}{4}$ " Thick Doors Manufactured
Within Door Industry Tolerance of $\pm \frac{1}{16}$ ".

L-CVFM-SS-SP

GLASS AND DOOR COMBINATIONS

- Details Shown are for 1 3/4" Door Thickness
- Only Configurations Shown are Available



SG-10

THRU-BOLTED SECURITY LITE KIT

Anemostat
DOOR PRODUCTS



*Up to 90 Minutes

FOR 1 3/4" UP TO 2 1/4" THICK DOORS AND 3/16" UP TO 1 13/16" GLASS

- ▶ 10 Ga. Hot Rolled Pickled & Oiled Steel for Glass up to 1" Thick
- ▶ 12 Ga. Hot Rolled Pickled & Oiled Steel for Glass Over 1" Thick
- ▶ Mitered and Welded Corners
- ▶ Countersunk Mounting Screw-Holes
- ▶ #8-32 Torx Security Pin Screw Thru-Bolts
- ▶ Gray Primer (GPZ) Powder Coat Finish

Required Information

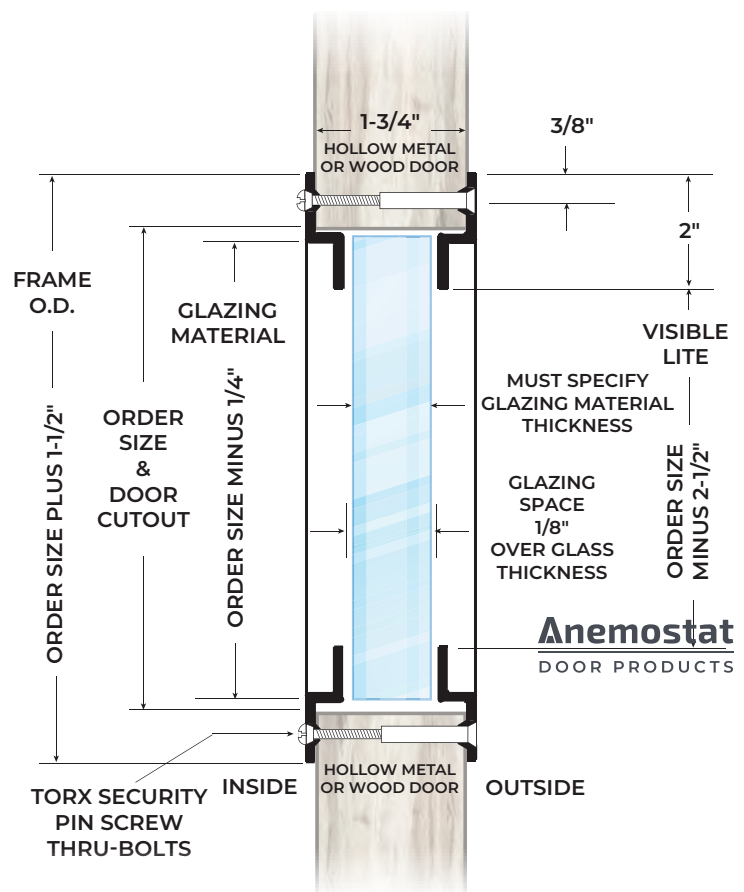
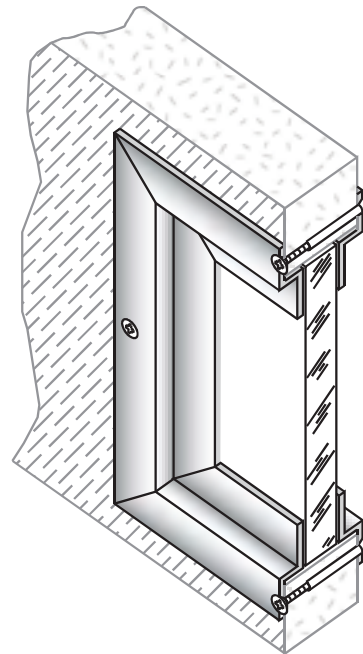
- ▶ Specify Door Thickness if Other Than 1 3/4"
- ▶ Specify Glass Thickness
- ▶ Refer to Page L24 for Specialty Profiles and Important Order Information:
Cut-Out Plus 1/2" = Order Size

Available Options

- ▶ Powder Coat Color Options - See Page L3
- ▶ Zinc Electroplating
- ▶ Glass & Glazing Tape - See Glass Section
- ▶ Stainless Steel Type 316, #4 Finish -
Specify SG-10-316SS

Ballistic Rated

- ▶ UL752 Level III as Tested/Certified by Door Manufacturers in Ballistic Rated Doors



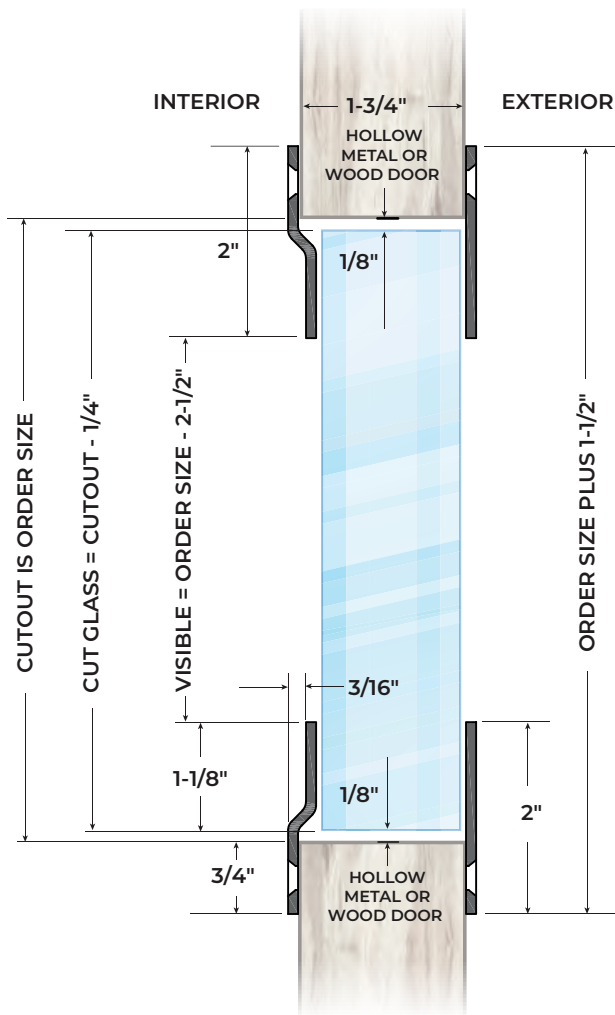
Not To Scale

Designed for Use on Doors Manufactured Within Door Industry Tolerance of +/- 1/16".

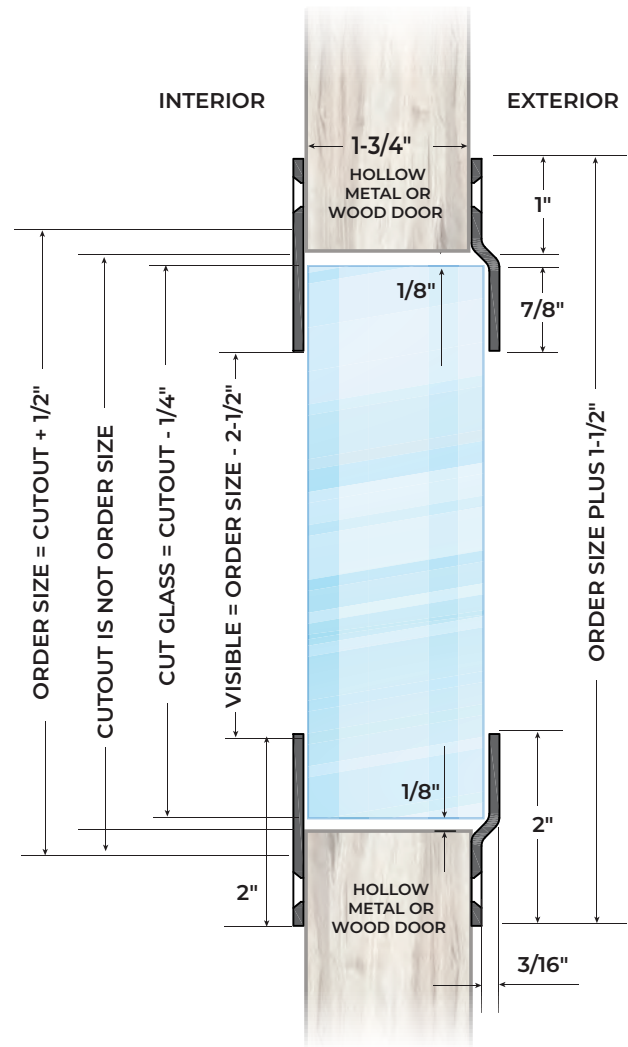
SG-10

SPECIALTY PROFILES

- ▶ Details Shown are for $1\frac{3}{4}$ " Door Thickness
- ▶ Only Configurations Shown are Available for These Glass Thicknesses



- ▶ $1\frac{7}{16}$ " Glass Thickness
- ▶ Specified in Steelcraft Hurricane/60 Min. Fire-Rated Doors
- ▶ Cut-Out = Order Size



- ▶ $1\frac{13}{16}$ " Glass Thickness
- ▶ Specified in Steelcraft Hurricane/90 Min. Fire-Rated Doors
- ▶ Cut-Out Plus $\frac{1}{2}$ " = Order Size



*Up to 90 Minutes

FOR 3/4" AND THICKER DOORS

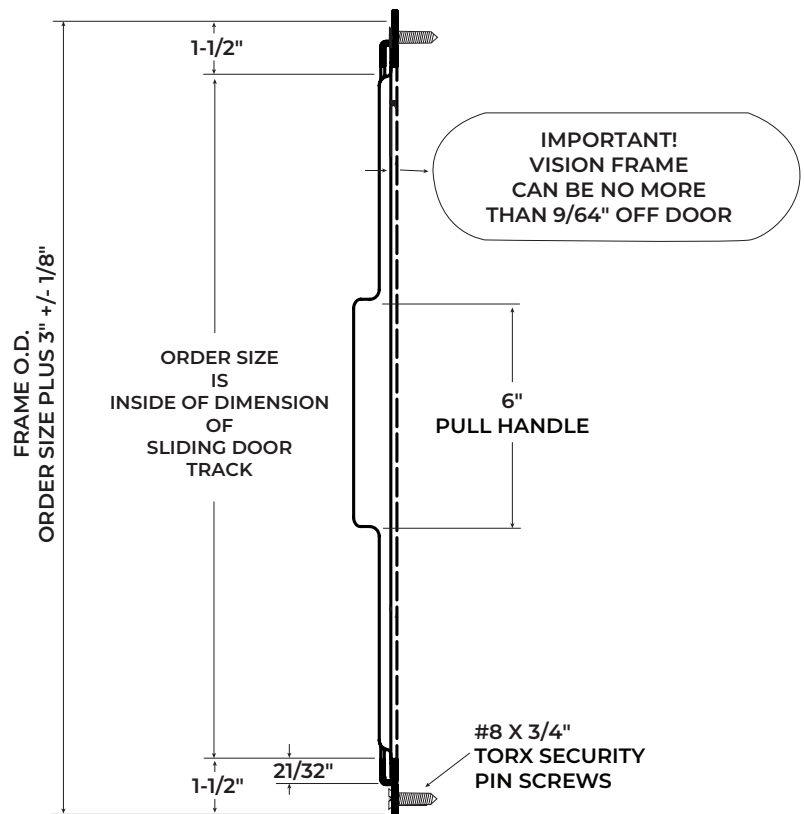
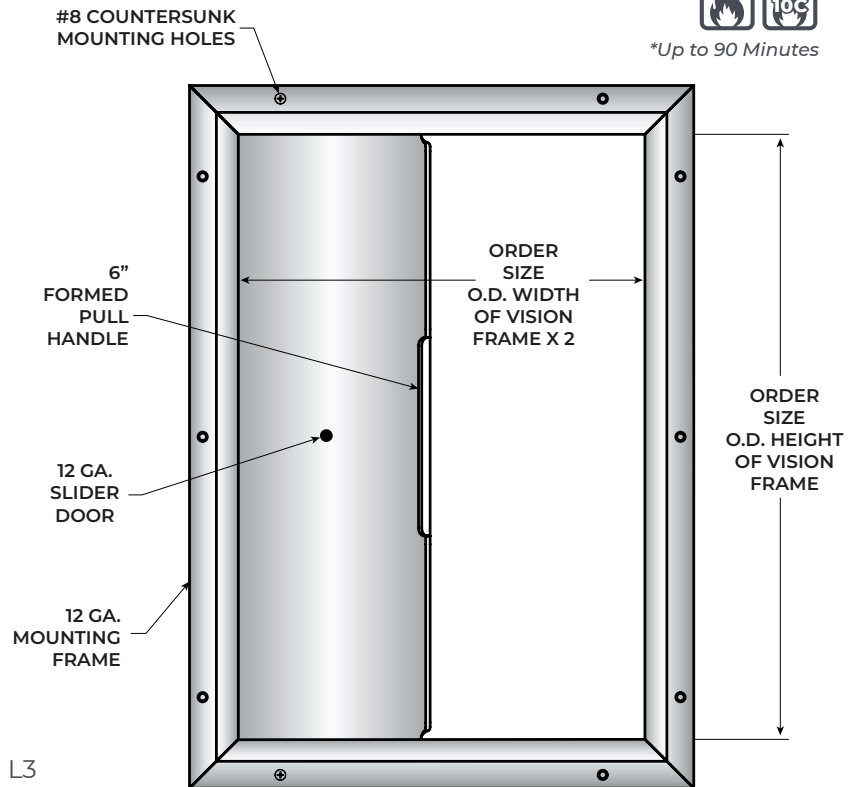
- 12 Ga. Hot Rolled Pickled & Oiled Steel Channel Frame and Sliding Door with Formed Pull Handle
- Mitered and Welded Corners
- Countersunk Mounting Screw-Holes
- #8 x 3/4" Torx Security Pin Screws
- Gray Primer (GPZ) Powder Coat Finish

Order Size

- Width = Outside Dimension of Vision Frame/Light Kit x 2
- Height = Outside Dimension of Vision Frame/Lite Kit
- Refer to order forms on ngp.com

Available Options

- Powder Coat Color Options - See Page L3
- Stainless Steel Type 316, #4 Finish – Specify SSD-316SS



Not To Scale

Designed for Use on Doors Manufactured Within Door Industry Tolerance of +/- 1/16\".

LO-PRO-SSD

LOW PROFILE LITE KIT WITH SECURITY SLIDING DOOR

Anemostat
DOOR PRODUCTS



*Up to 90 Minutes

FOR 1 3/4" THICK DOORS AND 3/16" OR 1/4" GLASS

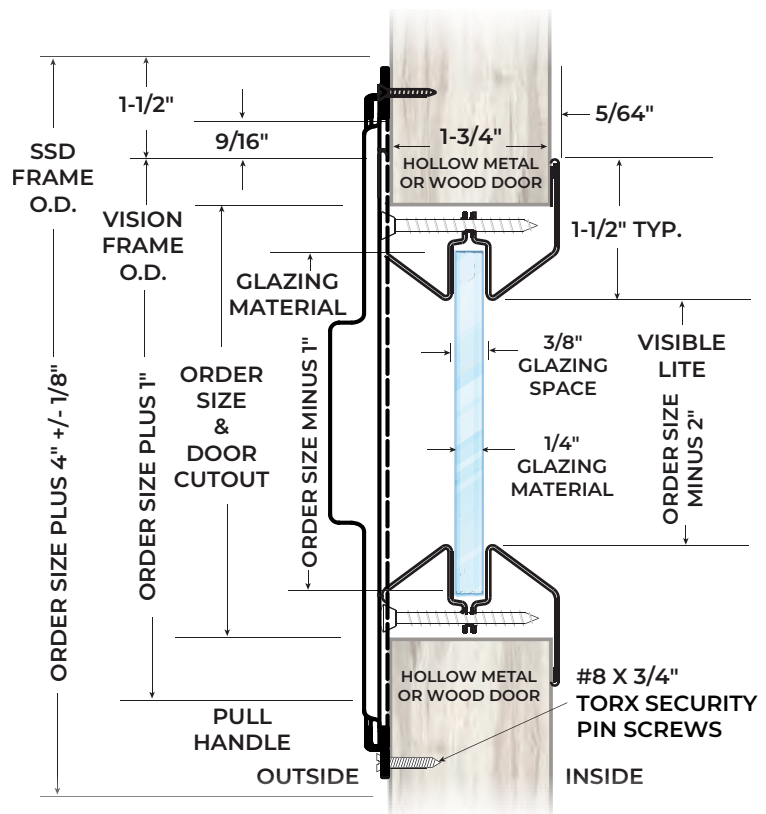
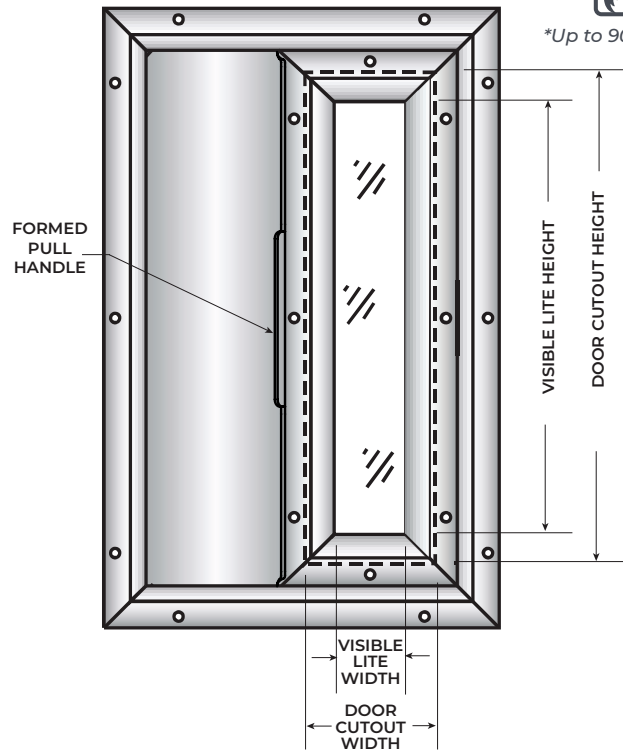
- ▶ 20 Ga. Cold Rolled Steel Lo-Pro Kit
- ▶ 12 Ga. Hot Rolled Pickled & Oiled Steel SSD Channel Frame and Sliding Door with Formed Pull Handle
- ▶ Mitered and Welded Corners
- ▶ Countersunk Mounting Screw-Holes
- ▶ Lo-Pro Kit: #8 x 1 3/4" Torx Security Pin Screws
SSD: #8 x 3/4" Torx Security Pin Screws
- ▶ Gray Primer (GPZ) Powder Coat Finish

Required Information

- ▶ Order Size = Door Cutout Size

Available Options

- ▶ Powder Coat Color Options - See Page L3
- ▶ Electrogalvanized Steel (Lo-Pro Portion Only)
- ▶ Zinc Electroplating (SSD Zinc-EL Only)



Not To Scale

Designed for Use on Doors Manufactured
Within Door Industry Tolerance of +/- 1/16"

SG-10-SSD

THRU-BOLTED SECURITY LITE KIT WITH SECURITY SLIDING DOOR

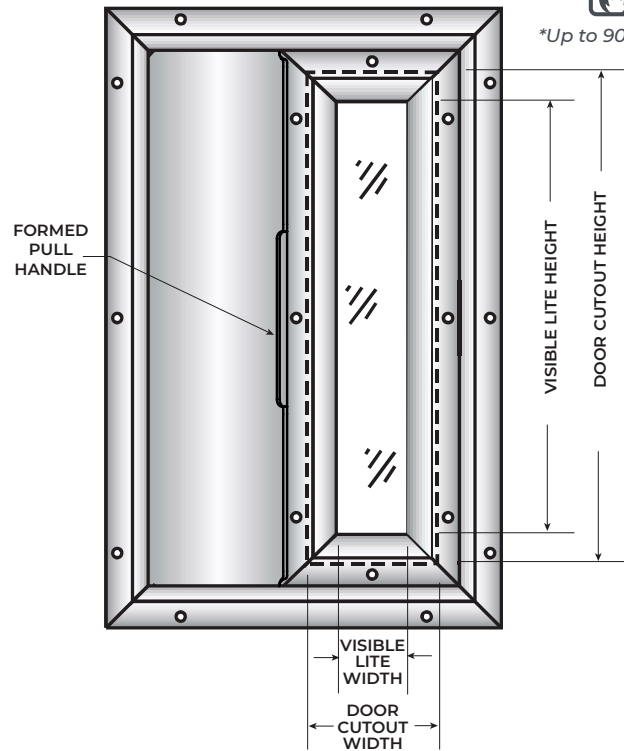
Anemostat
DOOR PRODUCTS



*Up to 90 Minutes

FOR 1 3/4" UP TO 2 1/4" THICK DOORS AND 3/16" UP TO 1 13/16" GLASS

- 10 Ga. Hot Rolled Pickled & Oiled Steel SG-10 Kit for Glass up to 1" Thick
- 12 Ga. Hot Rolled Pickled & Oiled Steel SG-10 Kit for Glass Over 1" Thick
- 12 Ga. Hot Rolled Pickled & Oiled Steel SSD Channel Frame and Sliding Door with Formed Pull Handle
- Countersunk Mounting Screw-Holes
- SG-10 Kit: #8-32 Torx Security Pin Screw Thru-Bolts
SSD: #8 x 3/4" Torx Security Pin Screws
- Gray Primer (GPZ) Powder Coat Finish

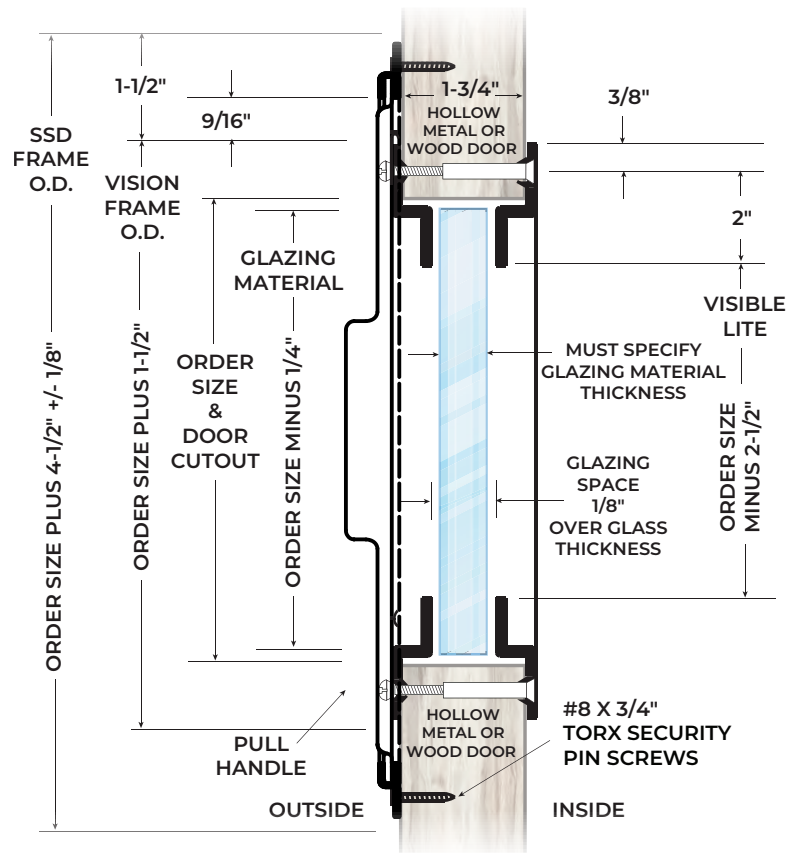


Required Information

- Specify Door Thickness if Other Than 1 3/4"
- Specify Glass Thickness
- Order Size = Door Cutout Size

Available Options

- Powder Coat Color Options - See Page L3
- Zinc Electroplating
- Stainless Steel Type 316, #4 Finish - Specify SG-10-SSD-316SS



Not To Scale

Designed for Use on Doors Manufactured Within Door Industry Tolerance of +/- 1/16".

BR-7

THRU-BOLTED SECURITY LITE KIT

Anemostat
DOOR PRODUCTS



*Up to 90 Minutes

FOR 1 3/4" UP TO 2 1/4" THICK DOORS AND 3/16" UP TO 1 13/16" GLASS

- ▶ 7 Ga. Cold Rolled Steel Face Plate Outer Frame
- ▶ 10 Ga. Hot Rolled Pickled & Oiled Steel SG-10 Inside Frame for Glass up to 1" Thick
- ▶ 12 Ga. Hot Rolled Pickled & Oiled Steel SG-10 Inside Frame for Glass Over 1" Thick
- ▶ Countersunk Mounting Screw-Holes
- ▶ #8-32 Torx Security Pin Screw Thru-Bolts
- ▶ Gray Primer (GPZ) Powder Coat Finish

Required Information

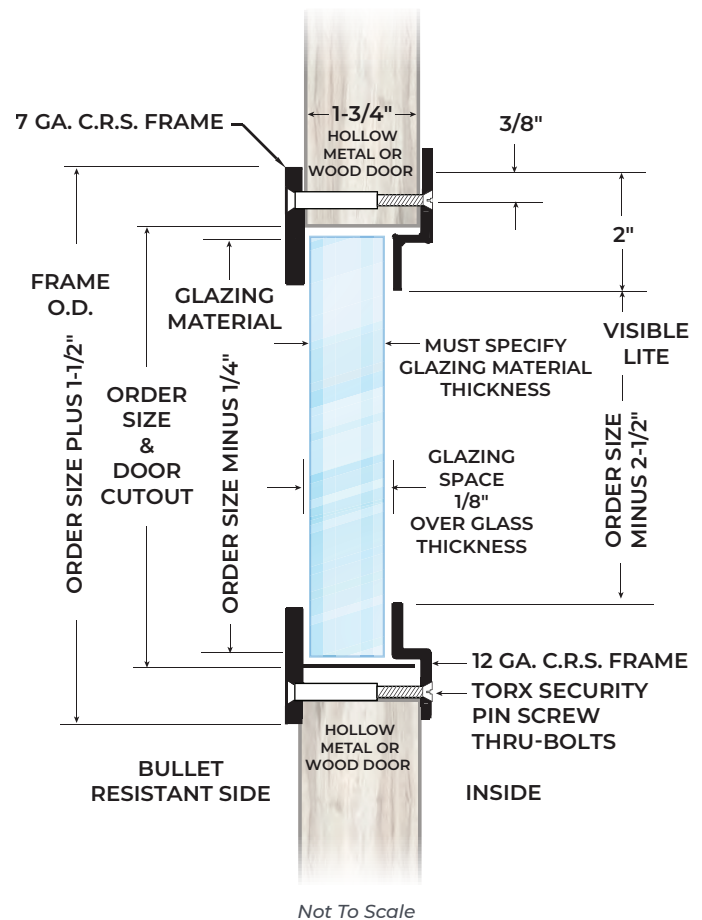
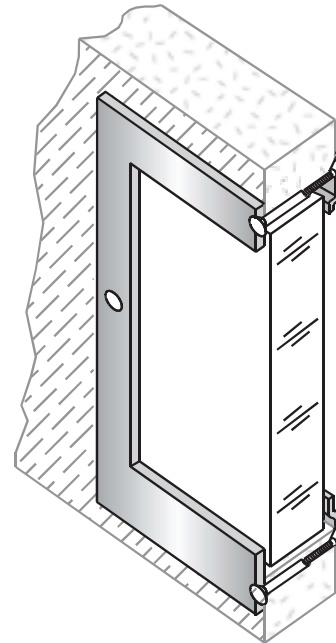
- ▶ Specify Door Thickness if Other Than 1 3/4"
- ▶ Specify Glass Thickness

Available Options

- ▶ Powder Coat Color Options - See Page L3
- ▶ Zinc Electroplating

Ballistic Rated

- ▶ UL752 Level III as Tested/Certified by Door Manufacturers in Ballistic Rated Doors



Designed for Use on Doors Manufactured Within Door Industry Tolerance of +/- 1/16".

STORM-PRO-HR

LOW-PROFILE HURRICANE-RATED LITE KIT

Anemostat
DOOR PRODUCTS

FOR 1 3/4" DOORS

- ▶ 18 Ga. Galvanneal A40 Steel
- ▶ Mitered and Welded Corners
- ▶ Countersunk Mounting Screw-Holes
- ▶ #8 X 1 3/4" Phillips Head SMS
- ▶ Maximum Order Size: 30' X 64"
- ▶ Available in Uneven and Fractional Sizes
- ▶ Gray Primer (GPZ) Powder Coat Finish
- ▶ 1/2" Laminated Glass: 2 pcs. 3/16" Clear Glass with Clear Bonded Laminate Center
- ▶ 5/8" x .090" Acrylic Conformable Foam Glazing Tape (Both Sides)

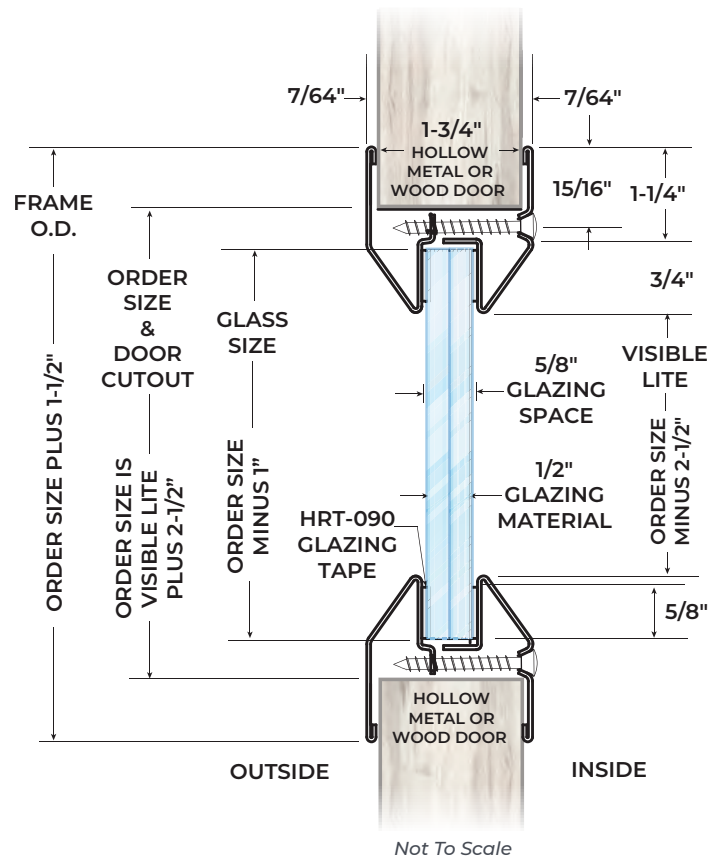
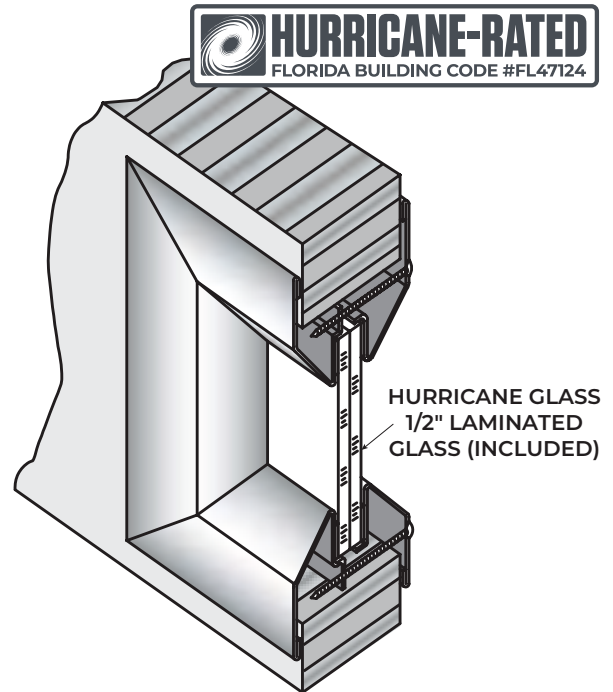
Available Options

- ▶ Powder Coat Color Options - See Page L3
- ▶ Torx Security Screws
- ▶ Zinc Electroplating

Hurricane-Rated

- ▶ Florida Building Code #FL47124
- ▶ Design Pressure = +/- 75 PSF
Missile level "D" and includes Wind Zone 4 as defined in ASTM E 1996 and FBC Sections 1609.1.2.2 & R301.2.1.2.1.
- ▶ Meets the water infiltration requirements for the "HVHZ."
- ▶ Maximum Size 30" x 64"
- ▶ Hazard - Hurricane

This Product is Not Rated for Use on Fire-Rated Doors



Designed for Use on Doors Manufactured Within Door Industry Tolerance of +/- 1/16\"/>

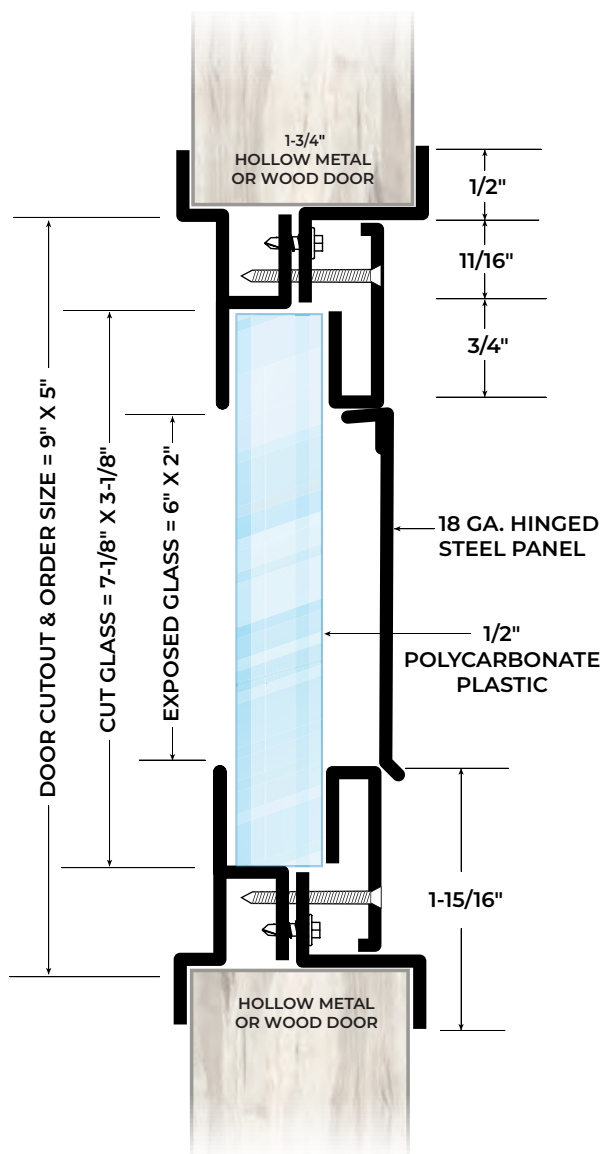
L-VGLF-WD

SECURITY LITE KIT - 9" X 5"

- ▶ 18 Ga. Cold Rolled Steel
- ▶ Mitered and Welded Corners
- ▶ For 1 $\frac{3}{4}$ " Hollow Metal or Wood Doors
- ▶ $\frac{1}{2}$ " Thick High Impact Polycarbonate Plastic
- ▶ 18 Ga. Steel Hinged Panel
- ▶ No Exposed Fasteners on Outside of Door
- ▶ Low-Profile Frame
- ▶ 6" X 2" Exposed Glass Size
- ▶ #8 X 1" Oval Head Tek Screws
- ▶ 2.8 Oz. Silicone Sealant Included
- ▶ Gray Primer (GPZ) Powder Coat Finish

Available Options

- ▶ Powder Coat Color Options - See Page L3
- ▶ Torx Security Screws
- ▶ Zinc Electroplating



Not To Scale

Designed for Use on 1 $\frac{3}{4}$ " Thick Doors Manufactured Within Door Industry Tolerance of $\pm \frac{1}{16}$ ".

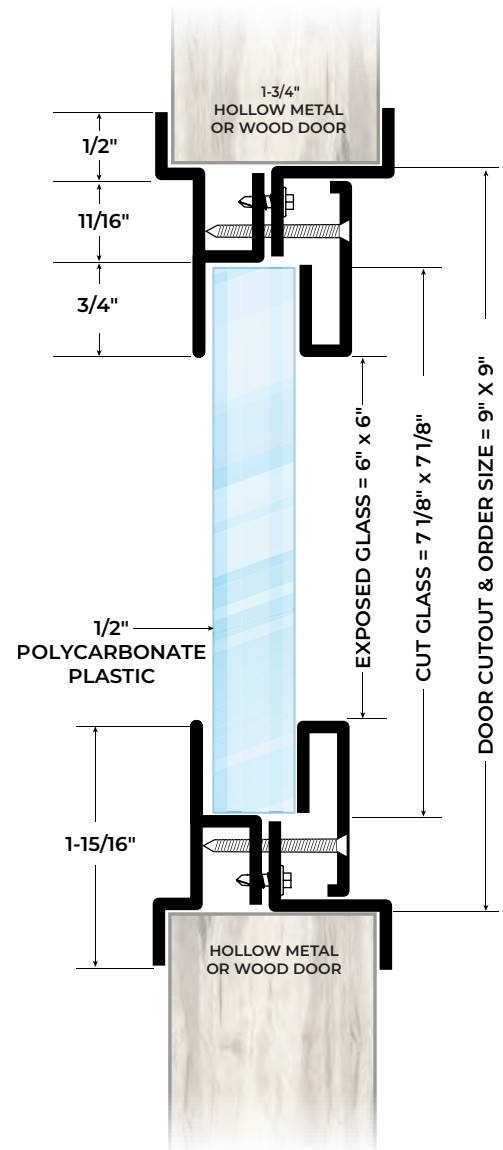
L-VGLF-PZ

SECURITY LITE KIT - 9" X 9"

- 18 Ga. Cold Rolled Steel
- Mitered and Welded Corners
- For 1 $\frac{3}{4}$ " Hollow Metal or Wood Doors
- $\frac{1}{2}$ " Thick High Impact Polycarbonate Plastic
- No Exposed Fasteners on Outside of Door
- Low-Profile Frame
- 6" X 6" Exposed Glass Size
- #8 X 1" Oval Head Tek Screws
- 2.8 Oz. Silicone Sealant Included
- Gray Primer (GPZ) Powder Coat Finish

Available Options

- Powder Coat Color Options - See Page L3
- Torx Security Screws
- Zinc Electroplating



Not To Scale

Designed for Use on 1 $\frac{3}{4}$ " Thick Doors Manufactured Within Door Industry Tolerance of $\pm \frac{1}{16}$ ".

L-VGLF-MD, L-VGLF-MDL

SECURITY LITE KIT

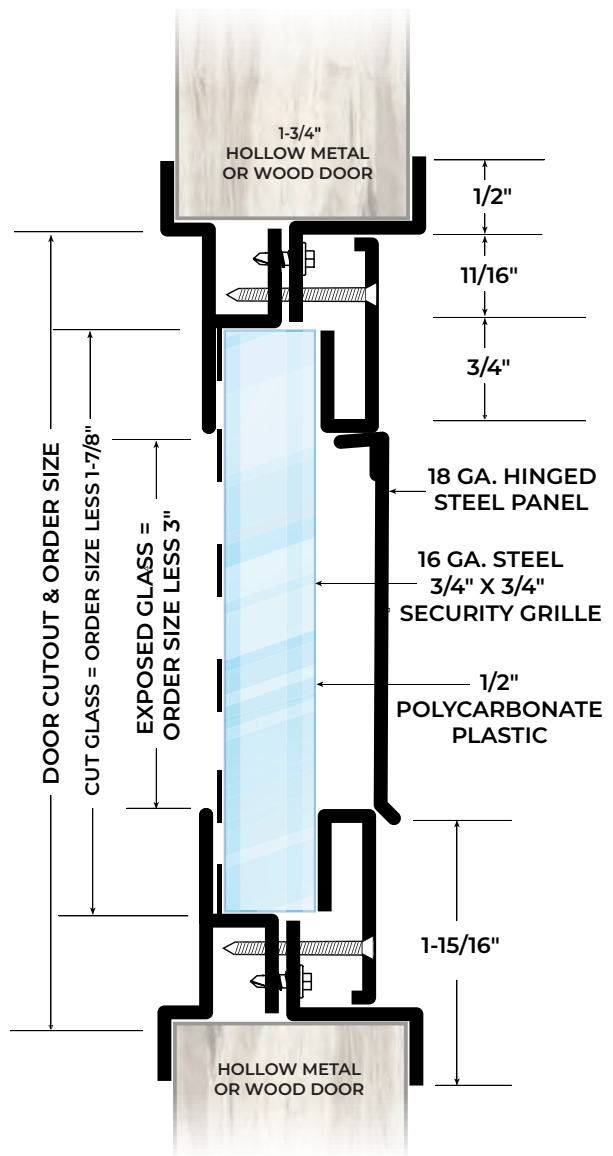
L-VGLF-MD (9" X 9")

L-VGLF-MDL (12" X 12")

- ▶ 18 Ga. Cold Rolled Steel
- ▶ Mitered and Welded Corners
- ▶ For 1 $\frac{3}{4}$ " Hollow Metal or Wood Doors
- ▶ $\frac{1}{2}$ " Thick High Impact Polycarbonate Plastic
- ▶ 16 Ga. Steel $\frac{3}{4}$ " x $\frac{3}{4}$ " Security Grille
- ▶ 18 Ga. Steel Hinged Panel
- ▶ No Exposed Fasteners on Outside of Door
- ▶ Low-Profile Frame
- ▶ 6" X 6" Exposed Glass Size on L-VGLF-MD
- ▶ 9" X 9" Exposed Glass Size on L-VGLF-MDL
- ▶ #8 X 1" Oval Head Tek Screws
- ▶ 2.8 Oz. Silicone Sealant Included
- ▶ Gray Primer (GPZ) Powder Coat Finish

Available Options

- ▶ Powder Coat Color Options - See Page L3
- ▶ Torx Security Screws
- ▶ Zinc Electroplating



Not To Scale

Designed for Use on 1 $\frac{3}{4}$ " Thick Doors Manufactured Within Door Industry Tolerance of +/- $\frac{1}{16}$ ".

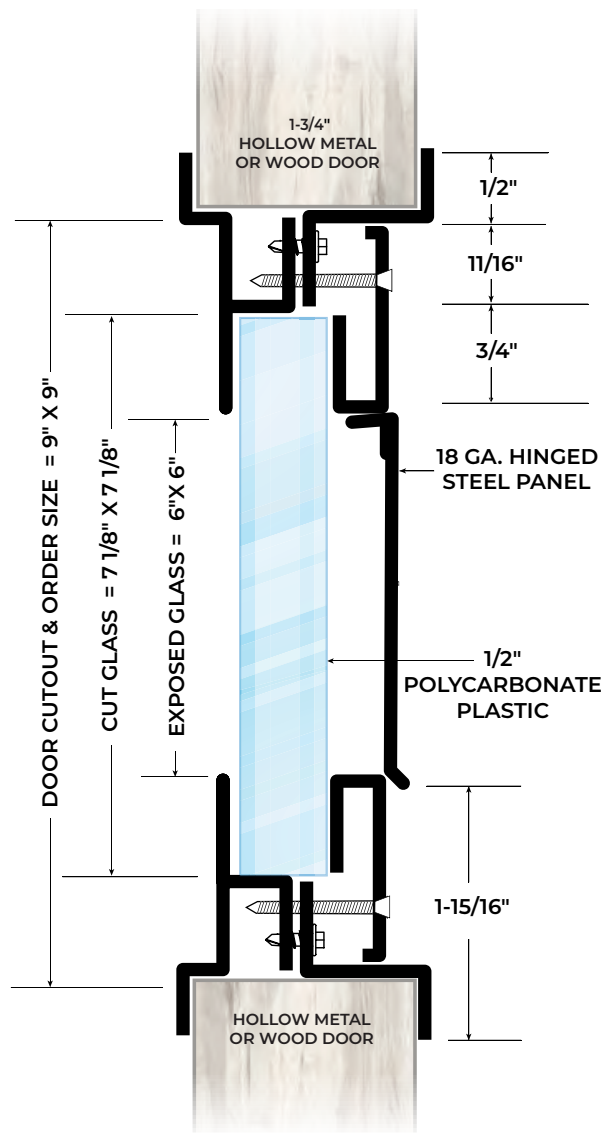
L-VGLF-OG

SECURITY LITE KIT - 9" X 9"

- 18 Ga. Cold Rolled Steel
- Mitered and Welded Corners
- For 1 $\frac{3}{4}$ " Hollow Metal or Wood Doors
- $\frac{1}{2}$ " Thick High Impact Polycarbonate Plastic
- 18 Ga. Steel Hinged Panel
- No Exposed Fasteners on Outside of Door
- Low-Profile Frame
- 6" X 6" Exposed Glass Size
- #8 X 1" Oval Head Tek Screws
- 2.8 Oz. Silicone Sealant Included
- Gray Primer (GPZ) Powder Coat Finish

Available Options

- Powder Coat Color Options - See Page L3
- Torx Security Screws
- Zinc Electroplating



Not To Scale

Designed for Use on 1 $\frac{3}{4}$ " Thick Doors Manufactured
Within Door Industry Tolerance of $\pm \frac{1}{16}$ ".

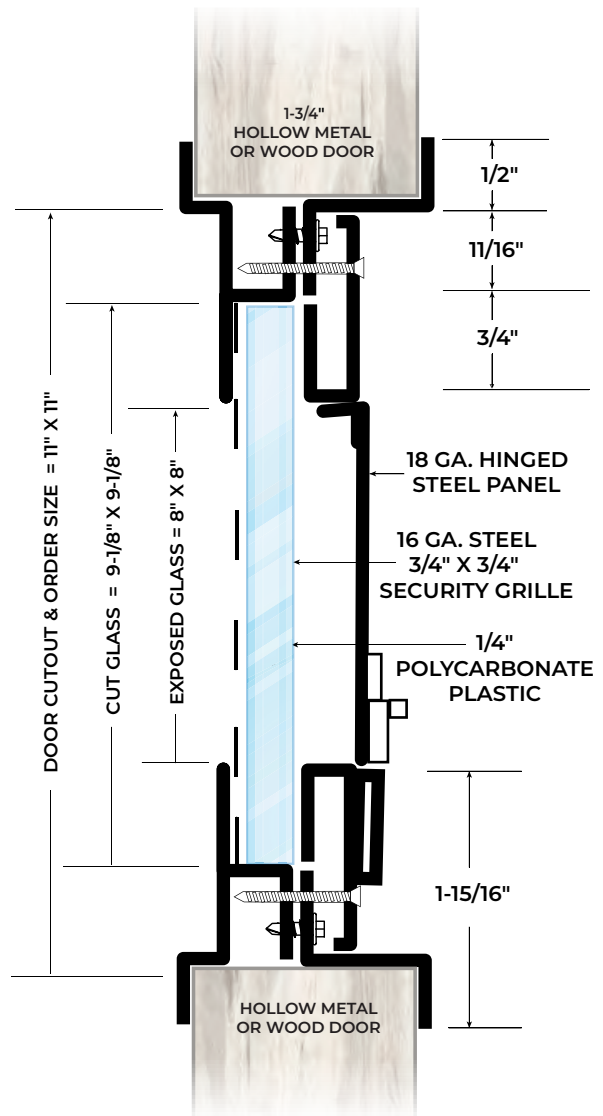
L-VGLF-SF

SECURITY LITE KIT - 11" X 11"

- 18 Ga. Cold Rolled Steel
- Mitered and Welded Corners
- For 1 $\frac{3}{4}$ " Hollow Metal or Wood Doors
- $\frac{1}{4}$ " Thick High Impact Polycarbonate Plastic
- 16 Ga. Steel $\frac{3}{4}$ " x $\frac{3}{4}$ " Security Grille
- 18 Ga. Steel Hinged Panel With Bolt Latch
- No Exposed Fasteners on Outside of Door
- Low-Profile Frame
- 8" X 8" Exposed Glass Size
- #8 X $\frac{3}{4}$ " Oval Head Tek Screws
- 2.8 Oz. Silicone Sealant Included
- Gray Primer (GPZ) Powder Coat Finish

Available Options

- Powder Coat Color Options - See Page L3
- Torx Security Screws
- Zinc Electroplating



Not To Scale

Designed for Use on 1 $\frac{3}{4}$ " Thick Doors Manufactured Within Door Industry Tolerance of $\pm \frac{1}{16}$ ".

L-FRA100-RD

ROUND LITE KIT

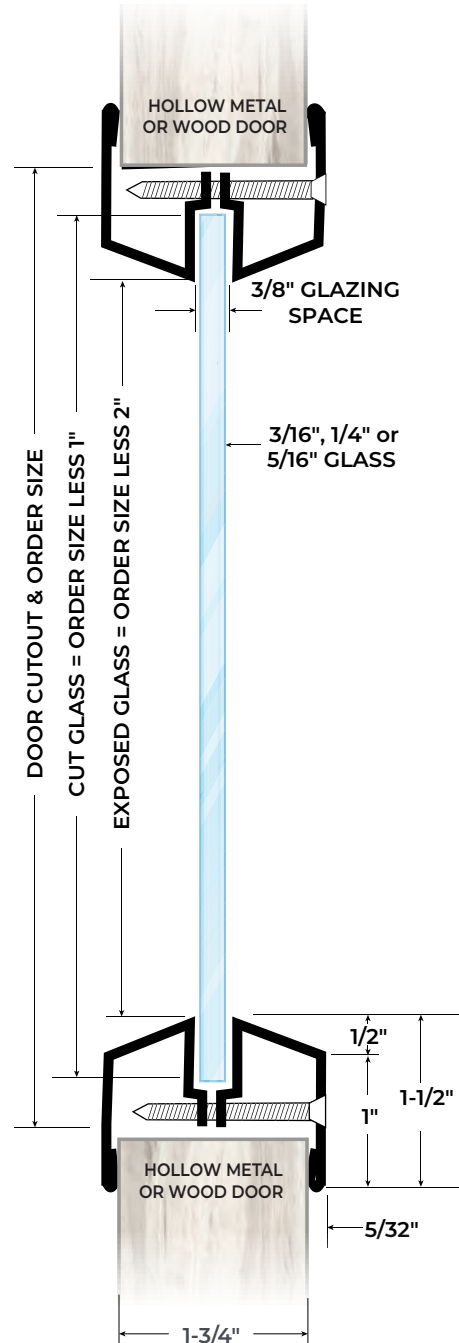


FOR 1 3/4" THICK DOORS AND 3/16", 1/4", OR 5/16" GLASS

- 20 Ga. Cold Rolled Steel (12" and 18")
- Available in 12", 18" and 24" Sizes
- 18 Ga. Cold Rolled Steel (24")
- Countersunk Mounting Screw-Holes
- #8 X 1 3/4" Phillips Head SMS
- Gray Primer

Available Options

- Powder Coat Color Options - See Page L3
- Torx Security Screws
- Zinc Electroplating
- Glass & Glazing Tape - See Glass Section



Not To Scale

Designed for Use on 1 3/4" Thick Doors Manufactured Within Door Industry Tolerance of +/- 1/16".

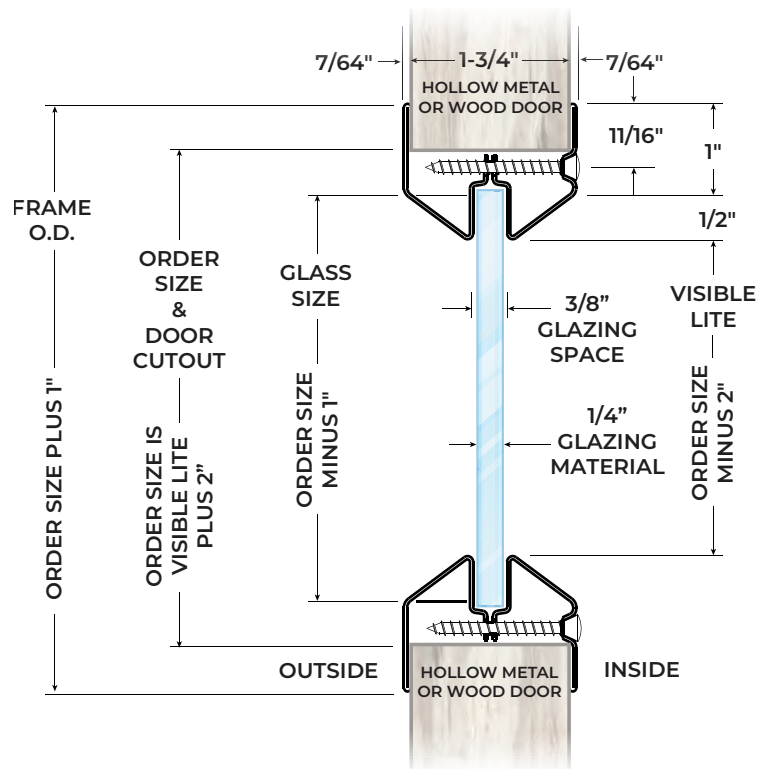
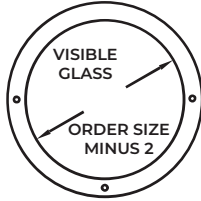
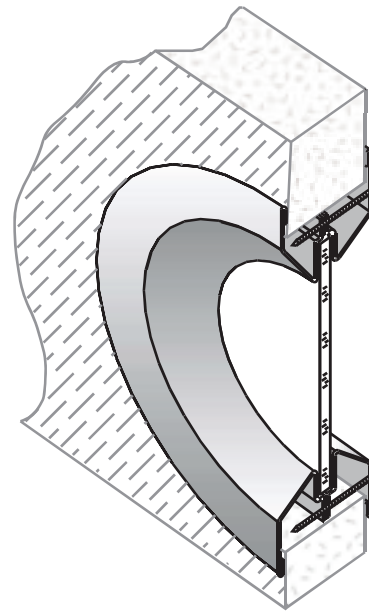


FOR 1 3/4" THICK DOORS AND 3/16", 1/4", OR 5/16" GLASS

- 20 Ga. Galvanized Steel
- Available in 12" and 18" Sizes
- Countersunk Mounting Screw-Holes
- #8 X 1 3/4" Phillips Head SMS
- Gray Primer

Available Options

- Powder Coat Color Options - See Page L3
- Torx Security Screws
- Zinc Electroplating
- Glass & Glazing Tape - See Glass Section



Not To Scale

Designed for Use on 1 3/4" Thick Doors Manufactured Within Door Industry Tolerance of +/- 1/16".

FOR 1 3/8" OR 1 3/4" THICK DOORS AND 3/16" TO 1" GLASS

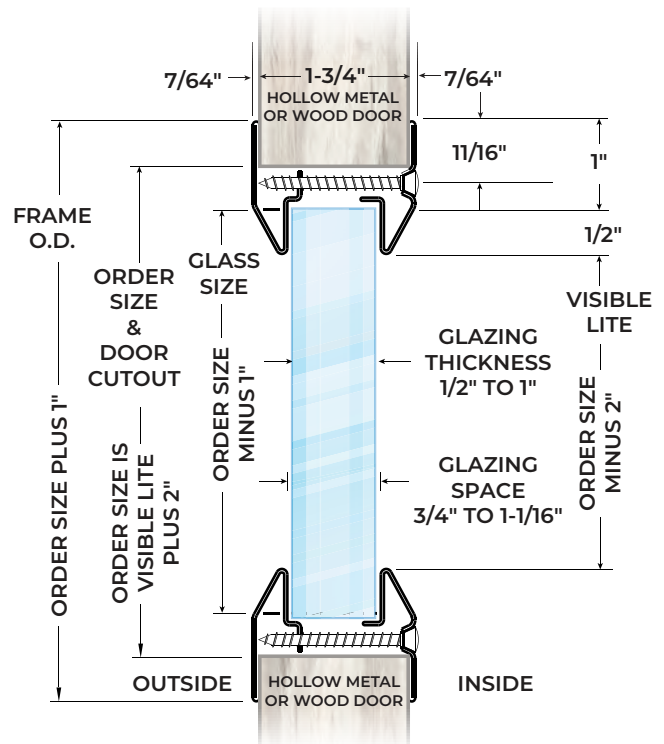
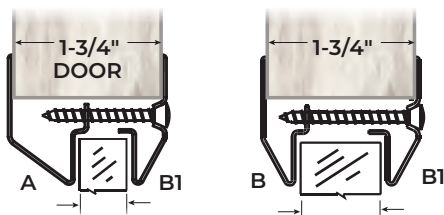
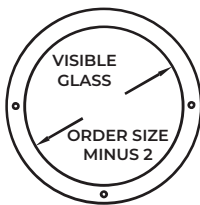
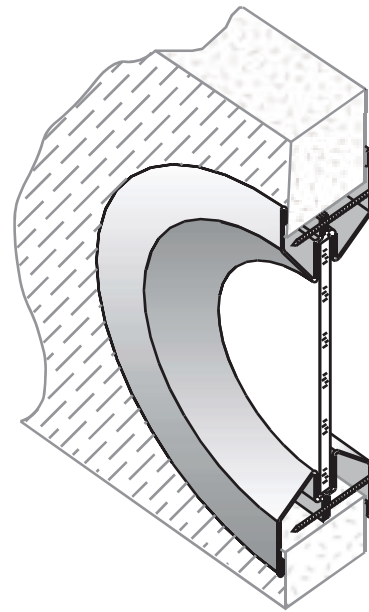
- 20 Ga. Galvanized Steel
- Available in 12" and 18" Sizes
- Countersunk Mounting Screw-Holes
- #8 X 1 3/4" Phillips Head SMS
- Gray Primer

Required Information

- Specify Glass Thickness on Order
- Specify Door Thickness on Order if Other Than 1 3/4"
- See Page L11 for Possible Door and Glass Thickness Combinations

Available Options

- Powder Coat Color Options - See Page L3
- Torx Security Screws
- Zinc Electroplating
- Glass & Glazing Tape - See Glass Section



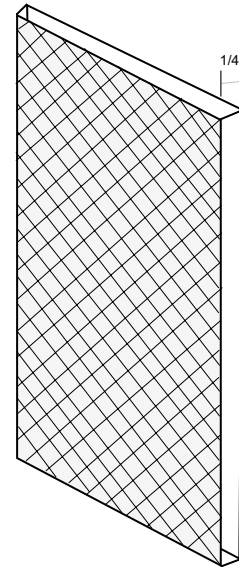
Not To Scale

Designed for Use on 1 3/4" Thick Doors Manufactured Within Door Industry Tolerance of +/- 1/16".

PROTECT3™

FIRE-PROTECTIVE SAFETY-WIRED GLASS

- ¼" (6mm) Thick
- Fits Standard L-FRA100 and L-GLF100 Lite Kits
- ¾" X ¾" Diamond Pattern Electrically Welded Steel Wire Mesh
- Heavy-Duty Fire-Rated and Impact-Safety Rated Film
- Maintains Integrity When Fractured or Subjected to a Hose Stream
- Etched With UL Classification on Each Piece
- Weight: 3.6 Lbs./Sq. Ft.
- STC 28 Rating



Fire-Rating Information

- Certified by UL to ANSI/UL 9, ANSI/UL10B, ANSI/UL10C, CAN/ULC-S104, ULC CAN4-S106 With Closed Cell PVC Foam Glazing Tape Like NGP L-GT-116, L-GT-118, L-GT-132 or L-GT-316

Rating	Application	Max. Visible Glass Area (Sq. Inches)	Max. Width Visible Glass	Max. Height Visible Glass
20, 45 Minute	Doors*, Borrowed Lites	1,296	54"	54"
60, 90 Minute	Doors*	100	12"	33"

*With Fire-Rated Glass Lite Kit

Impact Safety Rating Information

Meets ANSI Z97.1, Class A

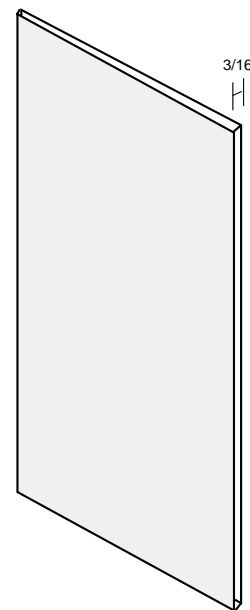
Meets CPSC 16CFR 1201 (Category I and II)

Complies With IBC Requirements for Use in Doors, Side-Lites, Transom Lites and Borrowed Lites

PYRAN® PLATINUM F

FIRE-PROTECTIVE SAFETY GLASS CERAMIC

- ▶ 3/16" (5mm) Thick Glass Ceramic
- ▶ Heavy-Duty 7 Mil Durable Safety Film
- ▶ Neutral Coloration - Clear and Wireless
- ▶ Advanced Manufacturing Process Eliminates the Need for Surface Polishing
- ▶ Etched With UL Classification on Each Piece
- ▶ 10-Year Manufacturer Warranty
- ▶ Weight: 2.5 Lbs./Sq. Ft.
- ▶ STC 31 Rating



Fire-Rating Information

- ▶ Certified by UL to ANSI/UL 9, ANSI/UL10B, ANSI/UL10C, CAN/ULC-S104, ULC CAN4-S106 With Closed Cell PVC Foam Glazing Tape Like NGP L-GT-116, L-GT-118, or L-GT-132
- ▶ IBC Applicable Edition May Limit Maximum Size Allowable

Rating	Application	Max. Visible Glass Area (Sq. Inches)	Max. Width Visible Glass	Max. Height Visible Glass
20, 45, 60, 90 Minute	Doors* (Non-Temp Rise)	3,708	37 3/4"	98 1/4"
20, 45, 60, 90 Minute	Side-Lites, Borrowed Lites, Transom Lites	4,933	98 1/4"	98 1/4"
180 Minute	Doors* Including Temp-Rise	100	12"	33"

*With Fire-Rated Glass Lite Kit

Impact Safety Rating Information

Meets ANSI Z97.1, Class A

Meets CPSC 16CFR 1201 (Category I and II)

Complies With IBC Requirements for Use in Doors, Side-Lites, Transom Lites and Borrowed Lites

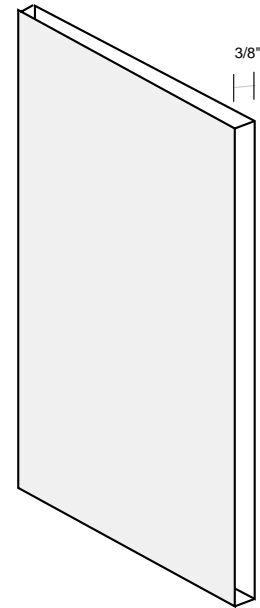
PYRAN® PLATINUM L

FIRE-PROTECTIVE SAFETY GLASS CERAMIC

- ▶ 3/8" (5mm) Thick Laminated Glass Ceramic
- ▶ Neutral Coloration - Clear and Wireless
- ▶ Advanced Manufacturing Process Eliminates the Need for Surface Polishing
- ▶ Etched With UL Classification on Each Piece
- ▶ 5-Year Manufacturer Warranty
- ▶ Weight: 4 Lbs./Sq. Ft.
- ▶ STC 36 Rating

Fire-Rating Information

- ▶ Certified by UL to ANSI/UL 9, ANSI/UL10B, ANSI/UL10C, CAN/ULC-S104, ULC CAN4-S106 With Closed Cell PVC Foam Glazing Tape Like NGP L-GT-116, L-GT-118, or L-GT-132
- ▶ IBC Applicable Edition May Limit Maximum Size Allowable



Rating	Application	Max. Visible Glass Area (Sq. Inches)	Max. Width Visible Glass	Max. Height Visible Glass
20, 45, 60, 90 Minute	Doors* (Non-Temp Rise)	2,736	36"	75"
20, 45, 60, 90 Minute	Side-Lites, Borrowed Lites, Transom Lites	3,143	75"	75"
180 Minute	Doors* Including Temp-Rise	100	12"	33"

*With Fire-Rated Glass Lite Kit

Impact Safety Rating Information

Meets ANSI Z97.1, Class A

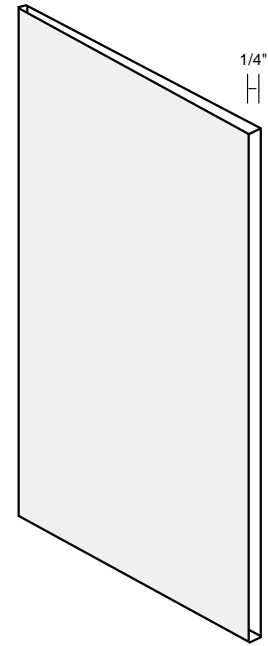
Meets CPSC 16CFR 1201 (Category I and II)

Complies With IBC Requirements for Use in Doors, Side-Lites, Transom Lites and Borrowed Lites

20T

20-MINUTE FIRE-PROTECTIVE GLASS

- ▶ 1/4" Thick Tempered Fire-Rated Glass
- ▶ Superior Optical Clarity – Clear and Wireless
- ▶ Economical Fire and Safety Rated Glass
- ▶ Etched With Fire and Impact Safety Classification on Each Piece
- ▶ This Glass is Cut to Size Then Heat Treated (Tempered) to Achieve Its Safety Rating Properties
- ▶ Orders for this Product are Non-Changeable and Non-Cancellable
- ▶ Manufactured in USA
- ▶ Weight: 3 Lbs./Sq. Ft.
- ▶ STC 28 Rating



Fire-Rating Information

- ▶ Certified by UL to ANSI/UL10C, With Closed Cell PVC Foam Glazing Tape Like NGP L-GT-116, L-GT-118, L-GT-132, or L-GT-316

Rating	Application	Max. Visible Glass Area (Sq. Inches)	Max. Width Visible Glass	Max. Height Visible Glass
20 Minute No Hose Stream	Doors*	2,924	34"	86"

*With Fire-Rated Glass Lite Kit

Impact Safety Rating Information

Meets ANSI Z97.1, Class A

Meets CPSC 16CFR 1201 (Category I and II)

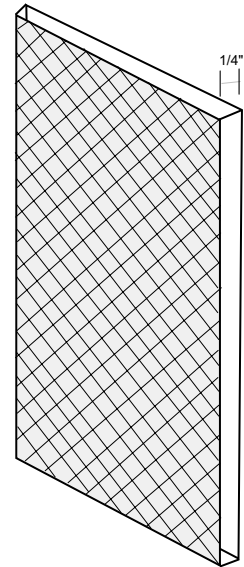
Complies With IBC Requirements for Use in Doors

FIRE-PROTECTIVE WIRED GLASS

- ▶ 1/4" (7mm) Thick
- ▶ 3/4" X 3/4" Diamond Pattern Electrically Welded Steel Wire Mesh
- ▶ Clear Glass - Ground and Polished Both Sides
- ▶ Maintains Integrity When Fractured or Subjected to a Hose Stream
- ▶ Etched With UL Classification on Each Piece
- ▶ Weight: 3 Lbs./Sq. Ft.
- ▶ STC 28 Rating

Fire-Rating Information

- ▶ Certified by UL to ANSI/UL10C: 20 min. With Closed Cell PVC Foam Glazing Tape Like NGP L-GT-116, L-GT-118, or L-GT-132
45, 60 & 90 Min. With NGP 9800C Intumescent Glazing Tape
- ▶ Certified by UL to ANSI/UL9 With Closed Cell PVC Glazing Tape Like NGP L-GT-116, L-GT-118, L-GT-132



Rating	Max. Visible Glass Area (Sq. Inches)	Max. Width Visible Glass	Max. Height Visible Glass
20, 45 Minute	1,296	54"	54"
60, 90 Minute	100	12"	33"

With Fire-Rated Glass Lite Kit

Impact Safety Rating Information

Meets ANSI Z97.1, Class C

Does NOT Comply With IBC 2006 or Newer Requirements for Use in Doors or Side Lites

Allowed Only in Non-Hazardous Locations Defined in IBC

TEMPERED GLASS

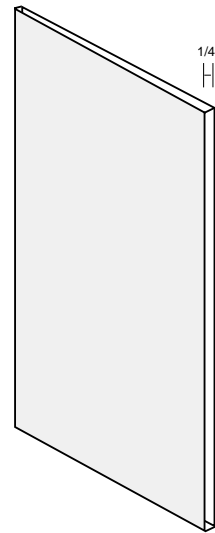
- ▶ ¼" Thick Clear Heat Treated Glass
- ▶ Approximately 4 Times Stronger Than Annealed (Ordinary) Glass
- ▶ Breaks Into Small Harmless Fragments
- ▶ Can **NOT** Be Cut After Manufacturing
- ▶ 11" Minimum Height
- ▶ Manufactured in USA
- ▶ **NOT** Fire-Rated
- ▶ STC 31 Rating

Impact Safety Rating Information

Complies With IBC Requirements for Use in Doors.

Meets ANSI Z97.1 Class A and CPSC 16CFR 1201

(CAT I and II)



INSULATED TEMPERED GLASS

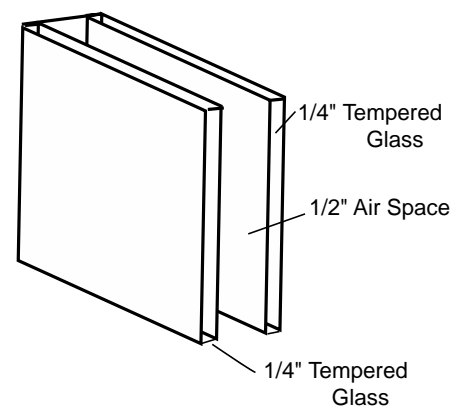
- ▶ 1" Thick - Consists of Two Pieces of ¼" Thick Clear Tempered Glass With ½" Air Space Between and Butyl Seal
- ▶ Increased Energy Efficiency
- ▶ Approximately 4 Times Stronger Than Annealed (Ordinary) Glass
- ▶ Breaks Into Small Harmless Fragments
- ▶ Can **NOT** Be Cut After Manufacturing
- ▶ Manufactured in USA
- ▶ 5-Year Manufacturer Warranty
- ▶ **NOT** Fire-Rated
- ▶ STC 35 Rating

Impact Safety Rating Information

Complies With IBC Requirements for Use in Doors

Meets ANSI Z97.1 Class A and CPSC 16CFR 1201

(CAT I and II)

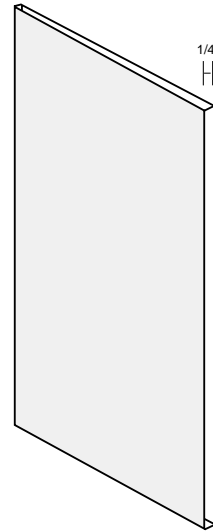


LAMINATED GLASS

- ▶ 1/4" Thick Laminated Architectural Glass
- ▶ Comprised of Two Plies of Glass and a .030" PVB Interlayer
- ▶ Manufactured in USA
- ▶ **NOT** Fire-Rated
- ▶ STC 35 Rating

Impact Safety Rating Information

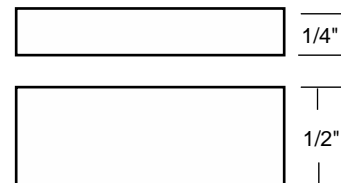
Complies With IBC Requirements for Use in Doors.
Meets ANSI Z97.1 Class A and CPSC 16CFR 1201 (CAT I and II)



POLYCARBONATE HIGH IMPACT

- ▶ Burglary-Resistant Material. Meets UL Standard 972
- ▶ Available in 1/4", 1/2" Thicknesses (Specify on Order)
- ▶ Colorless Transparent Sheet
- ▶ Virtually Unbreakable - 300 Times Stronger Than Ordinary Glass
- ▶ Unlikely to Shatter or Chip When Bombarded With Thrown Rocks, Bricks or Bottles
- ▶ UV Stabilized to Resist Solar Exposure
- ▶ Manufactured in USA
- ▶ 5-Year Manufacturer Warranty
- ▶ **NOT** Fire-Rated
- ▶ Acoustical Ratings: 1/4" = STC 29
1/2" = STC 34

Thicknesses Available



Impact Safety Rating Information

Complies With IBC Requirements for Use in Doors
Meets ANSI Z97.1 Class A and CPSC 16CFR 1201 (CAT I and II)

GLAZING TAPE

CLOSED CELL PVC FOAM

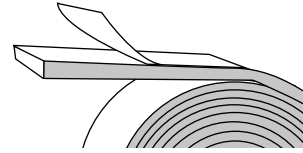
L-GT-114 – $\frac{3}{8}$ " Wide x $\frac{1}{4}$ " Thick - 50' Rolls

L-GT-116 – $\frac{3}{8}$ " Wide x $\frac{1}{16}$ " Thick - 200' Rolls

L-GT-118 – $\frac{3}{8}$ " Wide x $\frac{1}{8}$ " Thick - 100' Rolls

L-GT-132 – $\frac{3}{8}$ " Wide x $\frac{1}{32}$ " Thick - 200' Rolls

L-GT-316 – $\frac{3}{8}$ " Wide x $\frac{3}{16}$ " Thick - 50' Rolls



- ▶ Closed Cell PVC Foam Glazing Tape With Adhesive Both Sides
- ▶ Color is Black
- ▶ For Use in Lite Kits on UL10C Positive Pressure Fire-Rated Wood or Steel Doors
Rated Up To:
 - ▶ 20 Minutes With 20T or Fire Protective Wired Glass
 - ▶ 90 Minutes With Protect3
 - ▶ 180 Minutes With Pyran® Platinum F or Pyran® Platinum L

INTUMESCENT

9800C $\frac{1}{2}$ " Wide x $\frac{1}{16}$ " Thick - 17', 21' and 150' Rolls

- ▶ Self-Adhesive Glazing Tape With Protective Skin
- ▶ Color is Black

BUTYL RUBBER

L-GT-16 $\frac{3}{8}$ " Wide x $\frac{1}{16}$ " Thick - 50' Rolls

- ▶ Butyl Rubber Glazing Tape With Adhesive Both Sides
- ▶ Color is Black

L-MINI BLINDS 1" IGU

GLASS WITH INTEGRATED MINI BLINDS

Mini Blind Insulated Glass Units are for Lite Kit and Borrowed Lite Applications.

- Commercial Grade Hermetically Sealed Venetian Blind System Inside Insulating Glass Unit – 1" Thick
- Interior or Exterior Applications
- Clear Tempered Safety Glass Both Sides
- Magnetic Slider, Placed on the Right or Left-Hand Side of the Glass for Tilting, Lowering and Raising Functions
- Minimum Width 8 5/8", Maximum Width 35 3/4"
- Minimum Height 14", Maximum Height 80"
- Fits Low Profile L-FRA100-SP Lite Kit
- Standard Blind Color is White
- Orders for this Product are Non-Changeable and Non-Cancellable

Premium Blind Colors Available at Additional Charge

- Aluminum Silver (Silver Moon)
- Beige (Sand)
- California Bronze (Espresso)
- Magnolia White (White)
- Slate Gray
- Tan

Impact Safety Rating Information

- Meets ANSI Z97.1, Class A
- Meets CPSC 16CFR 1201 (Category I and II)
- Complies With IBC Requirements for Use in Doors

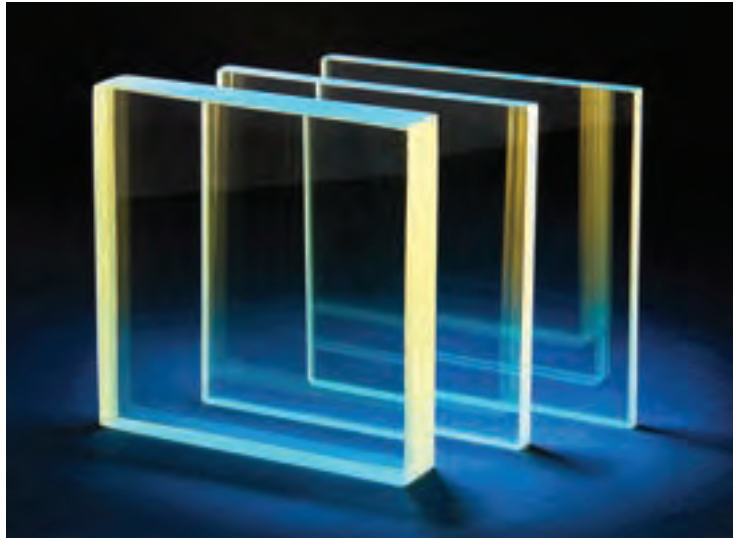


SPECIALTY GLASS

Specialty Glass is Available for Lite Kit and Borrowed Lite Applications. Contact Us With the Specification Requirements for a Quote and Lead Time.

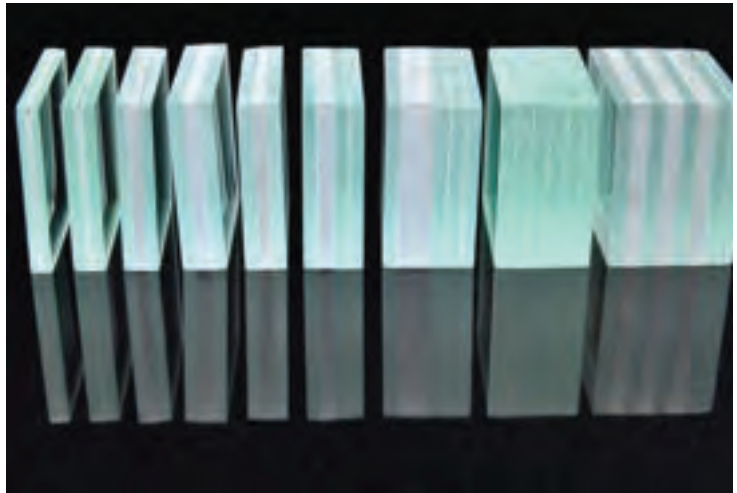
Radiation Shielding (Lead X-Ray Glass)

- ▶ Thickness = $\frac{3}{8}$ " to $\frac{5}{8}$ "
- ▶ Lead Equivalency = $\frac{1}{16}$ " to $\frac{1}{8}$ "
- ▶ Laminated Available
- ▶ Glass Sizes Available Up To 48" x 96"



Security Glazing

- ▶ Security, Blast and Bullet Resistant Options
- ▶ UL 752 Ballistic Levels 3
- ▶ Spall Protection
- ▶ Thickness = 1 $\frac{1}{2}$ "
- ▶ Maximum Glass Sizes 70 $\frac{7}{8}$ " x 94 $\frac{1}{2}$ "
- ▶ Other Ballistic Levels Available on Special Order



L-700-RX, AFDL

NO VISION DOOR LOUVER

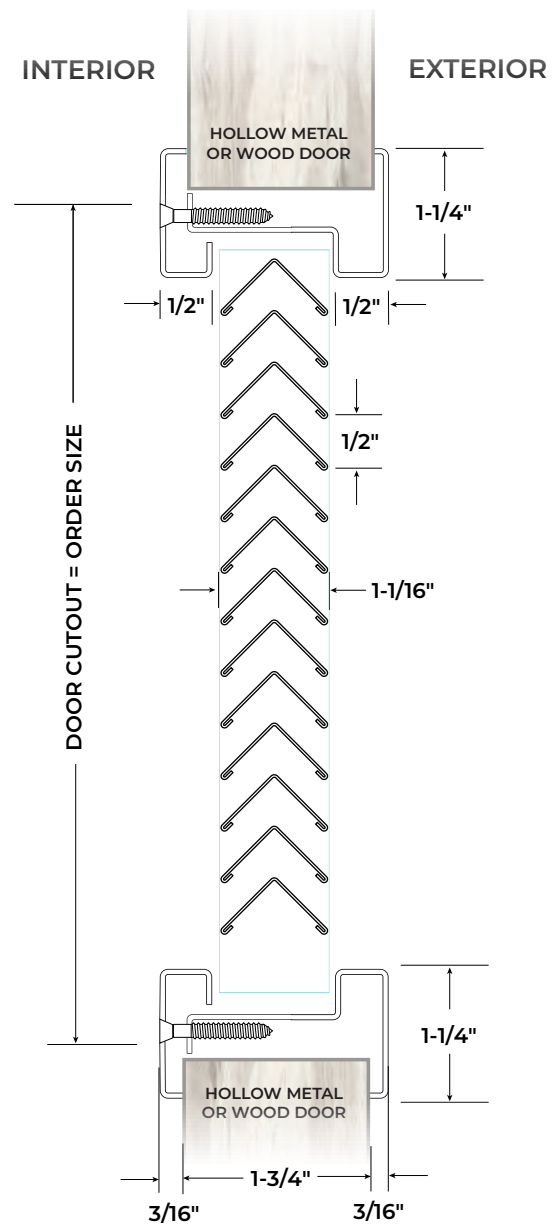
Anemostat
DOOR PRODUCTS

FOR 1 3/4" THICK DOORS

- 18 Ga. Cold Rolled Steel
- Mitered and Welded Corners
- Welded Reinforcing Clips at Corners
- Inverted "V" Design
- Blades 24 Ga. Steel; Hemmed Edges
- Countersunk Mounting Screw-Holes
- #8 X 3/4" Phillips Head SMS
- Available in Uneven and Fractional Sizes
- Free Area 55%
- Gray Primer (GPZ) Powder Coat Finish

Available Options

- Powder Coat Color Options - See Page L3
- Aluminum Insect Screen - 22 Ga. 1/8" Square Mesh Installed on Exterior Side Unless Requested Otherwise
- Torx Security Screws
- Galvanneal - A40 Steel
- Zinc Electroplating (Not Available on Insect Screen)



Not To Scale

Undersized 1/8" for Clearance

Designed for Use on 1 3/4" Thick Doors Manufactured Within Door Industry Tolerance of +/- 1/16".

L-700-RX-316SS, L-700-A-316SS

STAINLESS STEEL NO VISION DOOR LOUVER

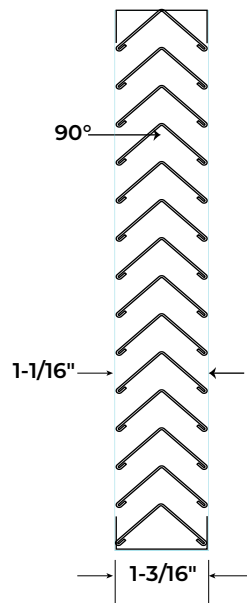
FOR 1 3/4" THICK DOORS

- ▶ 18 Ga. Type 316 Stainless Steel Frame
- ▶ Mitered and Welded Corners
- ▶ Inverted "V" Design
- ▶ Blades 24 Ga. Hemmed Edges
- ▶ Type 316 Stainless Steel
- ▶ Countersunk Mounting Screw-Holes
- ▶ #8 X 1" Phillips Head SMS
- ▶ Free Area 55%
- ▶ #4 Satin Finish
- ▶ Available Sizes:

12" x 12"	18" x 12"	24" x 12"
12" x 18"	18" x 18"	24" x 18"
12" x 24"	18" x 24"	24" x 24"

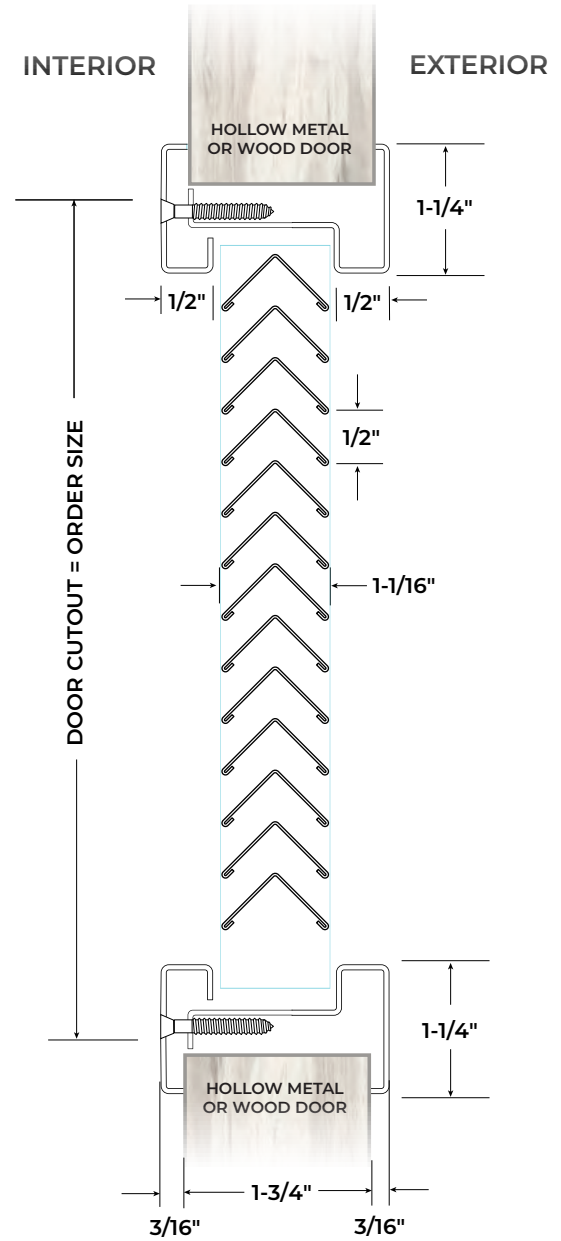
Available Options

- ▶ Torx Security Screws



L-700-A-316SS

Undersized 1/16" for Clearance



L-700-RX-316SS

Not To Scale

Undersized 1/8" for Clearance

Designed for Use on 1 3/4" Thick Doors Manufactured Within Door Industry Tolerance of +/- 1/16".

L-700 SERIES

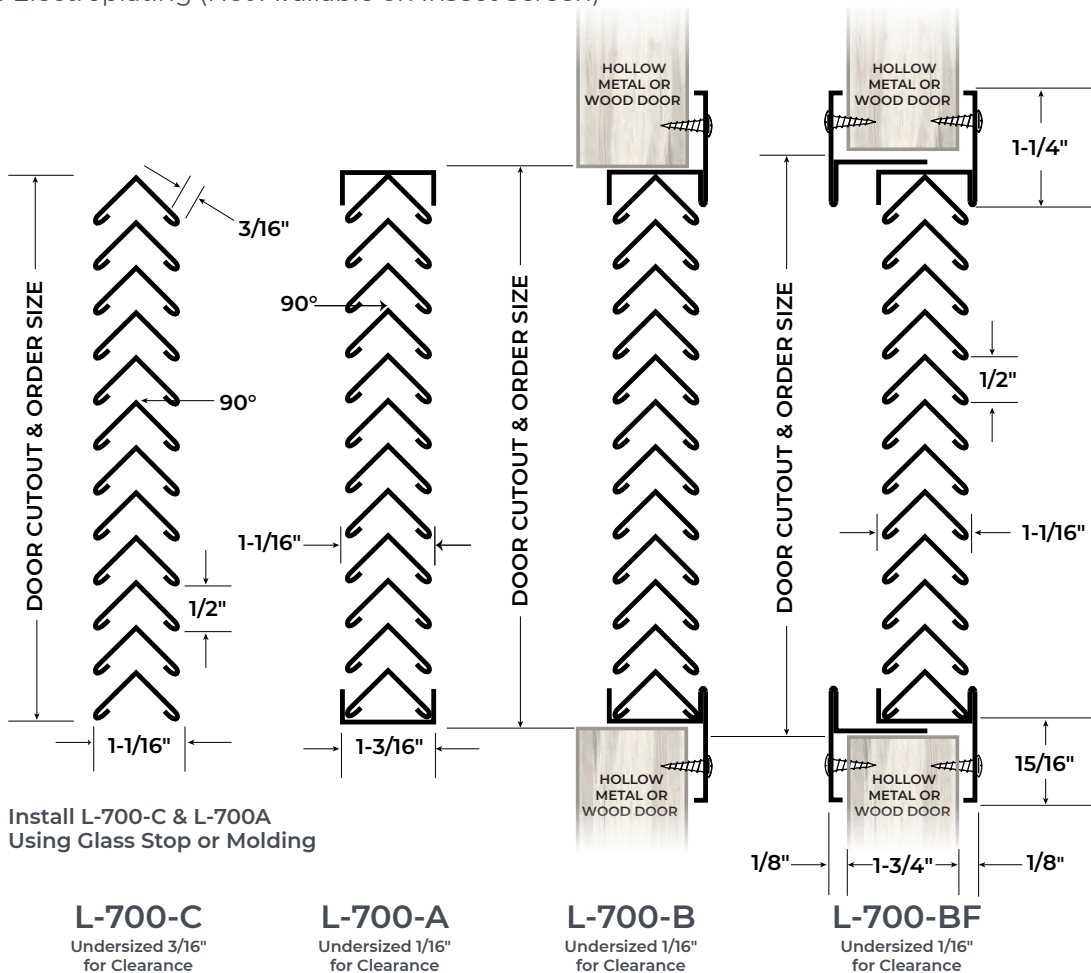
NO VISION DOOR AND PARTITION LOUVER

FOR 1 3/8", 1 3/4" UP TO 2 1/4" THICK DOORS

- 20 Ga. Cold Rolled Steel Frame
- Mitered and Welded Corners
- Welded Reinforcing Clips at Corners
- Inverted "V" Design
- Blades 24 Ga. Steel; Hemmed Edges
- Countersunk Mounting Screw-Holes
- #8 X 3/4" Phillips Head SMS
- Available in Uneven and Fractional Sizes
- Free Area 55%
- Gray Primer (GPZ) Powder Coat Finish

Available Options

- Powder Coat Color Options - See Page L3
- Thru-Bolts (TB) for 1 3/4" Thick Doors
- Aluminum Insect Screen - 22 Ga. 3/8" Square Mesh
Installed on Exterior Side Unless Requested Otherwise
- Torx Security Screws
- Galvanneal - A40 Steel
- Zinc Electroplating (Not Available on Insect Screen)



L-A700 SERIES

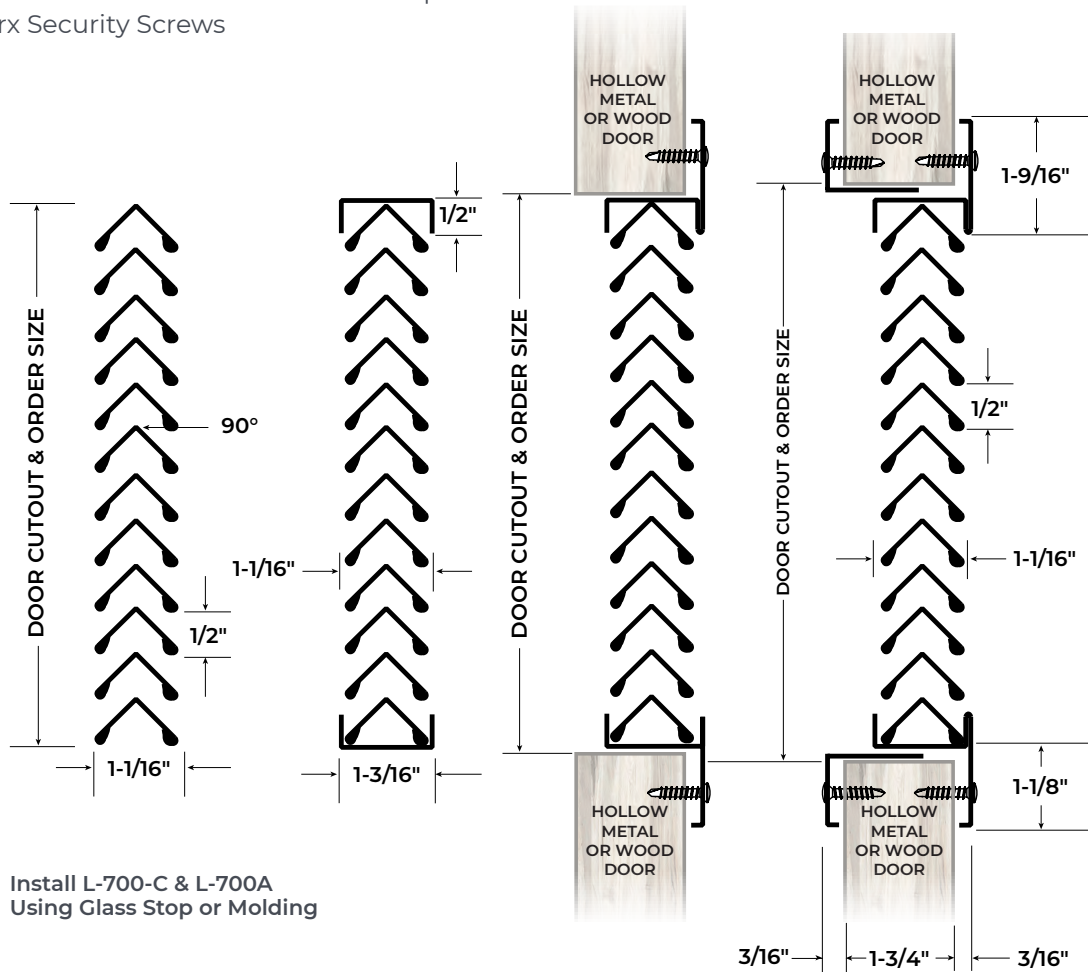
ALUMINUM NO VISION DOOR AND PARTITION LOUVER

FOR 1 3/8", 1 3/4" UP TO 2 1/4" THICK DOORS

- ▶ Frame .050" Extruded Aluminum
- ▶ Blades .050" Extruded Aluminum
- ▶ Mitered Corners Secured With Reinforcing Clips
- ▶ Inverted "V" Design
- ▶ Countersunk Mounting Screw-Holes
- ▶ #8 X 3/4" Phillips Head SMS
- ▶ Available in Uneven and Fractional Sizes
- ▶ Free Area 55%
- ▶ Aluminum Silver (ASL) Powder Coat Finish

Available Options

- ▶ Powder Coat Color Options - See Page L3
- ▶ For Exterior Use Specify Drainage Weep Holes
- ▶ Thru-Bolts (TB) for 1 3/4" Thick Doors
- ▶ Aluminum Insect Screen - 22 Ga. 1/8" Square Mesh
Installed on Exterior Side Unless Requested Otherwise
- ▶ Torx Security Screws



Install L-700-C & L-700A
Using Glass Stop or Molding

L-A700-C
Undersized 1/4"
for Clearance

L-A700-A
Undersized 3/16"
for Clearance

L-A700-B
Undersized 3/16"
for Clearance

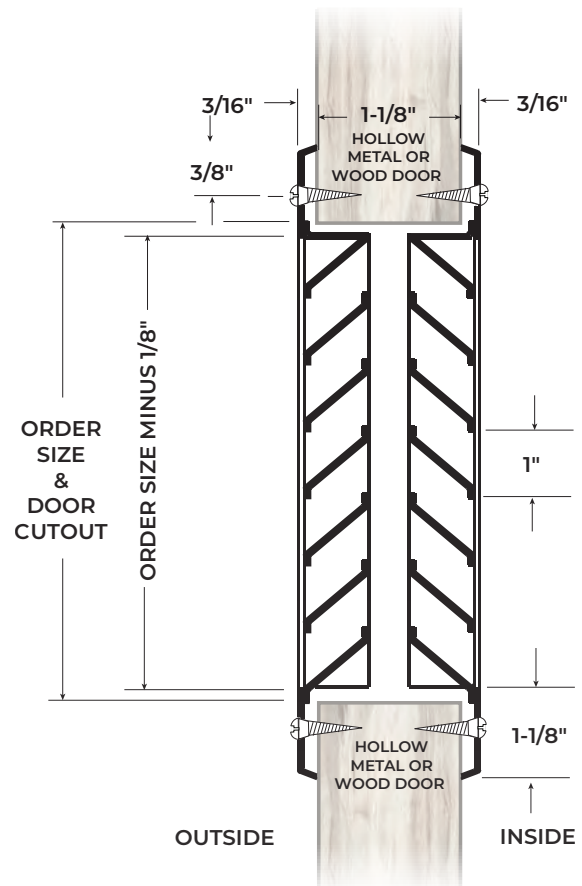
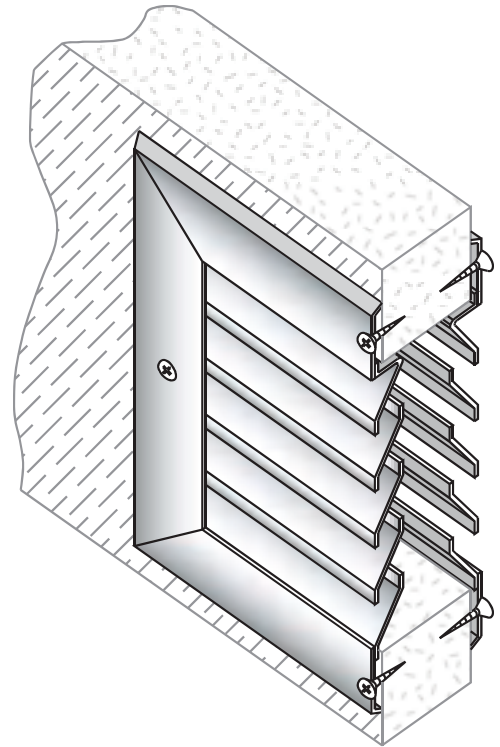
L-A700-BF
Undersized 1/16"
for Clearance

FOR 1 1/8" AND OVER THICK DOORS

- 18 Ga. Cold Rolled Steel
- Mitered and Welded Corners
- Countersunk Mounting Screw-Holes
- #8 X 3/4" Phillips Head SMS
- Available in Uneven and Fractional Sizes
 - Fractional Sizes Fabricated with 1 1/2" Frame
- Free Area 50%
- Gray Primer (GPZ) Powder Coat Finish

Available Options

- Powder Coat Color Options - See Page L3
- Aluminum Insect Screen - 22 Ga. 1/8" Square Mesh Installed Inside of Blades on One Side
- Torx Security Screws
- Electrogalvanized Steel
- Zinc Electroplating (Not Available on Insect Screen)



FDLS-316SS

STAINLESS STEEL INVERTED SPLIT Y NO VISION DOOR LOUVER

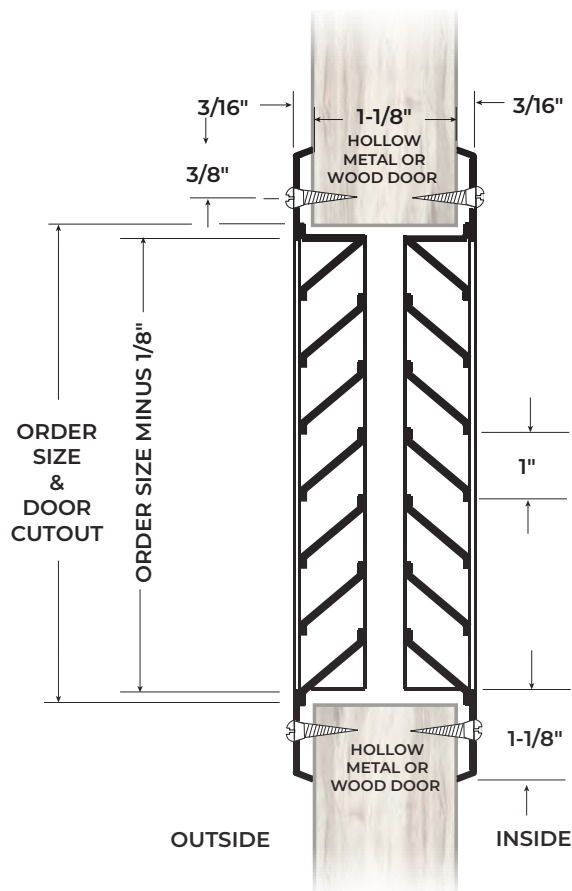
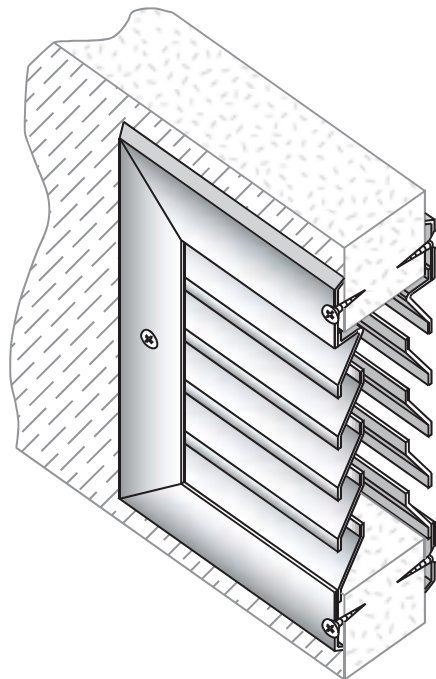
Anemostat
DOOR PRODUCTS

FOR 1 1/8" AND OVER THICK DOORS

- ▶ 18 Ga. Type 316 Stainless Steel
- ▶ Mitered and Welded Corners
- ▶ Countersunk Mounting Screw-Holes
- ▶ #8 X 3/4" Phillips Head SMS
- ▶ Free Area 50%
- ▶ #4 Satin Finish
- ▶ Available Sizes:
 - 12" x 12" 18" x 12" 24" x 12"
 - 12" x 18" 18" x 18" 24" x 18"
 - 12" x 24" 18" x 24" 24" x 24"

Available Options

- ▶ Torx Security Screws



Not To Scale

L-1900, FLDL

FIRE-RATED FUSIBLE LINK LOUVER

Anemostat
DOOR PRODUCTS

FOR 1 3/4" THICK DOORS UP TO 90 MINUTES

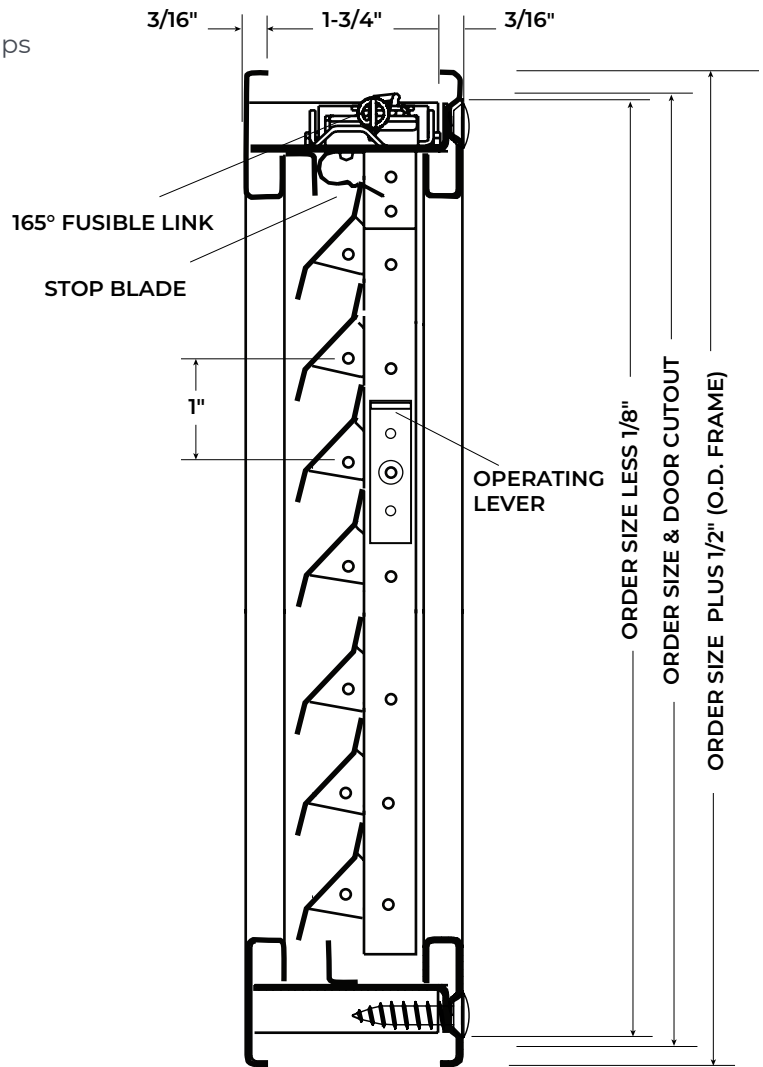


*Up to 90 Minutes

- ▶ Blades Close When Activated By Fire/Heat
- ▶ 18 Ga. Cold Rolled Steel Frame
- ▶ 18 Ga. Cold Rolled Steel Adjustable "Z" Blades
- ▶ Mitered Corners Secured With Reinforcing Clips
- ▶ Stainless Steel Spring
- ▶ 165° Fusible Link
- ▶ #8 X 3/4" Phillips Head SMS
- ▶ Free Area 40%
- ▶ Gray Primer (GPZ) Powder Coat Finish
- ▶ Available in Whole Inch Increments:
Minimum Size: 10" x 6"
Maximum Size: 24" x 30"

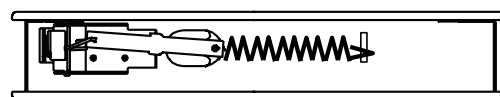
Available Options

- ▶ Powder Coat Color Options - See Page L3
- ▶ Aluminum Insect Screen - 22 Ga. 1/8" Square Mesh Installed on Exterior Side
- ▶ Torx Security Screws
- ▶ Galvanneal - A40 Steel



Undersized 1/8" for Clearance

Not to Scale



Top View Fusible Link Mechanism

FLDL-316SS

STAINLESS STEEL FIRE-RATED FUSIBLE LINK LOUVER

Anemostat
DOOR PRODUCTS



*Up to 90 Minutes

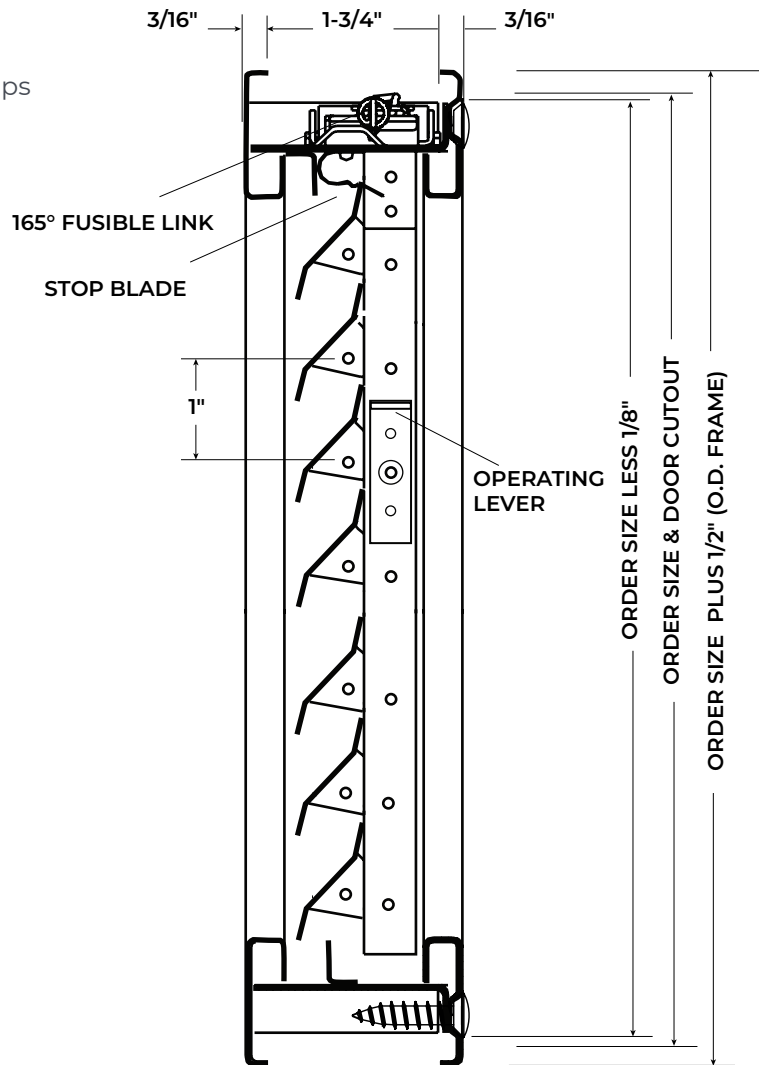
FOR 1 3/4" THICK DOORS UP TO 90 MINUTES

- ▶ Blades Close When Activated By Fire/Heat
- ▶ 18 Ga. Type 316 Stainless Steel Frame
- ▶ 18 Ga. Type 316 Stainless Steel Steel Adjustable "Z" Blades
- ▶ Mitered Corners Secured With Reinforcing Clips
- ▶ Stainless Steel Spring
- ▶ 165° Fusible Link
- ▶ #8 X 3/4" Phillips Head SMS
- ▶ Free Area 40%
- ▶ Available Sizes:

12" x 12"	18" x 12"	24" x 12"
12" x 18"	18" x 18"	24" x 18"
12" x 24"	18" x 24"	24" x 24"

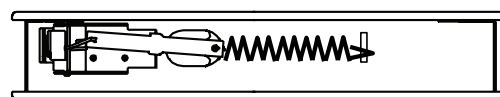
Available Options

- ▶ Torx Security Screws



Undersized 3/8" for Clearance

Not to Scale



Top View Fusible Link Mechanism

L-1800

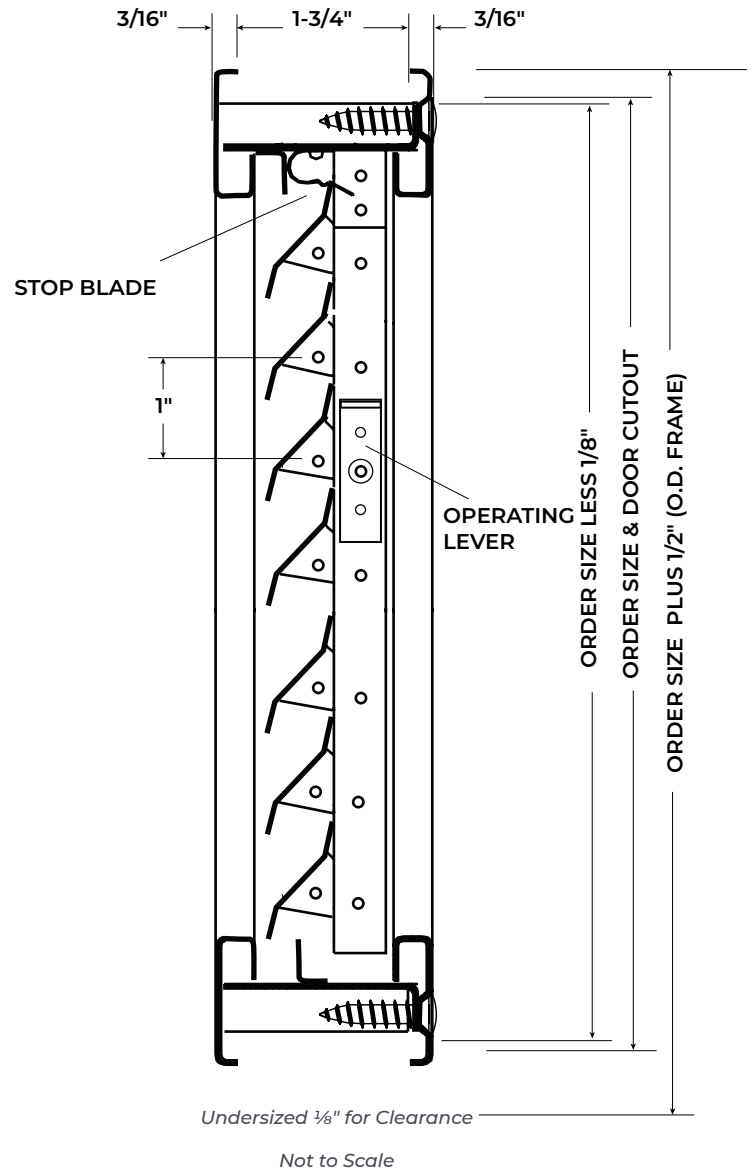
ADJUSTABLE BLADE LOUVER

FOR 1 3/4" THICK DOORS

- Manually Adjustable Blades
- 18 Ga. Cold Rolled Steel Frame
- 18 Ga. Cold Rolled Steel Adjustable "Z" Blades
- Mitered Corners Secured With Reinforcing Clips
- #8 X 3/4" Phillips Head SMS
- Free Area 40%
- Gray Primer (GPZ) Powder Coat Finish
- Available in Whole Inch Increments:
 - Minimum Size: 10" x 6"
 - Maximum Size: 24" x 30"

Available Options

- Powder Coat Color Options - See Page L3
- Aluminum Insect Screen - 22 Ga. 1/8" Square Mesh Installed on Exterior Side
- Torx Security Screws
- Galvanneal - A40 Steel



L-1800-316SS

STAINLESS STEEL ADJUSTABLE BLADE LOUVER

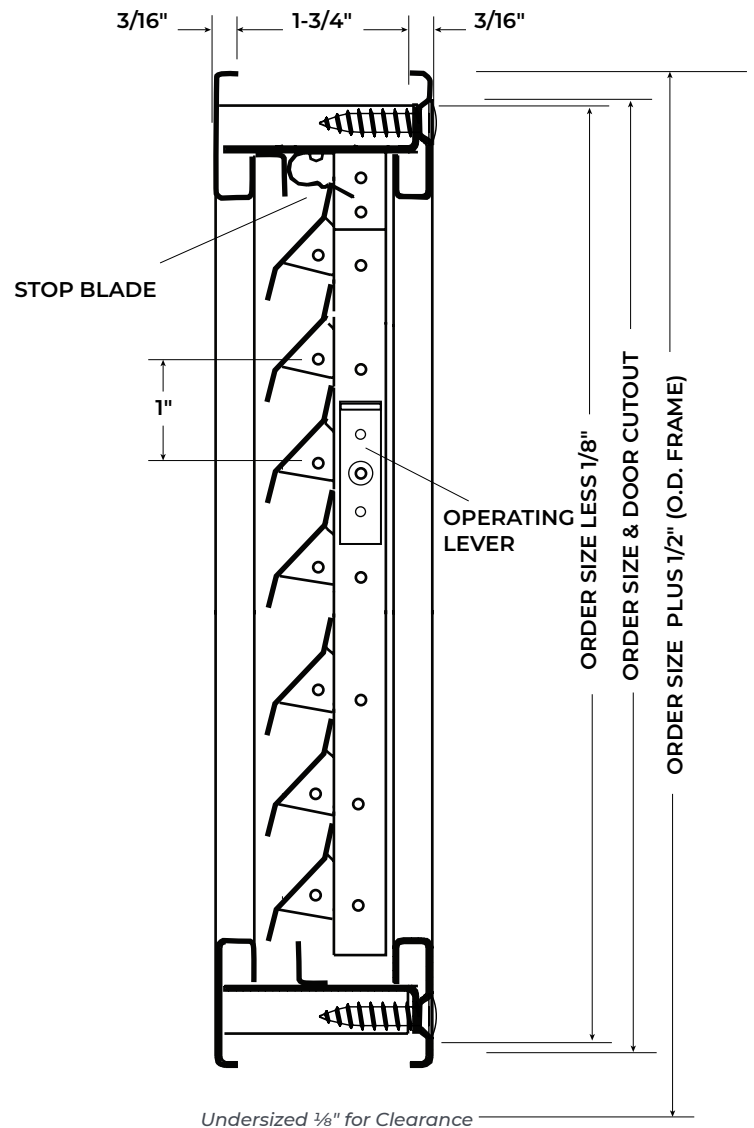
FOR 1 3/4" THICK DOORS

- Manually Adjustable Blades
- 18 Ga. Type 316 Stainless Steel Frame
- 18 Ga. Type 316 Stainless Steel Adjustable "Z" Blades
- Mitered Corners Secured With Reinforcing Clips
- #8 X 3/4" Phillips Head SMS
- Free Area 40%
- Available Sizes:

12" x 12"	18" x 12"	24" x 12"
12" x 18"	18" x 18"	24" x 18"
12" x 24"	18" x 24"	24" x 24"

Available Options

- Torx Security Screws



Not to Scale

FOR 1 3/8" TO 1 3/4" THICK DOORS

- ▶ 12 Ga. Cold Rolled Steel Security Grille Frame with 13/16" Square Holes on 1" Centers
- ▶ 20 Ga. Cold Rolled Steel Louver Blades
- ▶ Countersunk Mounting Screw-Holes
- ▶ #8-32 Phillips Head Screw Thru-Bolts
- ▶ Available in Uneven and Fractional Sizes
- ▶ Free Area 50%
- ▶ Gray Primer (GPZ) Powder Coat Finish

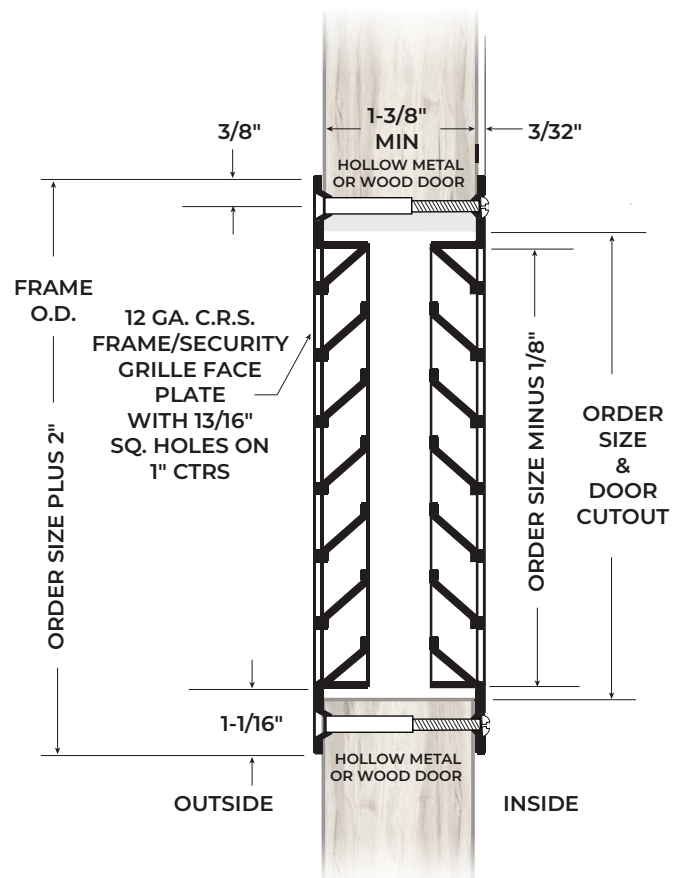
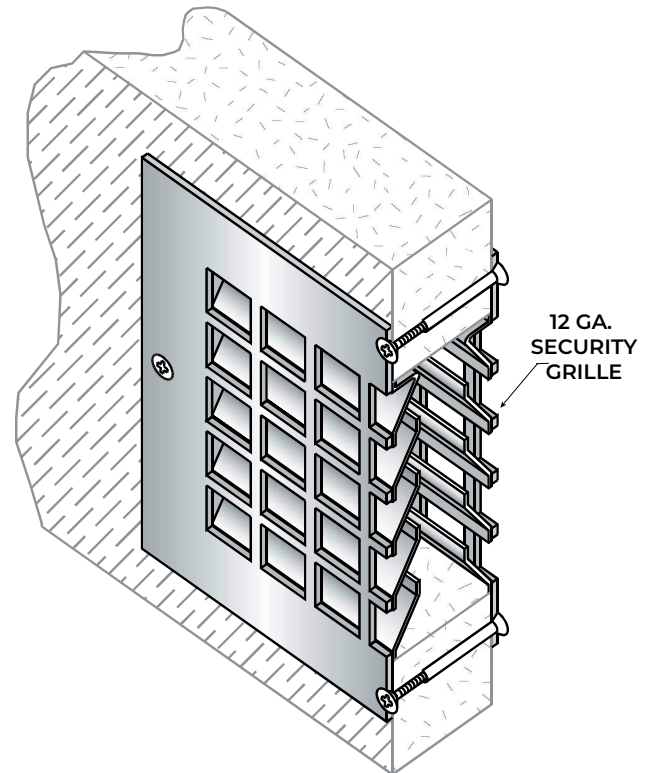
Available Options

- ▶ Powder Coat Color Options - See Page L3
- ▶ Aluminum Insect Screen - 22 Ga. 1/8" Square Mesh Installed Inside of Blades on One Side
- ▶ #8-32 Torx Security Pin Screw Thru-Bolts
- ▶ Electrogalvanized Steel (Not Available on Security Grilles)
- ▶ Zinc Electroplating (Not Available on Insect Screen)

Windstorm Rated

- ▶ Louver for Use in Windstorm-Rated Assembly in Accordance with ANSI/ASTM E330, ANSI/ASTM E1886, ASTM E1996, AAMA/WDMA/CSA 101/I.S.2/A440, FEMA 320, FEMA 361 and ICC 500.
Design Pressure = +/- 70 PSF
Large Missile Impact = 350 ft. lbs.
Hazard - Hurricane

This Product is **NOT** Rated for Use on Fire-Rated Doors



Not To Scale

PLSL-316SS

STORM PRO STAINLESS STEEL INVERTED SPLIT Y SECURITY DOOR LOUVER

Anemostat
DOOR PRODUCTS

FOR 1 3/8" TO 1 3/4" THICK DOORS

- 12 Ga. Type 316 Stainless Steel Security Grille Frame with 1 3/16" Square Holes on 1" Centers
- 20 Ga. Type 316 Stainless Steel Louver Blades
- Countersunk Mounting Screw-Holes
- #8-32 Phillips Head Screw Thru-Bolts
- Available in Uneven and Fractional Sizes
- Free Area 50%
- Available Sizes:

12" x 12"	18" x 12"	24" x 12"
12" x 18"	18" x 18"	24" x 18"
12" x 24"	18" x 24"	24" x 24"

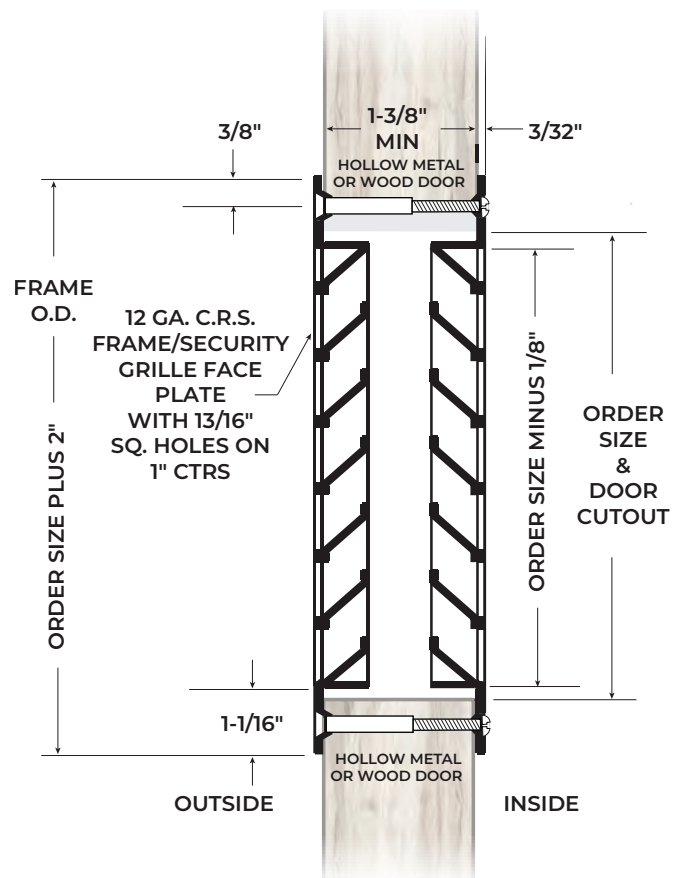
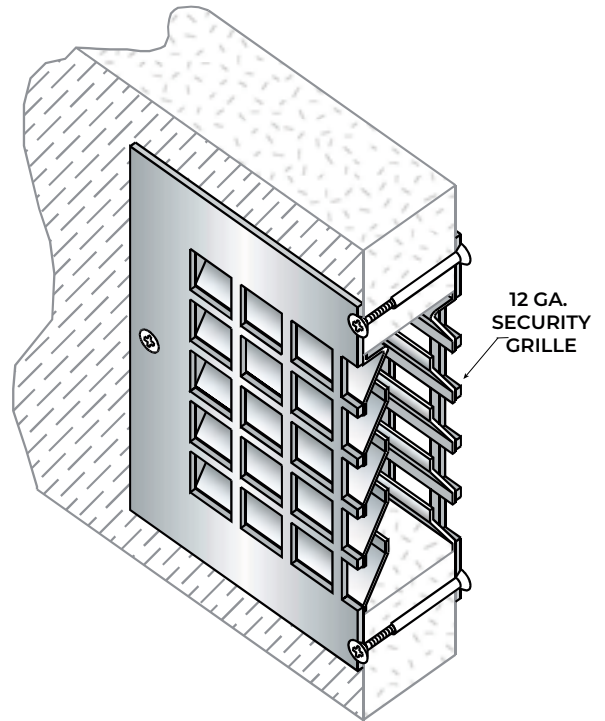
Available Options

- #8-32 Torx Security Pin Screw Thru-Bolts

Windstorm Rated

- Louver for Use in Windstorm-Rated Assembly in Accordance with ANSI/ASTM E330, ANSI/ASTM E1886, ASTM E1996, AAMA/WDMA/CSA 101/I.S.2/A440, FEMA 320, FEMA 361 and ICC 500.
Design Pressure = +/- 70 PSF
Large Missile Impact = 350 ft. lbs.
Hazard - Hurricane

This Product is **NOT** Rated for Use on Fire-Rated Doors



Not To Scale

L-VRSG-2, L-VRSG-3

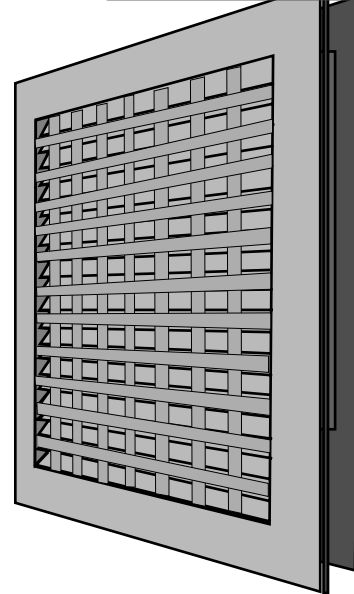
VANDAL RESISTANT SECURITY LOUVER

FOR 1 3/4" THICK DOORS

- ▶ 18 Ga. Cold Rolled Steel Frame
- ▶ Mitered and Welded Corners
- ▶ Welded Reinforcing Clips at Corners
- ▶ Inverted "V" Design
- ▶ Blades 24 Ga. Steel, Hemmed Edges
- ▶ 16 Ga. Steel, 3/4" X 3/4" Security Grille
- ▶ #6 X 1 3/4" Phillips Truss Head SMS
- ▶ Free Area 45%
- ▶ Gray Primer (GPZ) Powder Coat Finish

Available Options

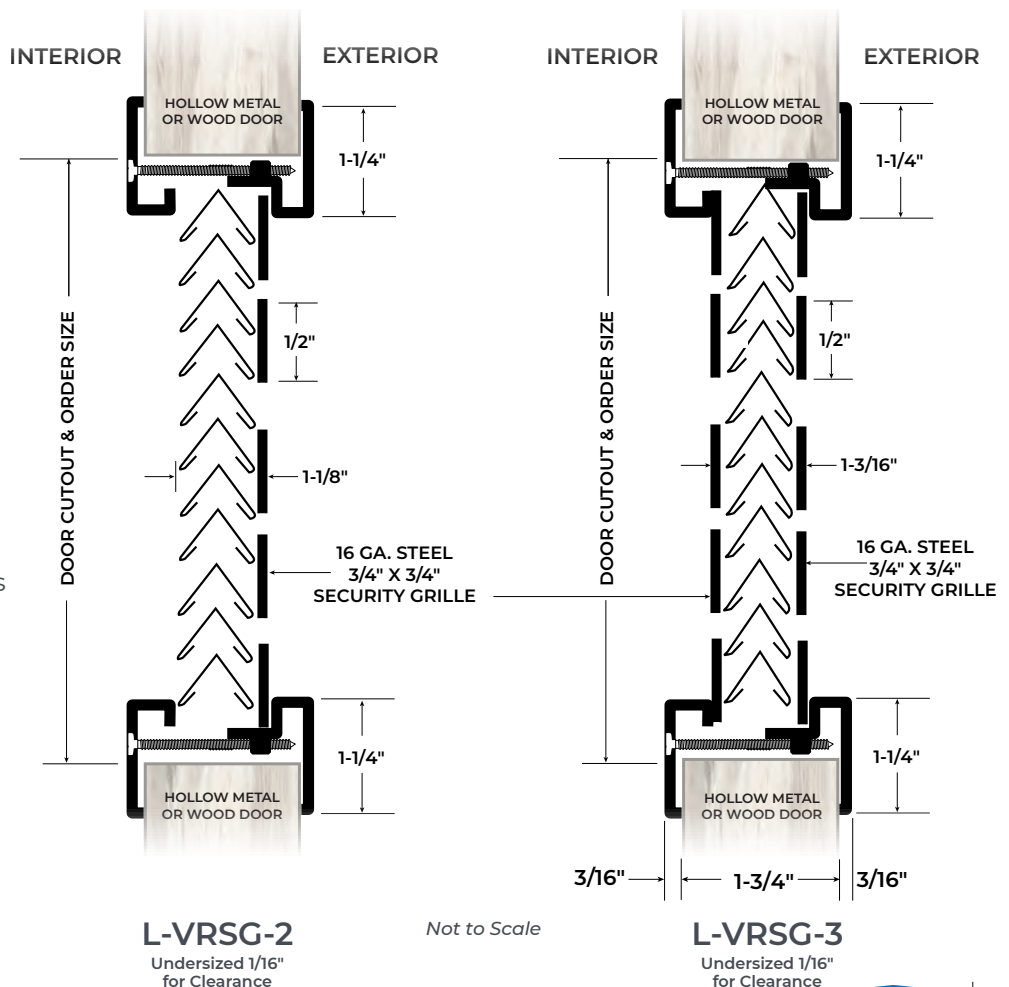
- ▶ Powder Coat Color Options - See Page L3
- ▶ Thru-Bolts (TB) for 1 3/4" Thick Doors
- ▶ Aluminum Insect Screen - 22 Ga. 1/8" Square Mesh
Installed on Exterior Side Unless Requested Otherwise
- ▶ Torx Security Screws
- ▶ Galvanneal - A40 Steel
- ▶ Zinc Electroplating (Not Available on Insect Screen)



Hurricane-Rated L-VRSG-2

- ▶ Florida Building Code #FL47124
- ▶ Design Pressure = +/- 75 PSF
Missile level "D" and includes Wind Zone 4 as defined in ASTM E 1996 and FBC Sections 1609.1.2.2 & R301.2.1.2.1.
- ▶ Meets the water infiltration requirements for the "HVHZ."
- ▶ Maximum Size 30" x 64"
- ▶ Hazard - Hurricane

This Product is Not Rated for Use on Fire-Rated Doors



FLDL-SG1

FIRE-RATED FUSIBLE LINK LOUVER

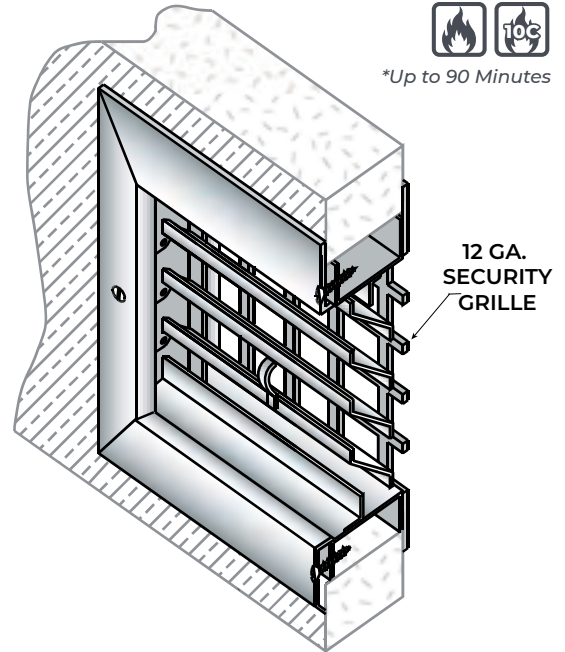
Anemostat
DOOR PRODUCTS



*Up to 90 Minutes

FOR 1 3/4" THICK DOORS UP TO 90 MINUTES

- Blades Close When Activated By Fire/Heat
- 18 Ga. Cold Rolled Steel Frame
- 18 Ga. Cold Rolled Steel Adjustable "Z" Blades
- 12 Ga. Cold Rolled Steel Security Grille One Side
- Mitered Corners Secured With Reinforcing Clips
- Stainless Steel Spring
- 165° Fusible Link
- #8 x 1" Torx Security Pin Screws
- Free Area 40%
- Gray Primer (GPZ) Powder Coat Finish
- Available in Whole Inch Increments:
Minimum size: 10" x 6"
Maximum size: 24" x 30"

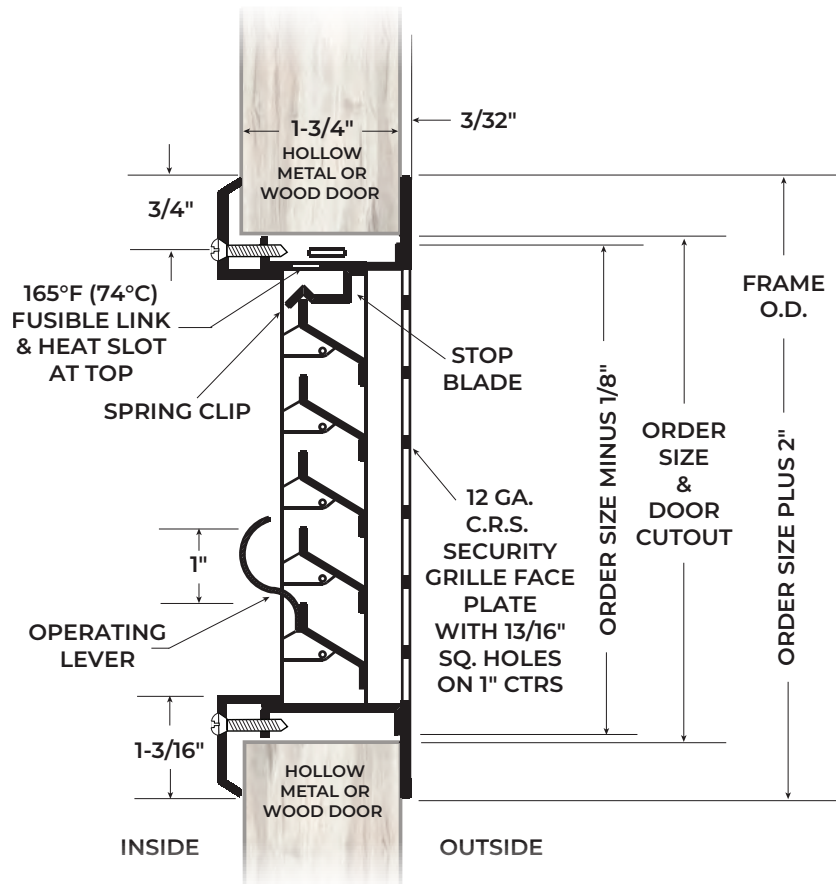


Available Options

- Powder Coat Color Options - See Page L3
- Aluminum Insect Screen - 22 Ga. 3/8" Square Mesh
Installed on Exterior Side
- Galvanneal - A40 Steel Frame and
Blades (Security Grille not Available
in Galvanneal)

Windstorm Rated

- Louver for Use in Windstorm-Rated
Assembly in Accordance with
ANSI/ASTM E330, ANSI/ASTM E1886,
ASTM E1996, AAMA/WDMA/CSA
101/I.S.2/A440, FEMA 320, FEMA 361
and ICC 500.
Design Pressure = +/- 70 PSF
Large Missile Impact = 350 ft. lbs.
Hazard - Hurricane
- Maximum Size for Hurricane Use is
24" x 24" (610mm x 610mm)



Not To Scale

FLDL-SG1-316SS

STAINLESS STEEL FIRE-RATED FUSIBLE LINK LOUVER

Anemostat
DOOR PRODUCTS

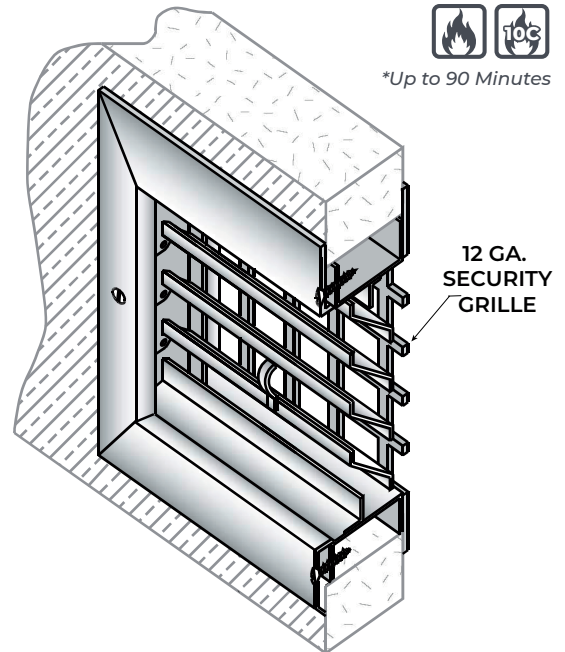


*Up to 90 Minutes

FOR 1 3/4" THICK DOORS UP TO 90 MINUTES

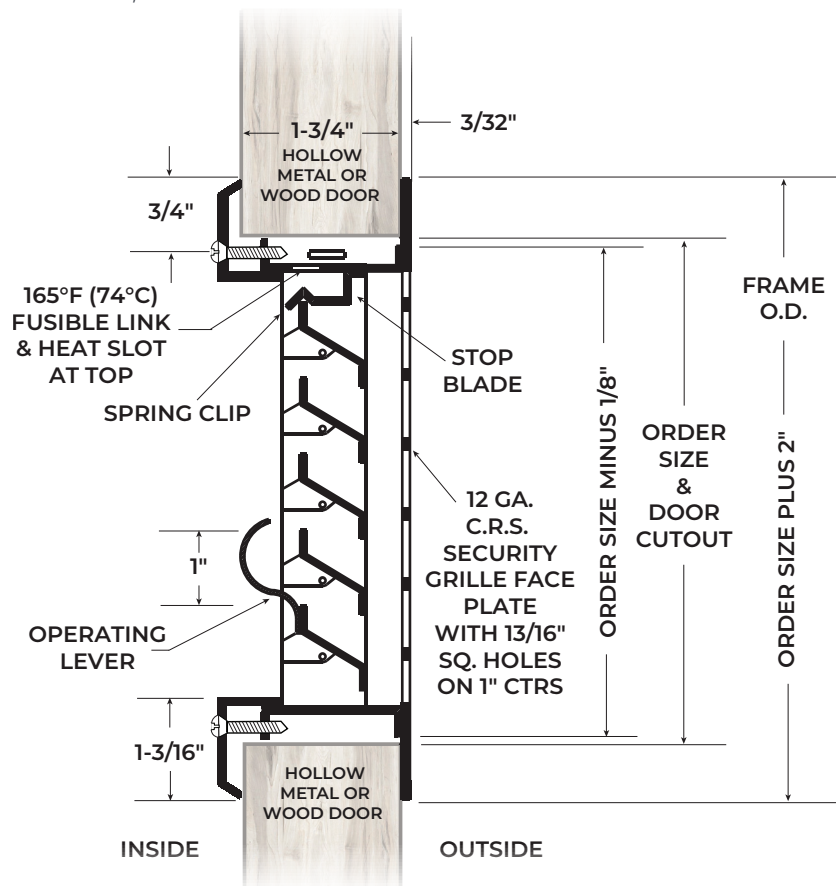
- Blades Close When Activated By Fire/Heat
- 18 Ga. Type 316 Stainless Steel Frame
- 18 Ga. Type 316 Stainless Steel Adjustable "Z" Blades
- 12 Ga. Type 316 Stainless Steel Security Grille One Side
- Mitered Corners Secured With Reinforcing Clips
- Stainless Steel Spring
- 165° Fusible Link
- #8 x 1" Torx Security Pin Screws
- Free Area 40%
- Available Sizes:

12" x 12"	18" x 12"	24" x 12"
12" x 18"	18" x 18"	24" x 18"
12" x 24"	18" x 24"	24" x 24"



Windstorm Rated

- Louver for Use in Windstorm-Rated Assembly in Accordance with ANSI/ASTM E330, ANSI/ASTM E1886, ASTM E1996, AAMA/WDMA/CSA 101/I.S.2/A440, FEMA 320, FEMA 361 and ICC 500. Design Pressure = +/- 70 PSF Large Missile Impact = 350 ft. lbs. Hazard - Hurricane
- Maximum Size for Hurricane Use is 24" x 24" (610mm x 610mm)



Not To Scale

FLDL-SG2

FIRE-RATED FUSIBLE LINK LOUVER

Anemostat
DOOR PRODUCTS



*Up to 90 Minutes

FOR 1 3/4" THICK DOORS UP TO 90 MINUTES

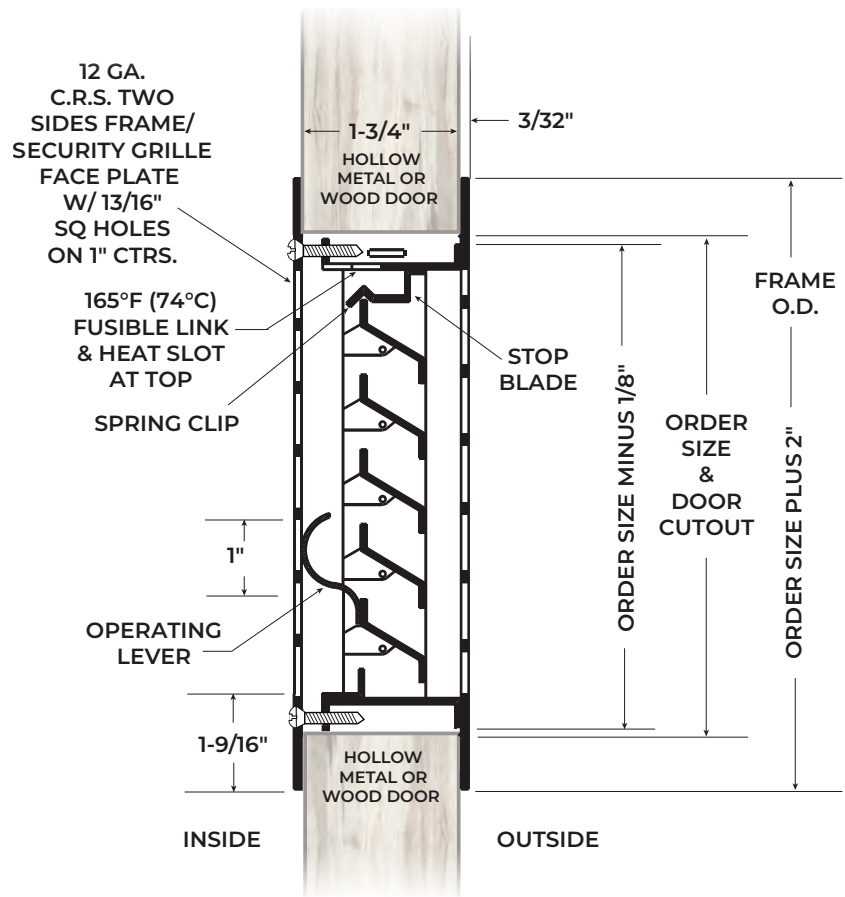
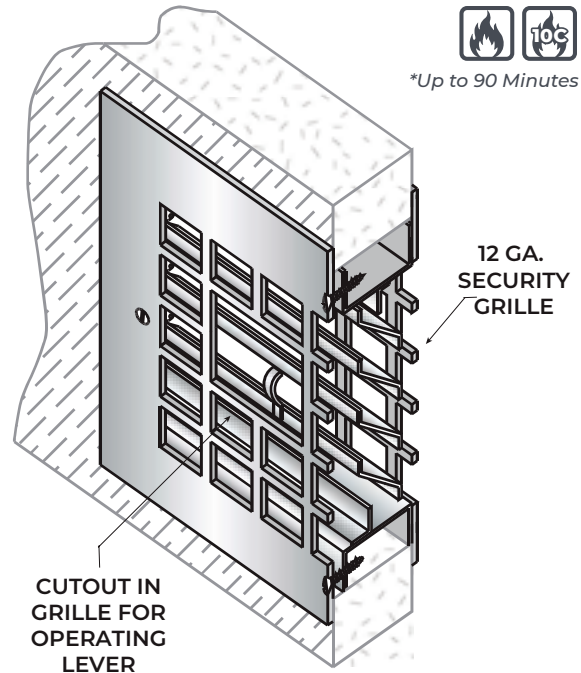
- Blades Close When Activated By Fire/Heat
- 18 Ga. Cold Rolled Steel Adjustable "Z" Blades
- 12 Ga. Cold Rolled Steel Security Grille Both Sides
- Stainless Steel Spring
- 165° Fusible Link
- #8 x 1" Torx Security Pin Screws
- Free Area 40%
- Gray Primer (GPZ) Powder Coat Finish
- Available in Whole Inch Increments:
Minimum size: 10" x 6"
Maximum size: 24" x 30"

Available Options

- Powder Coat Color Options - See Page L3
- Aluminum Insect Screen - 22 Ga. 1/8" Square Mesh Installed on Exterior Side
- Galvanneal - A40 Blades (Security Grilles Not Available in Galvanneal)

Windstorm Rated

- Louver for Use in Windstorm-Rated Assembly in Accordance with ANSI/ASTM E330, ANSI/ASTM E1886, ASTM E1996, AAMA/WDMA/CSA 101/I.S.2/A440, FEMA 320, FEMA 361 and ICC 500.
Design Pressure = +/- 70 PSF
Large Missile Impact = 350 ft. lbs.
Hazard - Hurricane
- Maximum Size for Hurricane Use is 24" x 24" (610mm x 610mm)



Not To Scale

FLDL-SG2-316SS

STAINLESS STEEL FIRE-RATED FUSIBLE LINK LOUVER

Anemostat
DOOR PRODUCTS

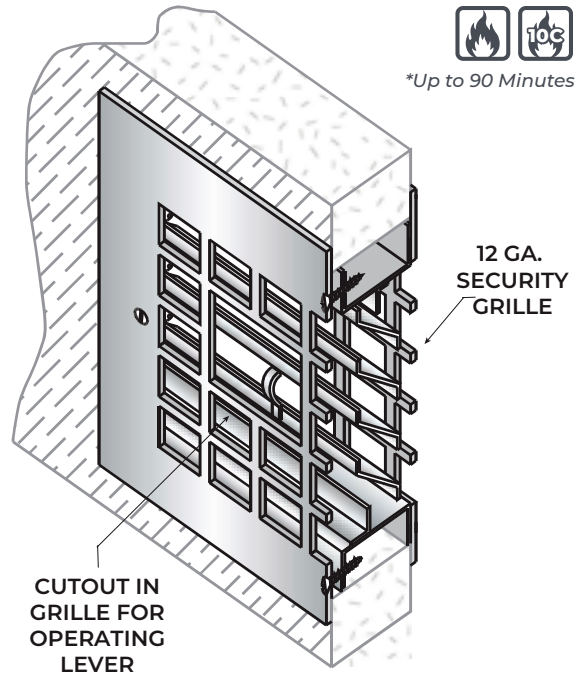


*Up to 90 Minutes

FOR 1 3/4" THICK DOORS UP TO 90 MINUTES

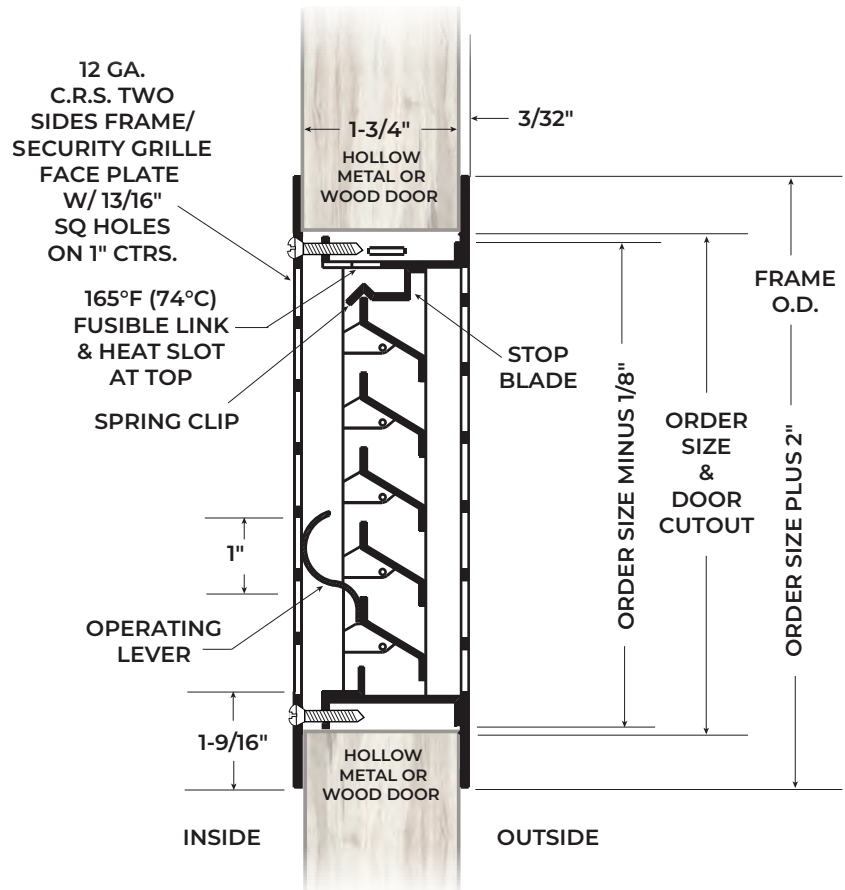
- Blades Close When Activated By Fire/Heat
- 18 Ga. Type 316 Stainless Steel Adjustable "Z" Blades
- 12 Ga. Type 316 Stainless Steel Security Grille Both Sides
- Stainless Steel Spring
- 165° Fusible Link
- #8 x 1" Torx Security Pin Screws
- Free Area 40%
- Available Sizes:

12" x 12"	18" x 12"	24" x 12"
12" x 18"	18" x 18"	24" x 18"
12" x 24"	18" x 24"	24" x 24"



Windstorm Rated

- Louver for Use in Windstorm-Rated Assembly in Accordance with ANSI/ASTM E330, ANSI/ASTM E1886, ASTM E1996, AAMA/WDMA/CSA 101/I.S.2/A440, FEMA 320, FEMA 361 and ICC 500.
Design Pressure = +/- 70 PSF
Large Missile Impact = 350 ft. lbs.
Hazard - Hurricane
- Maximum Size for Hurricane Use is 24" x 24" (610mm x 610mm)



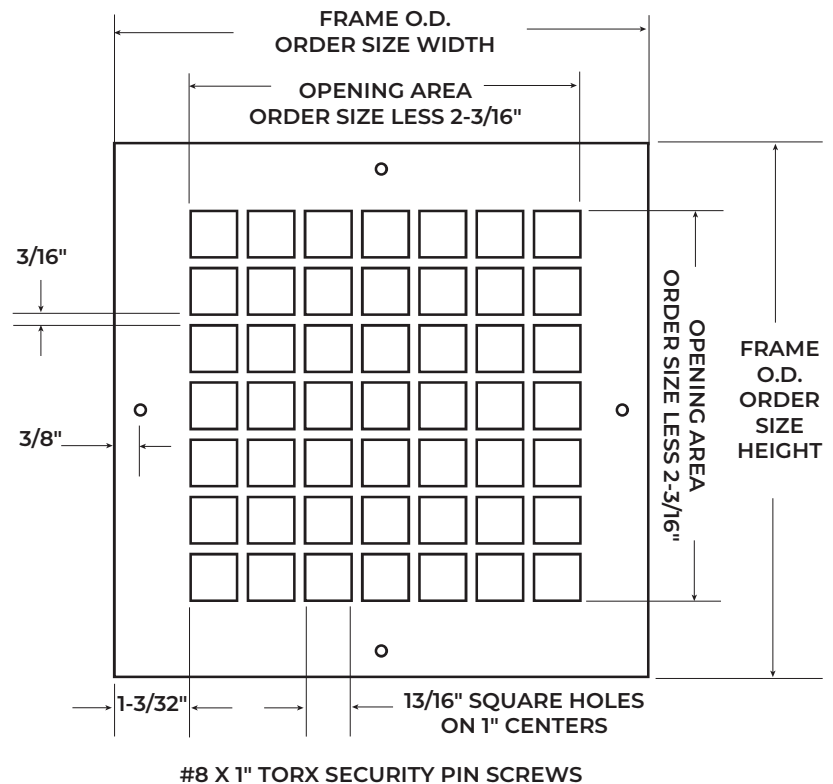
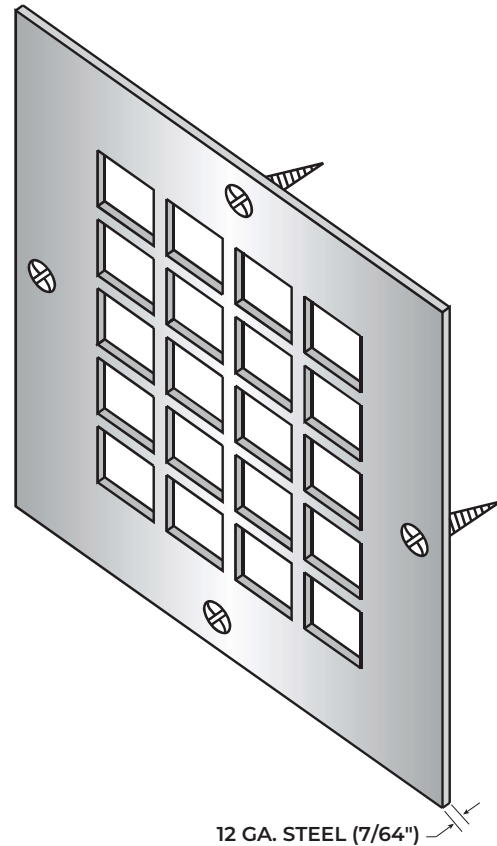
Not To Scale

FOR WALLS OR DOORS

- ▶ 12 Ga. Cold Rolled Steel Lattice Security Grille
- ▶ 1³/₁₆" Square Holes on 1" Centers
- ▶ #8 x 3/4" Torx Security Pin Screws
- ▶ Free Area 66%
- ▶ Gray Primer (GPZ) Powder Coat Finish

Available Options

- ▶ Powder Coat Color Options - See Page L3
- ▶ Aluminum Insect Screen - 22 Ga. 1/8" Square Mesh
Supplied Loose (Not Available on DSFP-316SS)
- ▶ Zinc Electroplating (Not Available on Insect Screen)
- ▶ Type 316 Stainless Steel – Specify DSFP-316SS



DSFP-PERF

SECURITY GRILLE FACE PLATE

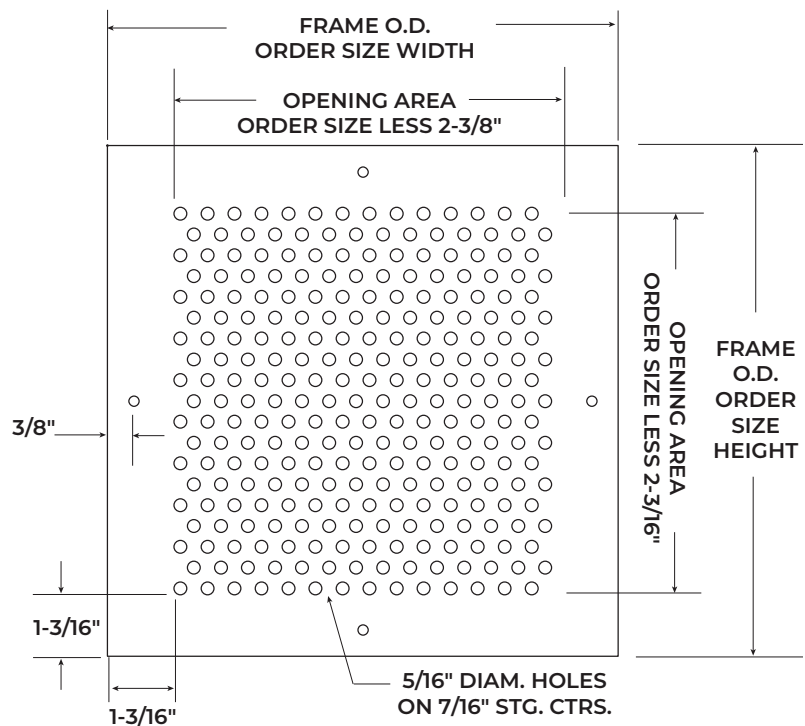
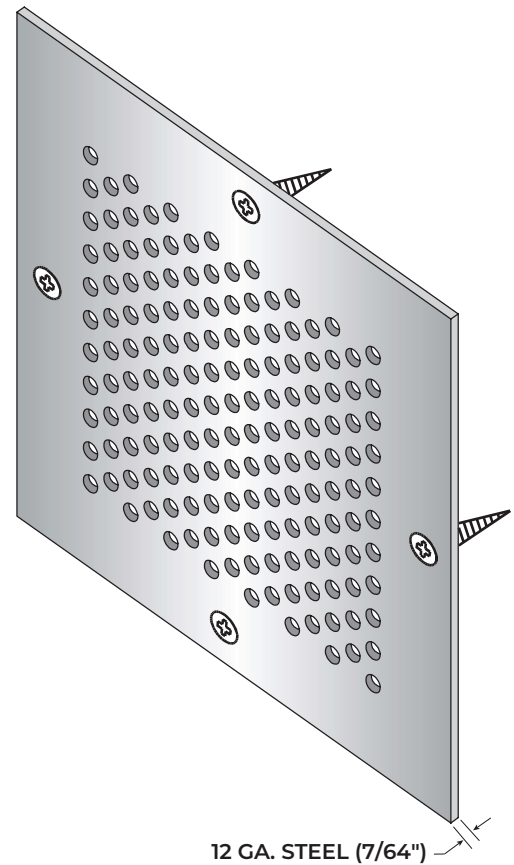
Anemostat
DOOR PRODUCTS

FOR WALLS OR DOORS

- ▶ 12 Ga. Cold Rolled Steel Perforated Security Grille
- ▶ $\frac{5}{16}$ " Diameter Holes on $\frac{7}{16}$ " Staggered Centers
- ▶ #8 x $\frac{3}{4}$ " Torx Security Pin Screws
- ▶ Free Area 46%
- ▶ Gray Primer (GPZ) Powder Coat Finish

Available Options

- ▶ Powder Coat Color Options - See Page L3
- ▶ Aluminum Insect Screen - 22 Ga. $\frac{1}{8}$ " Square Mesh
Supplied Loose
- ▶ Zinc Electroplating (Not Available on Insect Screen)



Not To Scale

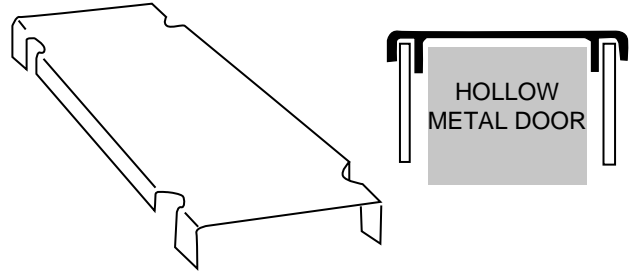
L-CLIPS

OPTIONAL REINFORCEMENT

FOR 1 3/4" HOLLOW METAL DOORS



- 20 Ga. Steel
- 4" Length Clip
- For Spot Reinforcement of Cutouts in Hollow Metal Doors
- NGP Lite Kits on Fire-Rated Hollow Metal Doors Do **NOT** Require L-Clips or Channels Welded in the Doors



FASTENERS

FOR LITES AND LOUVERS



PHILLIPS HEAD
TOP VIEW



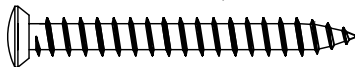
TORX SECURITY
TOP VIEW



HEX HEAD WASHER
TOP VIEW

OH = OVAL HEAD TYPE
U/C = UNDERCUT
TH = TRUSS HEAD TYPE
SMS = SHEET METAL SCREW
TB = THRU-BOLT
HW = HEX HEAD WASHER

#8 OH PHILLIPS U/C SMS
410 S/S MATERIAL
LENGTHS = 1-1/4", 1-3/4"



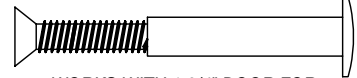
WORKS WITH:
L-FRA100, L-FRA100-SP
L-FRA100-RD, L-CVFMSS

#6 TH PHILLIPS SMS
410 SS MATERIAL
LENGTHS = 1", 1-3/4"



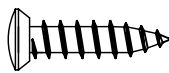
WORKS WITH:
L-GLF100, L-GLF100-SP
L-SG100

#8 X 3/2 THRU-BOLT
410 S/S MATERIAL



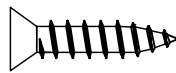
WORKS WITH 1-3/4" DOOR FOR:
L-GLF100-TB, L-GLF100-SP-TB
L-SG100-TB AND THRU
BOLTED LOUVERS

#8 X 3/4" OH
PHILLIPS U/C SMS
410 SS MATERIAL



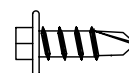
WORKS WITH:
L-700-RX, L-700-SERIES, L-A700-SERIES

#8 X 3/4" PH
PHILLIPS 410SS
SMS

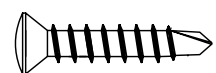


WORKS WITH:
L-1800, L-1900

#8 X 1/2" HW
TEK ZINC SCREW



#8 X 1" OH PHILLIPS
TEK ZINC SCREW



WORKS WITH 1-3/4" DOOR FOR:
L-VGLF-WD, L-VGLF-PZ, L-VGLF-MD,
L-VGLF-MDL, L-VGLF-OG, L-VGLF-SF



NOTES

NOTES



For the most up-to-date
Lite Kits & Louvers
Catalog scan the QR code
or visit ngp.com.



ngp.com
1-800-NGP-RUSH

FAX: (800) 255-7874
QUOTES: quotes@ngp.com
ORDERS: orders@ngp.com

NGP MEMPHIS
4985 East Raines Road
Memphis, TN 38118

CARSON CITY
3689 Arrowhead Drive
Carson City, NV 89706