

NATIONAL GUARD PRODUCTS, INC.

PHONE: 800-647-7874
FAX: 800-255-7874

www.ngp.com

ORDER FORM FOR SSD OVER GLASS OR GLASS WITH BEAD

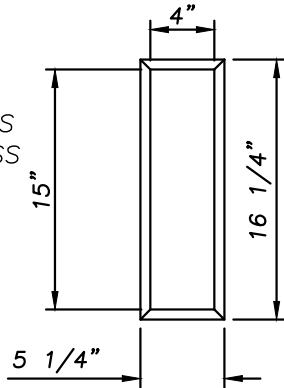
NOTE: GLASS BEAD MUST BE FLUSH WITH THE DOOR

SSD OVER GLASS WITH BEAD GLASS VIEW

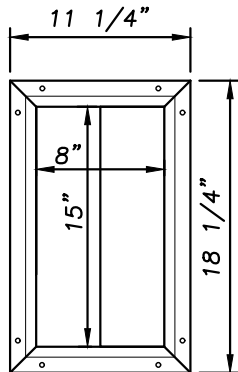
STEP 1:
OUTSIDE WIDTH DIMENSION OF GLASS VIEW X 2
EXAMPLE = 4" X 2 = 8"

STEP 2:
OUTSIDE HEIGHT DIMENSION OF GLASS VIEW.
EXAMPLE = 15"
GLASS BEAD MUST BE FLUSH WITH DOOR FACE.

INSTALLED GLASS
WITH 5/8" GLASS
BEAD.
EXAMPLE:
GLASS VIEW =
4"W X 15"H



SSD INSTALLED
OVER THE
GLASS MATERIAL.
EXAMPLE:
ORDER SIZE =
8"W X 15"H



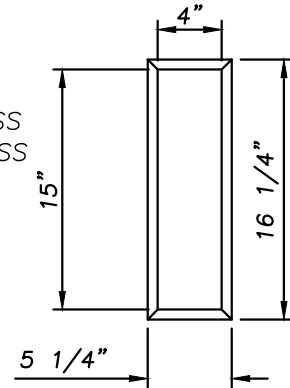
SSD OVER GLASS WITH BEAD VIEW WITH EXPOSED GLASS BEAD

STEP 1:
OUTSIDE WIDTH DIMENSION OF CUTOUT X 2
EXAMPLE = 5-1/4" X 2 = 10-1/2"

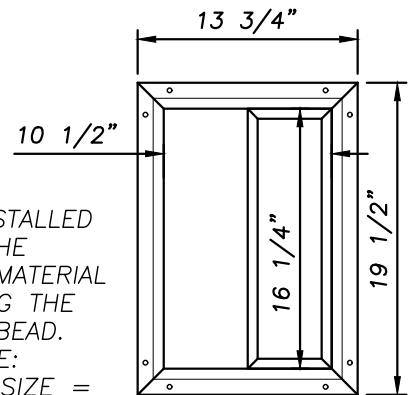
STEP 2:
OUTSIDE HEIGHT DIMENSION OF VISION FRAME.
EXAMPLE = 16-1/4"

THE GLASS BEAD MUST BE FLUSH TO THE DOOR.
THE GLASS BEAD SHOULD BE MOUNTED INTO
THE CUTOUT.

INSTALLED GLASS
WITH 5/8" GLASS
BEAD.
EXAMPLE:
GLASS VIEW =
4"W X 15"H



SSD INSTALLED
OVER THE
GLASS MATERIAL
SHOWING THE
GLASS BEAD.
EXAMPLE:
ORDER SIZE =
10-1/2"W X 16-1/4"H



COMPANY:

PO#:

DATE:

JOB NAME:

MODEL #:

FINISH:

SIGNATURE:

SSD ORDER SIZE:

____ "W X ____ "H

ORDER WORK SHEET

____ "WIDTH X 2 = ____ "

____ "HEIGHT = ____ "