

NATIONAL GUARD PRODUCTS, INC.

PHONE: 800-647-7874
 FAX: 800-255-7874

www.ngp.com

ORDER FORM FOR SSD OVER GLASS WITH BEAD

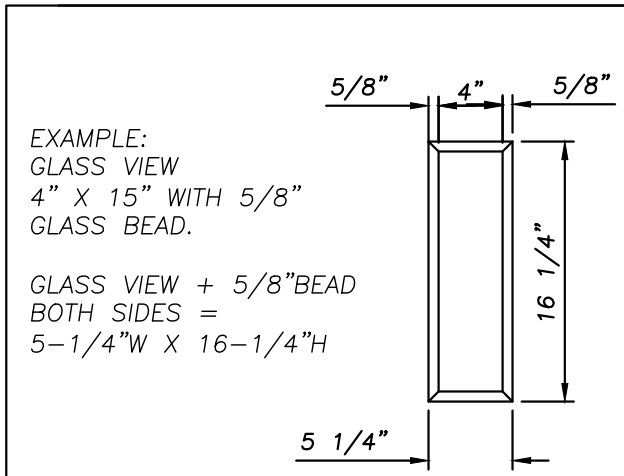
NOTE: GLASS BEAD MUST BE FLUSH WITH THE DOOR

STEP 1:
 OUTSIDE WIDTH DIMENSION OF GLASS VIEW PLUS GLASS BEAD BOTH SIDES
 EXAMPLE = $5\text{-}1/4" \times 2 = 10\text{-}1/2"$

STEP 2:
 OUTSIDE HEIGHT DIMENSION OF GLASS VIEW PLUS GLASS BEAD BOTH SIDES.
 EXAMPLE = $16\text{-}1/4"$

THE GLASS BEAD MUST BE FLUSH TO THE DOOR.

SSD FRAME O.D. = ORDER SIZE PLUS 3"

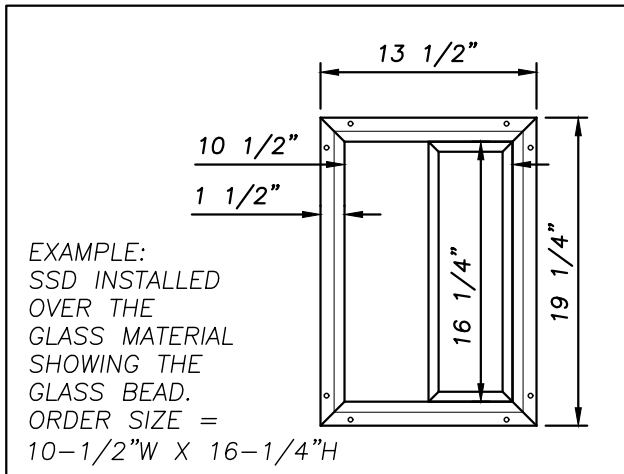


COVER GLASS PLUS GLASS BEAD

ORDER SIZE WORK SHEET

GLASS VIEW + 5/8" BEAD
 BOTH SIDES
 _____ "W X _____ "H

SSD ORDER SIZE:
 _____ "WIDTH X 2 = _____ "
 _____ "HEIGHT = _____ "



COMPANY:	
PO#:	DATE:
JOB NAME:	
MODEL #:	FINISH:
SIGNATURE:	