



GLASS

FIRE, SAFETY
& SPECIALTY



GLASS INDEX:

GLASS

Fire-Protective Safety	GL3-GL8
Glass with Integrated Mini Blinds	GL10
Glazing Tape	GL14
Insulated Tempered	GL9
Laminated	GL11
Polycarbonate High Impact	GL11
Specialty Glass	GL12-GL13
Tempered	GL9

NUMERICAL INDEX:

Model	Page
FIRELITE® NT	GL5
Glazing Tape	GL14
Laminated	GL11
L-Mini Blinds 1" IGU	GL10
Polycarbonate High Impact	GL11
Protect3™ Fire-Protective Safety-Wired	GL6
Pyran® Platinum F Fire-Protective Safety Ceramic	GL3
Pyran® Platinum F 1" IGU Insulated Fire-Protective Safety Glass	
. Ceramic/Tempered Glass	GL4
Pyran® Platinum L Fire-Protective Safety Ceramic	GL8
X-ray Radiation Shielding Glass Specialty Glass	GL12
Protect-BR3 Specialty Glass	GL12
Protect-FE Specialty Glass	GL13
Protect-WS Specialty Glass	GL13
Tempered	GL9
Insulated Tempered	GL9
20T 20-Minute Fire-Protective	GL7

TECHNICAL INFORMATION

RATINGS



POSITIVE PRESSURE - CERTIFIED by UL to ANSI/UL10C. Complies with IBC, NFPA 80 and NFPA 252 for application to hollow metal fire doors and wood fire doors. Refer to product pages for specific minute ratings.



CERTIFIED by UL to CAN/ULC-S104 and ANSI/UL10B. Complies with NFPA 80 and NFPA 252 for application to hollow metal fire doors and wood fire doors. Refer to product pages for specific minute ratings.

BUY AMERICAN

REQUIREMENTS

Buy American Act

Over 99% of our products are produced in the United States as a domestic construction material, as defined in the Buy American Act (BAA) of March 1933 and amended by the Buy American Act of 1988 and FAR 52.225-9. A Buy American certificate may be obtained on our website ngp.com.

Build America, Buy America Act

Most of our products comply with Build America, Buy America Act requirements under Title IX of the Infrastructure Investment and Jobs Act (IIJA), Pub. L. 117-58, §§ 70901-70953. Contact us for a Certificate of Compliance for products being supplied on your project.

Acoustical Testing to:

<i>ASTM E 90</i>	Standard Test Method for Laboratory Measurement of Airborne Sound Transmission Loss of Building Partitions and Elements
<i>ASTM E 413</i>	Classification for Rating Sound Insulation
<i>ASTM E 1332</i>	Standard Classification for Rating Outdoor-Indoor Transmission Class
<i>ASTM E 2235</i>	Standard Test Method for Determination of Decay Rates for Use in Sound Insulation Test Methods

STC Ratings

Protect3™	STC 28
20T	STC 28
Polycarbonate ¼"	STC 29
Pyran® Platinum F	STC 31
Tempered ¼"	STC 31
Polycarbonate ½"	STC 34
FireLite®NT	STC 35
Insulated Tempered 1"	STC 35
Laminated ¼"	STC 35
Pyran® Platinum L	STC 36
Insulated Laminated 1"	STC 42

PYRAN[®] PLATINUM F

FIRE-PROTECTIVE SAFETY GLASS CERAMIC

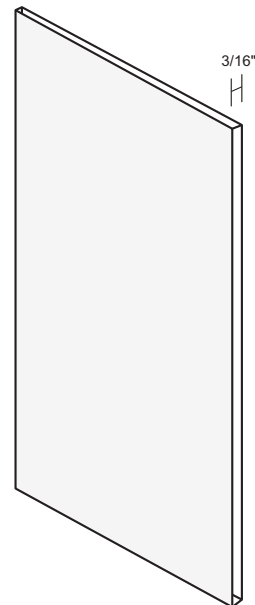
- ▶ 3/16" (5mm) Thick Glass Ceramic
- ▶ Heavy-Duty 7 Mil Durable Safety Film
- ▶ Neutral Coloration - Clear and Wireless
- ▶ Advanced Manufacturing Process Eliminates the Need for Surface Polishing
- ▶ Etched With UL Classification on Each Piece
- ▶ 3-Year Manufacturer Warranty
- ▶ Weight: 2.5 Lbs./Sq. Ft.
- ▶ STC 31 Rating

Decorative Options

- ▶ White Frosted
- ▶ Opaque Black
- ▶ Opaque Mirrored Finish (both sides)

Fire-Rating Information

- ▶ Certified by UL to ANSI/UL 9, ANSI/UL10B, ANSI/UL10C, CAN/ULC-S104, ULC CAN4-S106 With Closed Cell PVC Foam Glazing Tape Like NGP L-GT-116, L-GT-118, or L-GT-132
- ▶ IBC Applicable Edition May Limit Maximum Size Allowable



Rating	Application	Max. Visible Glass Area (Sq. Inches)	Max. Width Visible Glass	Max. Height Visible Glass
20, 45, 60, 90 Minute	Doors* (Non-Temp Rise)	3,708	37 3/4"	98 1/4"
20, 45, 60, 90 Minute	Side-Lites, Borrowed Lites, Transom Lites	4,933	98 1/4"	98 1/4"
180 Minute	Doors* Including Temp-Rise	100	12"	33"

*With Fire-Rated Glass Lite Kit

Impact Safety Rating Information

Meets ANSI Z97.1, Class A

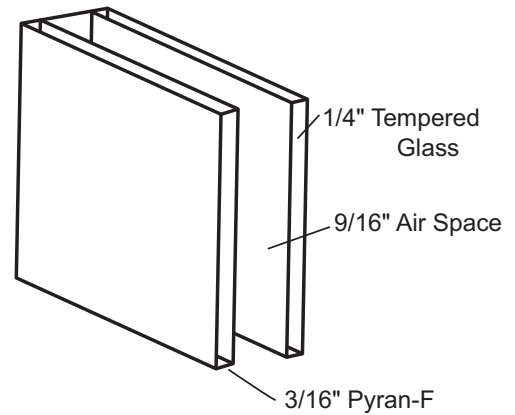
Meets CPSC 16CFR 1201 (Category I and II)

Complies With IBC Requirements for Use in Doors, Side-Lites, Transom Lites and Borrowed Lites

PYRAN® PLATINUM F 1" IGU

INSULATED FIRE-PROTECTIVE SAFETY GLASS CERAMIC/TEMPERED GLASS

- ▶ 1" Thick - Consists of 3/16" (5mm) Thick Filmed Glass Ceramic and 1/4" Thick Clear Tempered Glass With 9/16" Air Space Between and Butyl Seal
- ▶ Increased Energy Efficiency
- ▶ Can NOT Be Cut After Manufacturing
- ▶ Heavy-Duty 7 Mil Durable Safety Film on Pyran F
- ▶ Neutral Coloration - Clear and Wireless
- ▶ Etched With UL Classification
- ▶ 3-Year Manufacturer Warranty
- ▶ STC 35 Rating



Rating	Application	Max. Visible Glass Area (Sq. Inches)	Max. Width Visible Glass	Max. Height Visible Glass
20, 45, 60, 90 Minute	Doors* (Non-Temp Rise)	3,708	37 3/4"	98 1/4"
20, 45, 60, 90 Minute	Side-Lites, Borrowed Lites, Transom Lites	4,933	98 1/4"	98 1/4"
180 Minute	Doors* Including Temp-Rise	100	12"	33"

*With Fire-Rated Glass Lite Kit

Impact Safety Rating Information

Meets ANSI Z97.1, Class A

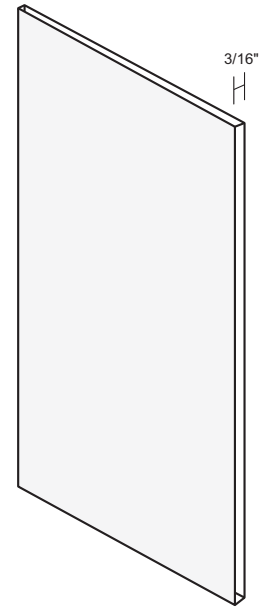
Meets CPSC 16CFR 1201 (Category I and II)

Complies With IBC Requirements for Use in Doors, Side-Lites, Transom Lites and Borrowed Lites

FireLite[®] NT

FIRE-PROTECTIVE SAFETY GLASS CERAMIC

- ▶ 3/16" (5mm) Thick Glass Ceramic
- ▶ Fire-Rated Surface Applied Safety Film
- ▶ Neutral Coloration - Clear and Wireless
- ▶ ultraHD[®] Technology for Improved Surface Quality, Clarity and Color
- ▶ Etched With UL Classification on Each Piece
- ▶ 3-Year Manufacturer Warranty
- ▶ Weight: 2.56 Lbs./Sq. Ft.
- ▶ STC 35 Rating



Fire-Rating Information

- ▶ Certified by UL to ANSI/UL 9, ANSI/UL10B, ANSI/UL10C, CAN/ULC-S104, ULC CAN4-S106 With Closed Cell PVC Foam Glazing Tape Like NGP L-GT-116, L-GT-118, or L-GT-132
- ▶ IBC Applicable Edition May Limit Maximum Size Allowable

Rating	Application	Max. Visible Glass Area (Sq. Inches)	Max. Width Visible Glass	Max. Height Visible Glass
20, 45, 60 Minute	Doors* (Non-Temp Rise)	3,204	36"	89"
20, 45, 60 Minute	Side-Lites, Borrowed Lites, Transom Lites	3,325	95"	95"
90 Minute	Doors* (Non-Temp Rise)	1,393	36"	56 1/2"
90 Minute	Side-Lites, Borrowed Lites, Transom Lites	1,393	56 1/2"	56 1/2"
180 Minute	Doors* Including Temp-Rise	100	12"	33"

*With Fire-Rated Glass Lite Kit

Impact Safety Rating Information

Meets ANSI Z97.1, Class A

Meets CPSC 16CFR 1201 (Category I and II)

Complies With IBC Requirements for Use in Doors, Side-Lites, Transom Lites and Borrowed Lites

PROTECT3™

FIRE-PROTECTIVE SAFETY-WIRED GLASS

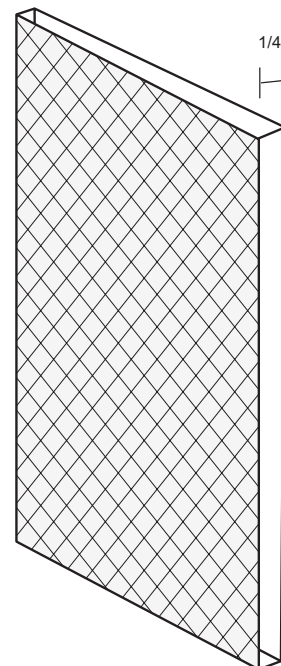
- ▶ 1/4" (6mm) Thick
- ▶ 3/4" X 3/4" Diamond Pattern Electrically Welded Steel Wire Mesh
- ▶ Heavy-Duty Fire-Rated and Impact-Safety Rated Film
- ▶ Maintains Integrity When Fractured or Subjected to a Hose Stream
- ▶ Etched With UL Classification on Each Piece
- ▶ Weight: 3.6 Lbs./Sq. Ft.
- ▶ STC 28 Rating

Options

- ▶ 1/2" x 1/2" Square Pattern Electrically Welded Steel Wire Mesh

Fire-Rating Information

- ▶ Certified by UL to ANSI/UL 9, ANSI/UL10B, ANSI/UL10C, CAN/ULC-S104, ULC CAN4-S106 With Closed Cell PVC Foam Glazing Tape Like NGP L-GT-116, L-GT-118, L-GT-132 or L-GT-316



Rating	Application	Max. Visible Glass Area (Sq. Inches)	Max. Width Visible Glass	Max. Height Visible Glass
20, 45 Minute	Doors -*, Side Lites, Borrowed Lites, Transom Lites	1,296	54"	54"
60, 90 Minute	Doors*	100	12"	33"

*With Fire-Rated Glass Lite Kit

Impact Safety Rating Information

Meets ANSI Z97.1, Class A

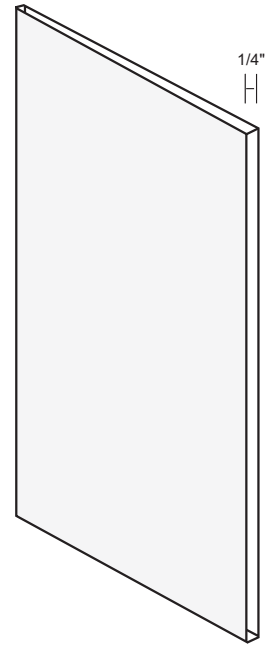
Meets CPSC 16CFR 1201 (Category I and II)

Complies With IBC Requirements for Use in Doors, Side-Lites, Transom Lites and Borrowed Lites

20T

20-MINUTE FIRE-PROTECTIVE GLASS

- ▶ 1/4" Thick Tempered Fire-Rated Glass
- ▶ Superior Optical Clarity – Clear and Wireless
- ▶ Economical Fire and Safety Rated Glass
- ▶ Etched With Fire and Impact Safety Classification on Each Piece
- ▶ This Glass is Cut to Size Then Heat Treated (Tempered) to Achieve Its Safety Rating Properties
- ▶ Orders for this Product are Non-Changeable and Non-Cancellable
- ▶ Manufactured in USA
- ▶ Weight: 3 Lbs./Sq. Ft.
- ▶ STC 28 Rating



Fire-Rating Information

- ▶ Certified by UL to ANSI/UL10C, With Closed Cell PVC Foam Glazing Tape Like NGP L-GT-116, L-GT-118, L-GT-132, or L-GT-316

Rating	Application	Max. Visible Glass Area (Sq. Inches)	Max. Width Visible Glass	Max. Height Visible Glass
20-Minute No Hose Stream	Wood or H.M. Doors*	2,934	34"	86"

*With Steel Fire-Rated Glass Lite Kit

Impact Safety Rating Information

Meets ANSI Z97.1, Class A

Meets CPSC 16CFR 1201 (Category I and II)

Complies With IBC Requirements for Use in Doors

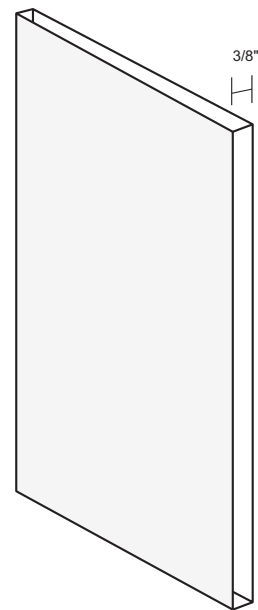
PYRAN[®] PLATINUM L

FIRE-PROTECTIVE SAFETY GLASS CERAMIC

- ▶ 3/8" (5mm) Thick Laminated Glass Ceramic
- ▶ Neutral Coloration - Clear and Wireless
- ▶ Advanced Manufacturing Process Eliminates the Need for Surface Polishing
- ▶ Etched With UL Classification on Each Piece
- ▶ 5-Year Manufacturer Warranty
- ▶ Weight: 4 Lbs./Sq. Ft.
- ▶ STC 36 Rating

Fire-Rating Information

- ▶ Certified by UL to ANSI/UL 9, ANSI/UL10B, ANSI/UL10C, CAN/ULC-S104, ULC CAN4-S106 With Closed Cell PVC Foam Glazing Tape Like NGP L-GT-116, L-GT-118, or L-GT-132
- ▶ IBC Applicable Edition May Limit Maximum Size Allowable



Rating	Application	Max. Visible Glass Area (Sq. Inches)	Max. Width Visible Glass	Max. Height Visible Glass
20, 45, 60, 90 Minute	Doors* (Non-Temp Rise)	2,736	36"	75"
20, 45, 60, 90 Minute	Side-Lites, Borrowed Lites, Transom Lites	3,143	75"	75"
180 Minute	Doors* Including Temp-Rise	100	12"	33"

*With Fire-Rated Glass Lite Kit

Impact Safety Rating Information

Meets ANSI Z97.1, Class A

Meets CPSC 16CFR 1201 (Category I and II)

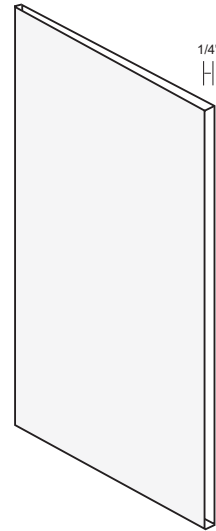
Complies With IBC Requirements for Use in Doors, Side-Lites, Transom Lites and Borrowed Lites

TEMPERED GLASS

- ▶ 1/4" Thick Clear Heat Treated Glass
- ▶ Approximately 4 Times Stronger Than Annealed (Ordinary) Glass
- ▶ Breaks Into Small Harmless Fragments
- ▶ Can **NOT** Be Cut After Manufacturing
- ▶ 11" Minimum Height
- ▶ Manufactured in USA
- ▶ **NOT** Fire-Rated
- ▶ STC 31 Rating

Impact Safety Rating Information

Complies With IBC Requirements for Use in Doors.
Meets ANSI Z97.1 Class A and CPSC 16CFR 1201 (CAT I and II)

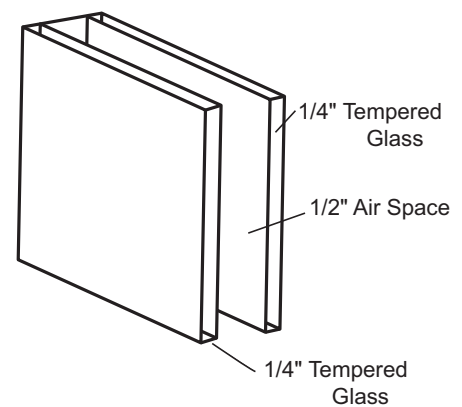


INSULATED TEMPERED GLASS

- ▶ 1" Thick - Consists of Two Pieces of 1/4" Thick Clear Tempered Glass With 1/2" Air Space Between and Butyl Seal
- ▶ Increased Energy Efficiency
- ▶ Approximately 4 Times Stronger Than Annealed (Ordinary) Glass
- ▶ Breaks Into Small Harmless Fragments
- ▶ Can **NOT** Be Cut After Manufacturing
- ▶ Manufactured in USA
- ▶ 5-Year Manufacturer Warranty
- ▶ **NOT** Fire-Rated
- ▶ STC 35 Rating

Impact Safety Rating Information

Complies With IBC Requirements for Use in Doors
Meets ANSI Z97.1 Class A and CPSC 16CFR 1201 (CAT I and II)



L-MINI BLINDS 1" IGU

GLASS WITH INTEGRATED MINI BLINDS

Mini Blind Insulated Glass Units are for Lite Kit and Borrowed Lite Applications.

- ▶ Commercial Grade Hermetically Sealed Venetian Blind System Inside Insulating Glass Unit – 1" Thick
- ▶ Interior or Exterior Applications
- ▶ Clear Tempered Safety Glass Both Sides
- ▶ Magnetic Slider, Placed on the Right or Left-Hand Side of the Glass for Tilting, Lowering and Raising Functions
- ▶ Minimum Width 8⁵/₈", Maximum Width 35³/₄"
- ▶ Minimum Height 14", Maximum Height 80"
- ▶ Fits Low Profile L-FRA100-SP Lite Kit
- ▶ Standard Blind Color is White
- ▶ Orders for this Product are Non-Changeable and Non-Cancellable

Premium Blind Colors Available at Additional Charge

- ▶ Aluminum Silver (Silver Moon)
- ▶ Beige (Sand)
- ▶ California Bronze (Espresso)
- ▶ Magnolia White (White)
- ▶ Slate Gray
- ▶ Tan

Impact Safety Rating Information

- ▶ Meets ANSI Z97.1, Class A
- ▶ Meets CPSC 16CFR 1201 (Category I and II)
- ▶ Complies With IBC Requirements for Use in Doors

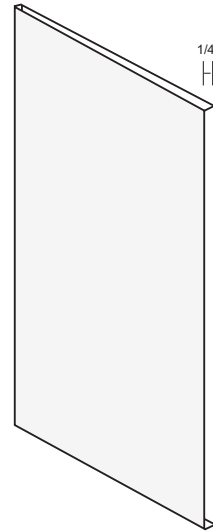


LAMINATED GLASS

- ▶ 1/4" Thick Laminated Architectural Glass
- ▶ Comprised of Two Plies of Glass and a .030" PVB Interlayer
- ▶ Manufactured in USA
- ▶ **NOT** Fire-Rated
- ▶ STC 35 Rating

Impact Safety Rating Information

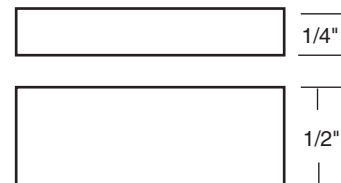
Complies With IBC Requirements for Use in Doors.
Meets ANSI Z97.1 Class A and CPSC 16CFR 1201 (CAT I and II)



POLYCARBONATE HIGH IMPACT

- ▶ Burglary-Resistant Material. Meets UL Standard 972
- ▶ Available in 1/4", 1/2" Thicknesses (Specify on Order)
- ▶ Colorless Transparent Sheet
- ▶ Virtually Unbreakable - 300 Times Stronger Than Ordinary Glass
- ▶ Unlikely to Shatter or Chip When Bombarded With Thrown Rocks, Bricks or Bottles
- ▶ UV Stabilized to Resist Solar Exposure
- ▶ Manufactured in USA
- ▶ 5-Year Manufacturer Warranty
- ▶ **NOT** Fire-Rated
- ▶ Acoustical Ratings: 1/4" = STC 29
1/2" = STC 34

Thicknesses Available



Impact Safety Rating Information

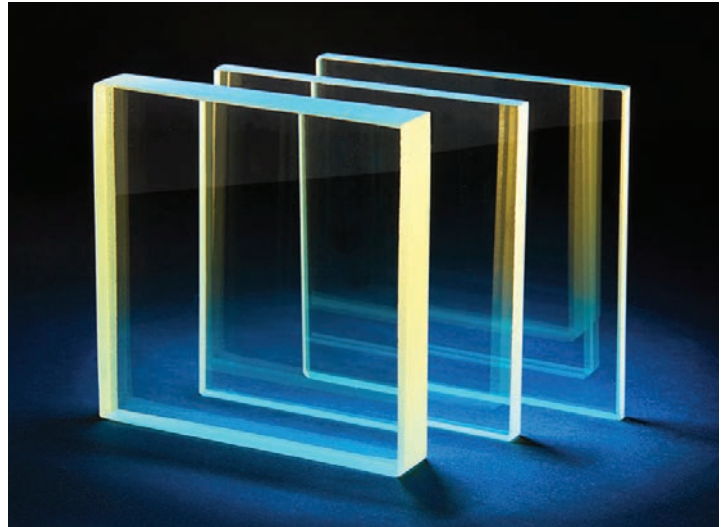
Complies With IBC Requirements for Use in Doors
Meets ANSI Z97.1 Class A and CPSC 16CFR 1201 (CAT I and II)

X-RAY RADIATION SHIELDING GLASS

- ▶ 1/16" (1.6mm) Lead Equivalency
- ▶ Thickness 7/16" to 9/16"
- ▶ Lead Content 55% to 65% Pb
- ▶ Appearance: Clear with Yellow Hue Due to Radiation Protective Oxide Contents
- ▶ Weight: 8+ Lbs./Sq. Ft.
- ▶ Available in 1/8" (3.2mm) Lead Equivalency Upon Request
- ▶ Maximum Size: 48" x 96"

Impact Safety Rating Information

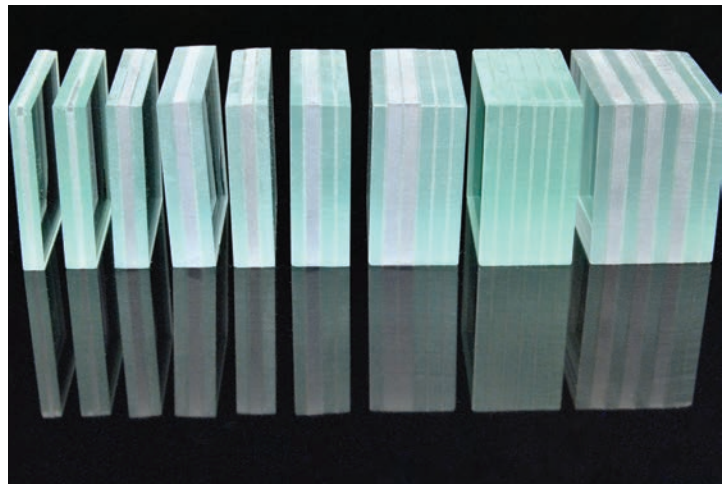
- ▶ Complies With IBC Requirements for Use in Doors
- ▶ Permanently Labeled ANSI Z97.1 Class A and CPSC 16CFR 1201 Cat II



PROTECT-BR3

HIGH PERFORMANCE BULLET-RESISTING GLASS

- ▶ UL 752 Level 3, Including Spall Protection (.44 Magnum)
- ▶ Max Size: 70 7/8" x 94 1/2"
- ▶ Thickness: 1 1/2" (38mm)
- ▶ Weight: 18 Lbs./Sq. Ft.
- ▶ Does Not Contain Polycarbonate Which Can Discolor, Get Scratched or De-Laminate
- ▶ Features Replaceable Spall Protection Film
- ▶ Designed for Use in Similarly Rated Door and Window Assemblies
- ▶ Other Ballistic Levels Available on Special Order



PROTECT-WS

HIGH PERFORMANCE WINDSTORM/HURRICANE GLASS

- For Use in Windstorm-Rated Assemblies
- Max Size: 70⁷/₈" x 86⁵/₈"
- Thickness: ½" (12 mm)
- Weight: 5.5 lbs./Sq. Ft.
- Does Not Contain Polycarbonate, SGP or Other Stiff Interlayers Which Can Discolor, Get Scratched or De-laminate
- Laminated with 0.090" PVB
- Furnished in STORM-PRO-HR Lite Kit (Florida Building Code #FL47124)
 - + Design Pressure = +/- 75 PSF
 - + Missile Level "D" and Includes Wind Zone 4 as Defined in ASTM E 1996 and FBC Sections 1609.1.2.2 & R301.2.1.2.1.
 - + Meets the Water Infiltration Requirements for the HVHZ

PROTECT-FE

FORCED ENTRY PROTECTION GLASS

- For Use In Forced Entry Related Assemblies
- Max Size: 70⁷/₈" x 86⁵/₈"
- Thickness: ½" (12mm)
- Weight: 5.5 Lbs/ Sq. Ft
- Does Not Contain Polycarbonate, SGP or Other Stiff Interlayers Which Can Discolor, Get Scratched or De-Laminate
- Laminated with 0.090" PVB
- Designed For Use in Forced Entry Rated Door and Window Applications. Meant to Slow Down Certain Types of Attacks
- Good Acoustic-Reducing Characteristics

Test Standards

Must be used by door or window manufacturers as a component in their certified door and window assemblies tested to one or more of the following test standards:

- Standard Test Method for Security Glazing Materials and Systems: ASTM F1233 class 1.1, Forced Entry, Ball-Peen Hammer
- Certification Standards for Retrofitting and Reinforcing of Standard Commercial Entry Systems, Windows and Glazing: 5-aa1: 5 Gunshots, 20 Bricks and 10 Kicks
- EUROPEAN Building Security Glazing: EN356 P5A SMASH and GRAB
- BURGLARY: UL 972 Burglary
- HURRICANE: ASTM E1996, Level D, Large Missile
- IMPACT-SAFETY: ANSI Z97.1 Cat II U-A 400 Ft.-Lbs. Impact

GLAZING TAPE

CLOSED CELL PVC FOAM

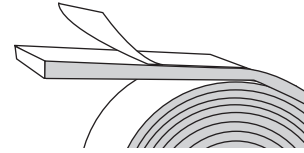
L-GT-114 – 3/8" Wide x 1/4" Thick - 50' Rolls

L-GT-116 – 3/8" Wide x 1/16" Thick - 200' Rolls

L-GT-118 – 3/8" Wide x 3/8" Thick - 100' Rolls

L-GT-132 – 3/8" Wide x 1/32" Thick - 200' Rolls

L-GT-316 – 3/8" Wide x 3/16" Thick - 50' Rolls



- ▶ Closed Cell PVC Foam Glazing Tape With Adhesive Both Sides
- ▶ Color is Black
- ▶ For Use in Lite Kits on UL10C Positive Pressure Fire-Rated Wood or Steel Doors
Rated Up To:
 - ▶ 20 Minutes With 20T or Fire Protective Wired Glass
 - ▶ 90 Minutes With Protect3™
 - ▶ 180 Minutes With Pyran® Platinum F or Pyran® Platinum L

INTUMESCENT

9800C 1/2" Wide x 1/16" Thick - 17', 21' and 150' Rolls

- ▶ Self-Adhesive Glazing Tape With Protective Skin
- ▶ Color is Black

BUTYL RUBBER

L-GT-16 3/8" Wide x 1/16" Thick - 50' Rolls

- ▶ Butyl Rubber Glazing Tape With Adhesive Both Sides
- ▶ Color is Black



For the most up-to-date
Glass Catalog scan
the QR code or
visit ngp.com.



ngp.com
1-800-NGP-RUSH

FAX: (800) 255-7874
QUOTES: quotes@ngp.com
ORDERS: orders@ngp.com

NGP MEMPHIS
4985 East Raines Road
Memphis, TN 38118

CARSON CITY
3689 Arrowhead Drive
Carson City, NV 89706