

NATIONAL GUARD PRODUCTS, INC.

PHONE: 800-647-7874
 FAX: 800-255-7874

www.ngp.com

ORDER FORM FOR SSD OVER LITE KIT

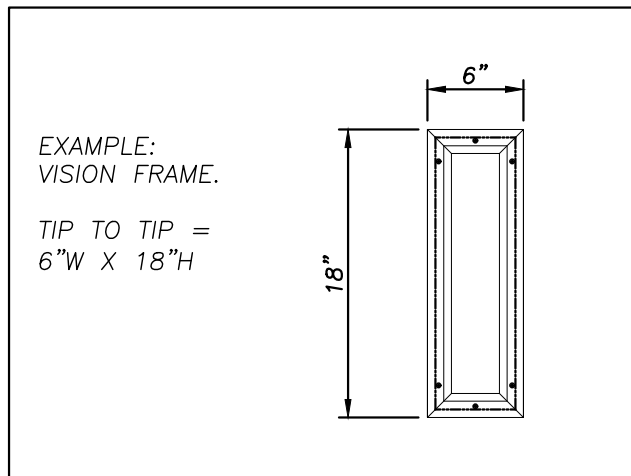
NOTE: VISION FRAME CAN NOT EXCEED 9/64" OFF DOOR

SSD OVER LITE KIT

STEP 1:
 OUTSIDE WIDTH DIMENSION OF VISION FRAME (TIP TO TIP) X 2
 EXAMPLE = 6" X 2 = 12"

STEP 2:
 OUTSIDE HEIGHT DIMENSION OF VISION FRAME (TIP TO TIP).
 EXAMPLE = 18"

SSD FRAME O.D. = ORDER SIZE PLUS 3"

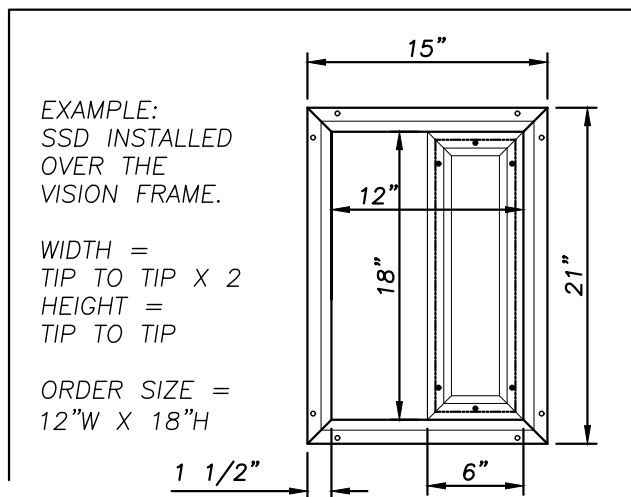


COVER LITE KIT

SSD ORDER SIZE:

LITE KIT TIP TO TIP
 _____"W X _____"H

ORDER WORK SHEET
 _____"WIDTH X 2 = _____"
 _____"HEIGHT = _____"



COMPANY:	
PO#:	DATE:
JOB NAME:	
MODEL #:	FINISH:
SIGNATURE:	