

NATIONAL GUARD PRODUCTS, INC.

PHONE: 800-647-7874
 FAX: 800-255-7874

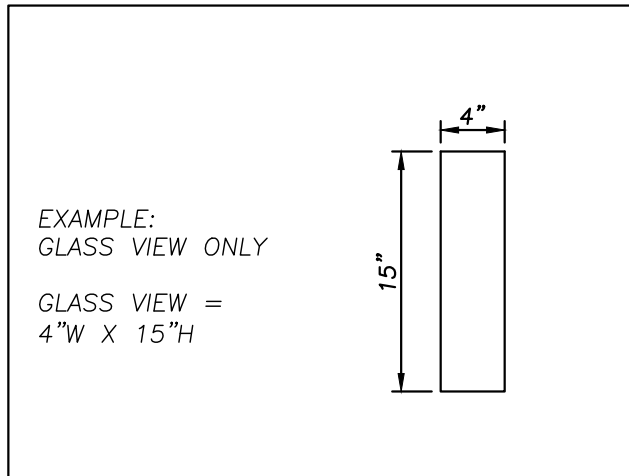
www.ngp.com

ORDER FORM FOR SSD OVER GLASS ONLY (GLASS VIEW)

NOTE: GLASS BEAD MUST BE FLUSH WITH THE DOOR

STEP 1:
 OUTSIDE WIDTH DIMENSION OF GLASS VIEW X 2 + 1"
 EXAMPLE = 4" X 2 + 1" = 9"

STEP 2:
 OUTSIDE HEIGHT DIMENSION OF GLASS VIEW.
 EXAMPLE = 15"
 GLASS BEAD MUST BE FLUSH WITH DOOR FACE.
 SSD FRAME O.D. = ORDER SIZE PLUS 3"

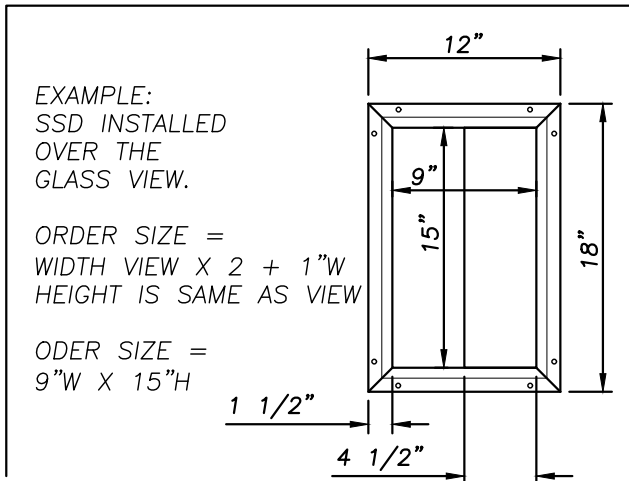


COVER GLASS ONLY

ORDER SIZE WORK SHEET

GLASS VIEW
 _____"W X _____"H

SSD ORDER SIZE:
 _____"WIDTH X 2 + 1" = _____"
 _____"HEIGHT = _____"



NOTE: THE ADDITION ABOVE
 ALLOWS FOR AN 1/2" OVERLAP TO
 COVER THE GLASS.

COMPANY:	
PO#:	DATE:
JOB NAME:	
MODEL #:	FINISH:
SIGNATURE:	