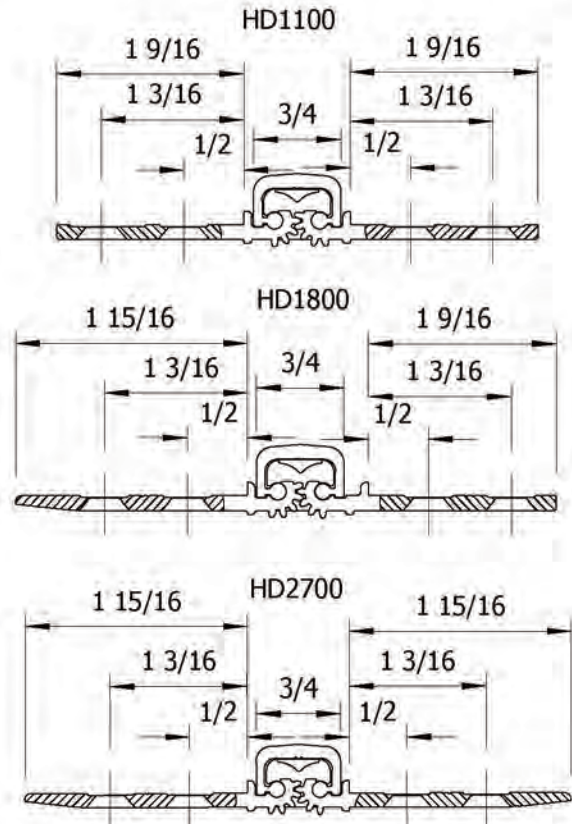
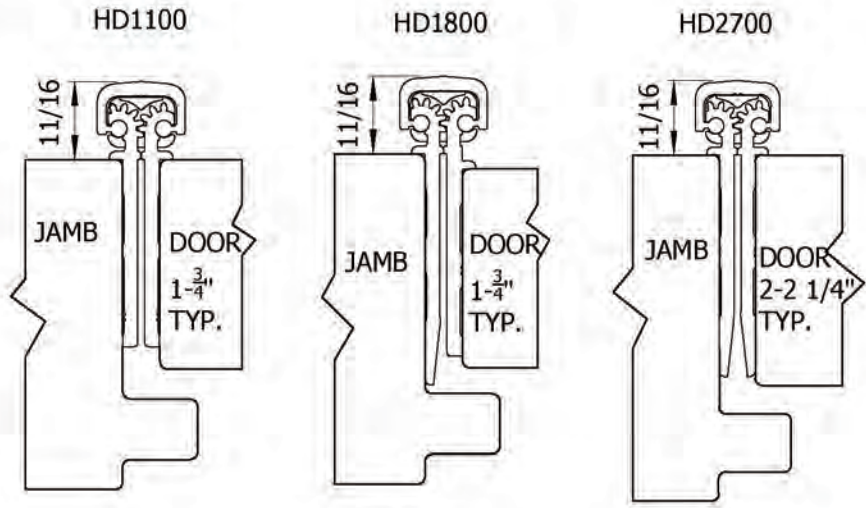
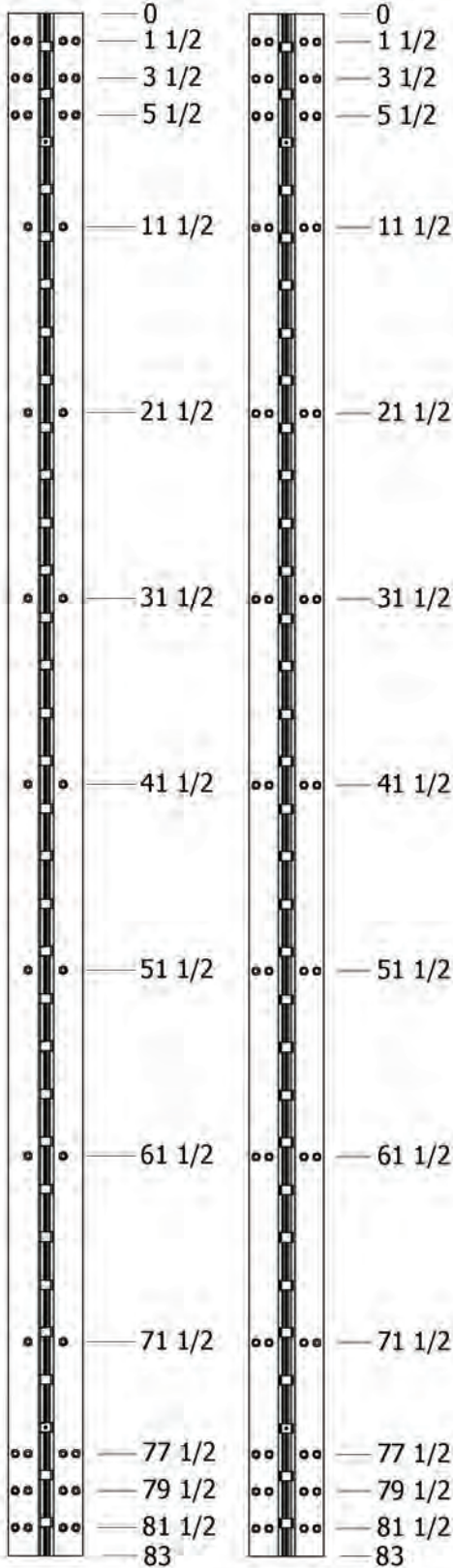



TEMPLATE CONCEALED CONTINUOUS GEARED ALUMINUM HINGE

HD1100-83"
 HD1800-83"
 HD2700-83"
 38 FASTENERS
 32 BEARINGS

HD1100-83"-LL
 HD1800-83"-LL
 HD2700-83"-LL
 52 FASTENERS
 32 BEARINGS



FASTENERS: #12-24 X $\frac{11}{16}$ PH. UNDERCUT TEK SCREW

REV	DESCRIPTION	DATE	APPR'D
A	ORIGINAL	5/23/2016	
REVISION HISTORY			
 National Guard Products, Inc. 4985 E. Raines Rd. Phone: 1 (800) 647-7874 Memphis TN 38118 Fax: 1 (800) 255-7874			
TITLE: HD1100/1800/2700-83" TEMPLATE			
DRAWN BY: B.NORWOOD		SCALE: N/A	DATE: 5/23/2016
			TEMPLATE NO. 101656