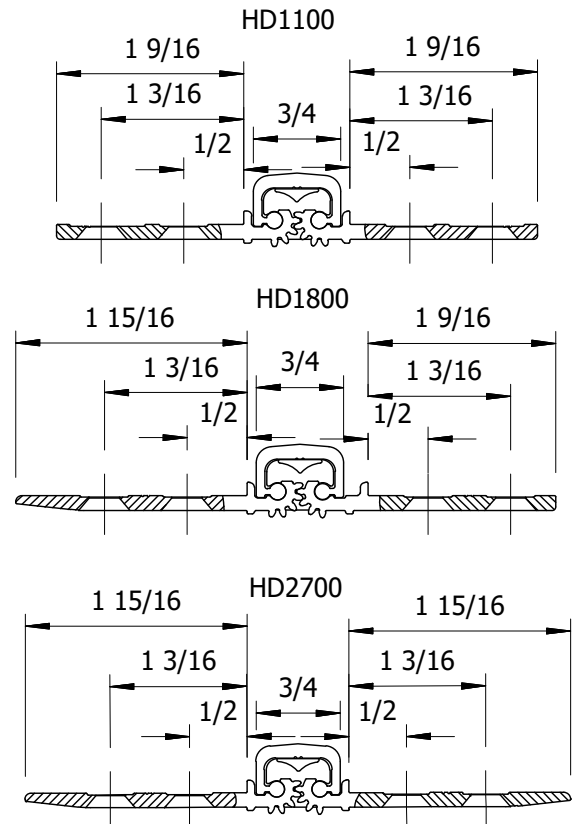
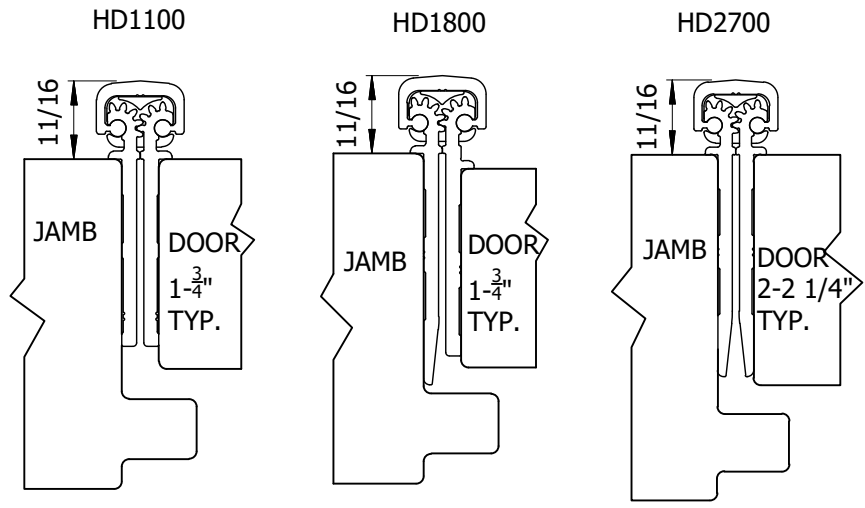
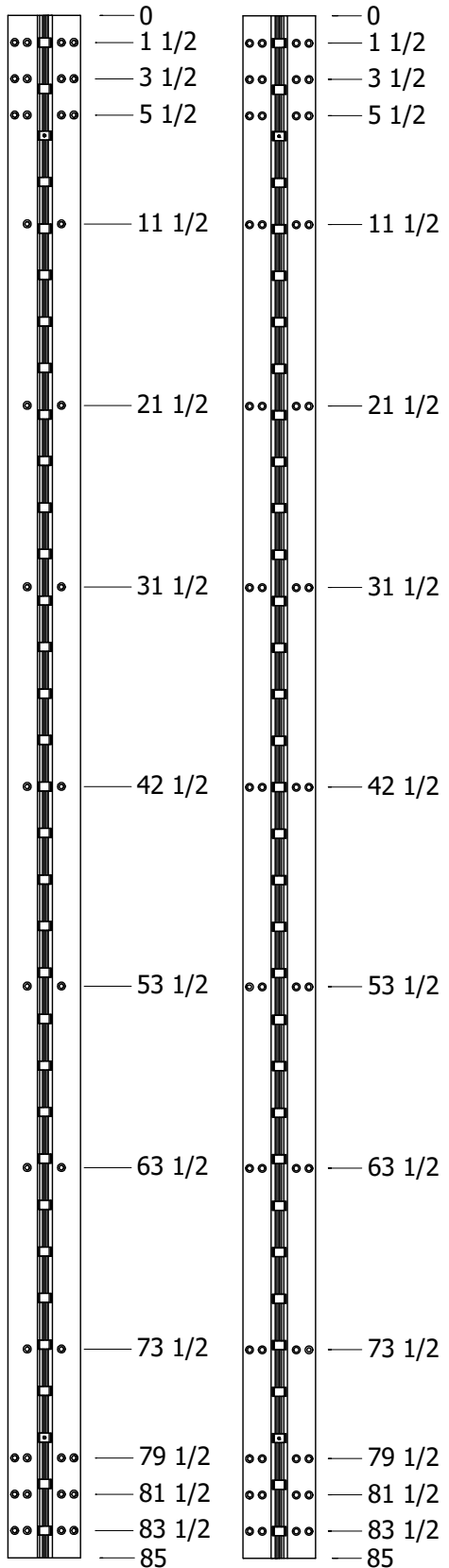


# TEMPLATE CONCEALED CONTINUOUS GEARED ALUMINUM HINGE

HD1100-85"  
 HD1800-85"  
 HD2700-85"  
 38 FASTENERS  
 33 BEARINGS

HD1100-85"-LL  
 HD1800-85"-LL  
 HD2700-85"-LL  
 52 FASTENERS  
 33 BEARINGS



FASTENERS: #12-24 X  $\frac{11}{16}$  PH. UNDERCUT TEK SCREW

A	ORIGINAL	5/23/2016	
REV	DESCRIPTION	DATE	APPR'D
REVISION HISTORY			
<b>National Guard Products, Inc.</b>			
4985 E. Raines Rd. Memphis TN 38118		Phone: 1 (800) 647-7874 Fax: 1 (800) 255-7874	
TITLE: HD1100/1800/2700-85" TEMPLATE			
DRAWN BY: B.NORWOOD		SCALE: N/A	DATE: 5/23/2016
			TEMPLATE NO: 101657