

TEMPLATE SURFACE CONTINUOUS GEARED ALUMINUM HINGE

HD2100-119"

HD5700-119"

17 CS FASTENERS

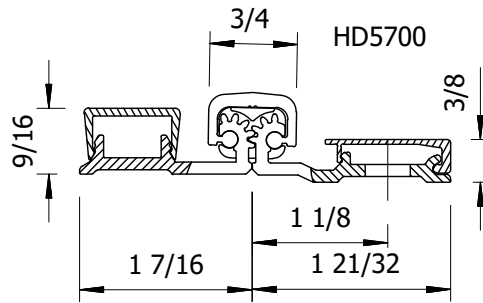
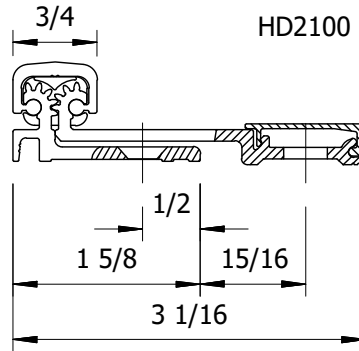
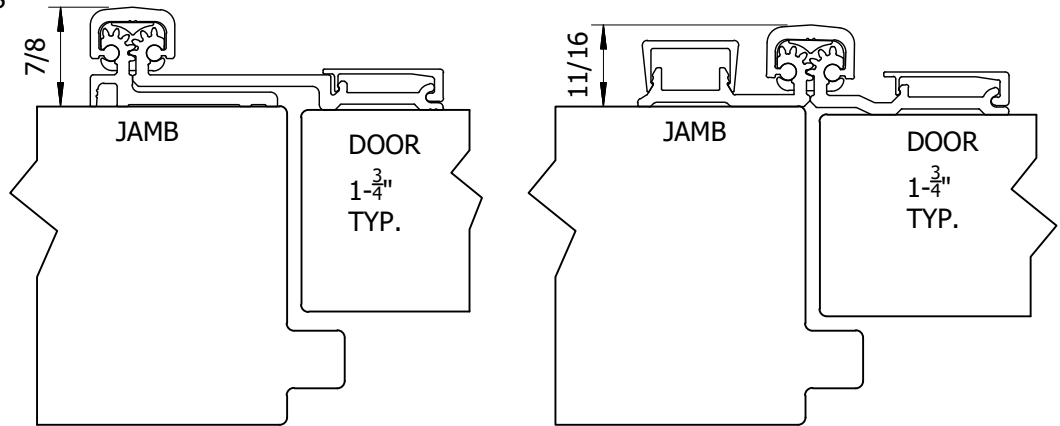
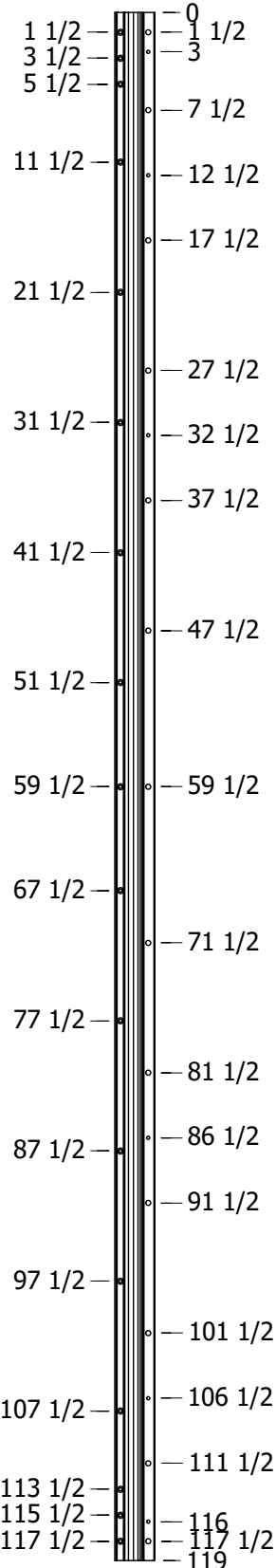
6 PAN FASTENERS

13 THRU-BOLT FASTENERS


46 BEARINGS

HD2100

HD5700



FASTENERS: #12-24 X $\frac{11}{16}$ PH. CS. UNDERCUT TEK SCREW
 #12-24 X $\frac{11}{16}$ PH. PAN TEK SCREW
 1/4-20 THRU-BOLT

REV	DESCRIPTION	DATE	APPR'D
A	ORIGINAL	6/29/2016	
REVISION HISTORY			
 National Guard Products, Inc. 4985 E. Raines Rd. Phone: 1 (800) 647-7874 Memphis TN 38118 Fax: 1 (800) 255-7874			
TITLE: HD2100/5700-119" TEMPLATE			
DRAWN BY: B.NORWOOD	SCALE: N/A	DATE: 6/29/2016	TEMPLATE NO: 101663