

# TEMPLATE SURFACE CONTINUOUS GEARED ALUMINUM HINGE

HD2100-83"

HD5700-83"

13 CS FASTENERS

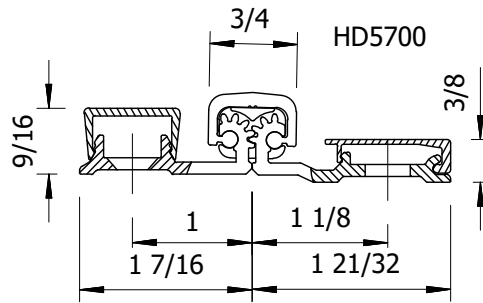
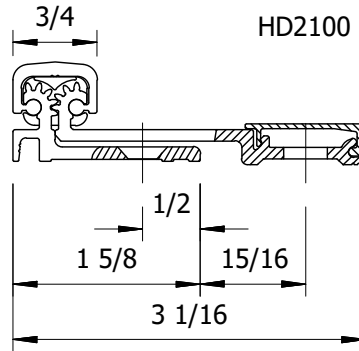
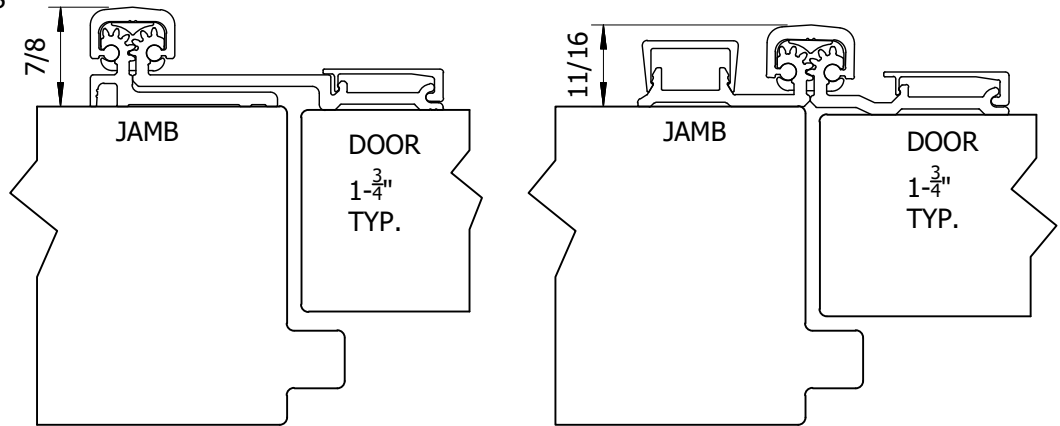
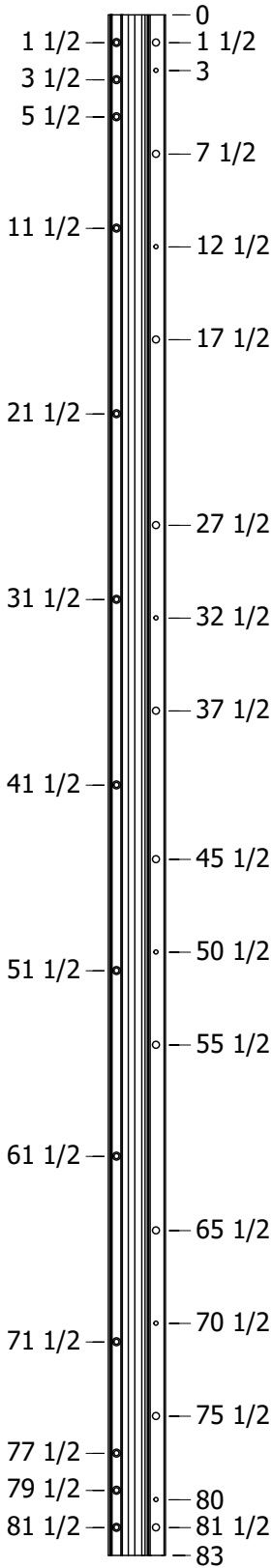
6 PAN FASTENERS

10 THRU-BOLT FASTENERS

32 BEARINGS

HD2100

HD5700



FASTENERS: #12-24 X  $\frac{11}{16}$  PH. CS. UNDERCUT TEK SCREW  
 #12-24 X  $\frac{11}{16}$  PH. PAN TEK SCREW  
 1/4-20 THRU-BOLT

A	ORIGINAL	6/29/2016	
REV	DESCRIPTION	DATE	APPR'D
REVISION HISTORY			
<b>National Guard Products, Inc.</b>			
4985 E. Raines Rd. Memphis TN 38118		Phone: 1 (800) 647-7874 Fax: 1 (800) 255-7874	
TITLE: <b>HD2100/5700-83" TEMPLATE</b>			
DRAWN BY: <b>B.NORWOOD</b>		SCALE: N/A	DATE: 6/29/2016
			TEMPLATE NO: <b>101664</b>