

TEMPLATE SURFACE CONTINUOUS GEARED ALUMINUM HINGE

HD2100-85"

HD5700-85"

13 CS FASTENERS

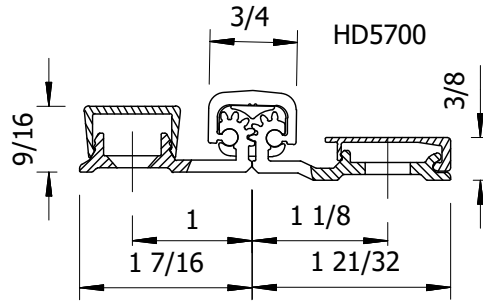
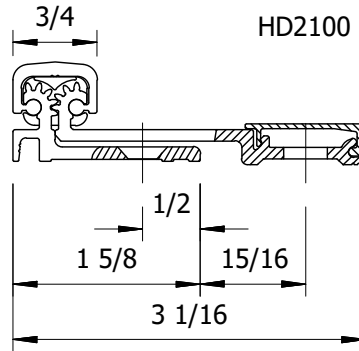
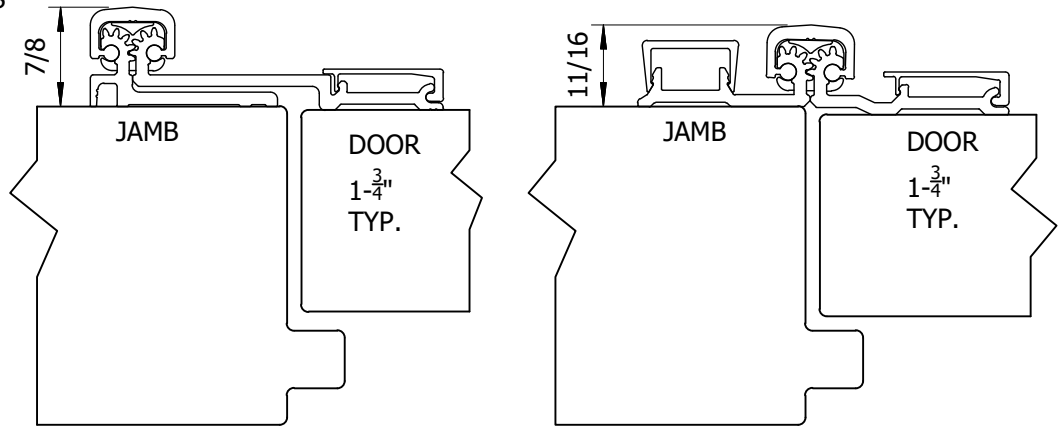
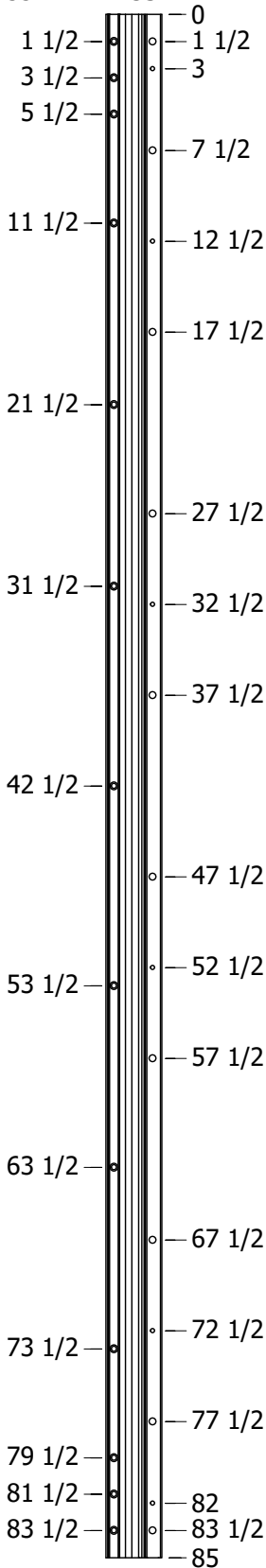
6 PAN FASTENERS

10 THRU-BOLT FASTENERS

33 BEARINGS

HD2100

HD5700



FASTENERS: #12-24 X $\frac{11}{16}$ PH. CS. UNDERCUT TEK SCREW

#12-24 X $\frac{11}{16}$ PH. PAN TEK SCREW

1/4-20 THRU-BOLT

A	ORIGINAL	6/29/2016	
REV	DESCRIPTION	DATE	APPR'D
REVISION HISTORY			
National Guard Products, Inc.			
4985 E. Raines Rd. Memphis TN 38118		Phone: 1 (800) 647-7874 Fax: 1 (800) 255-7874	
TITLE: HD2100/5700-85" TEMPLATE			
DRAWN BY: B.NORWOOD		SCALE: N/A	DATE: 6/29/2016
			TEMPLATE NO: 101665