

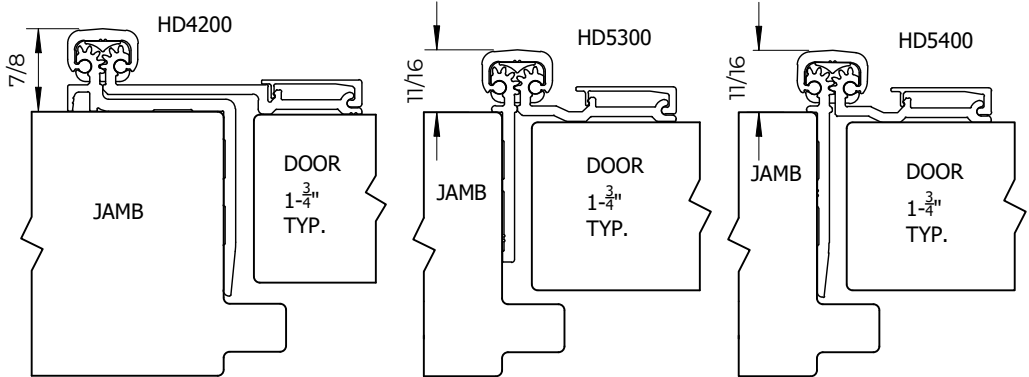
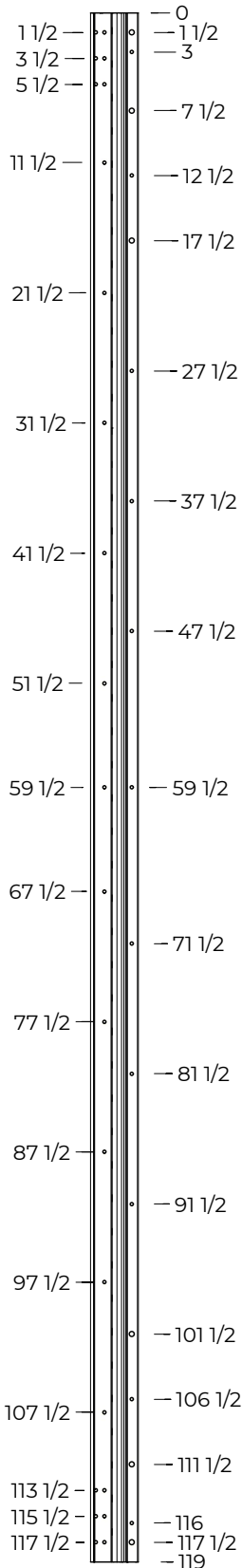


CONTINUOUS GEARED HINGE

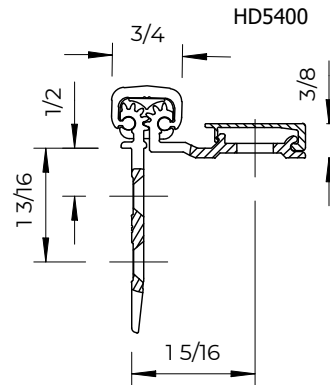
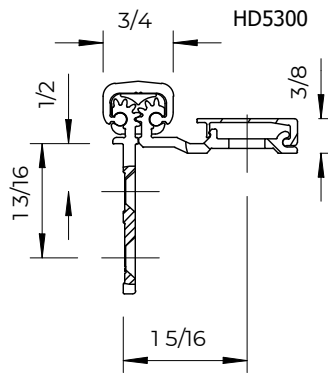
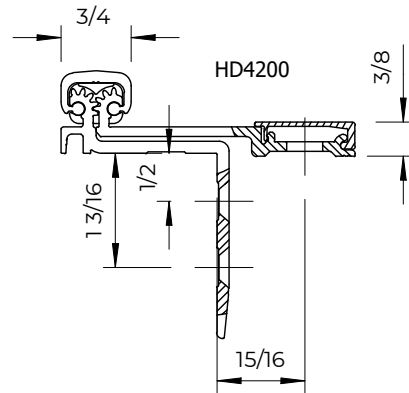
HOLE TEMPLATE FOR HD4200-119,
HD5300-119, AND HD5400-119

DRAWING NO.
101667-B
SCALE:
N/A

DRAWN BY:
D. DANCY
DATE:
6/30/24



HD4200-119" HD5300-119"
HD5400-119"
23 COUNTERSINK FASTENERS
11 PAN HEAD FASTENERS
6 THRU-BOLT FASTENERS
46 BEARINGS



ALL DIMENSIONS
ARE IN INCHES:
UNLESS OTHERWISE SPECIFIED
TOLERANCES:

DECIMALS	ANGULAR	FRACTIONS
.X ± .1	± 1°	
.XX ± .01		
.XXX ± .005		± 1/16

FASTENERS: #12-24 X 11/16 PH. COUNTERSINK TEK SCREW
#12-24 X 11/16 PH. PAN HEAD TEK SCREW
1/4-20 THRU-BOLT

NATIONAL GUARD PRODUCTS, INC.



NGP MEMPHIS
4985 East Raines Road
Memphis TN 38118

NGP VEGAS
4584 Calimesa Street
Las Vegas NV 89115

Phone: (800) 647-7874
Fax: (800) 255-7874
Email: info@ngp.com

ngp.com