

TEMPLATE HALF SURFACE CONTINUOUS GEARED ALUMINUM HINGE

HD4200-83"

HD5300-83"

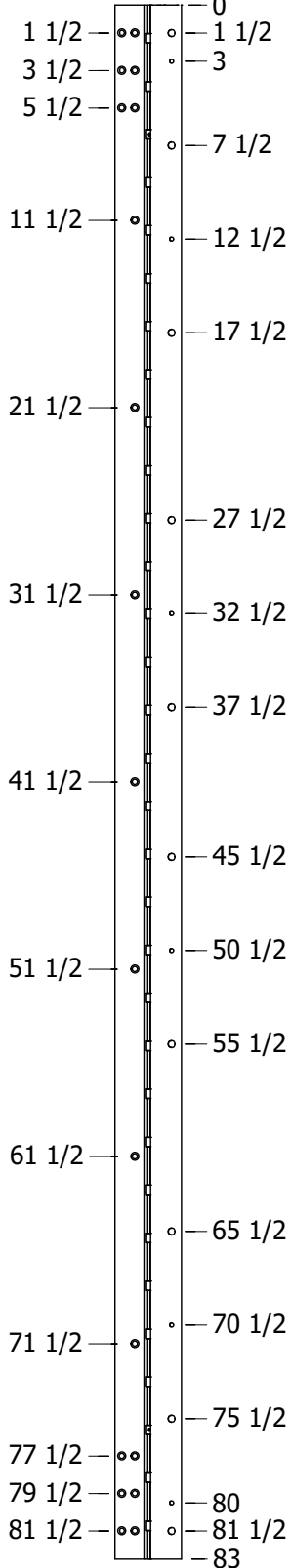
HD5400-83"

19 CS FASTENERS

6 PAN FASTENERS

10 THRU-BOLT FASTENERS

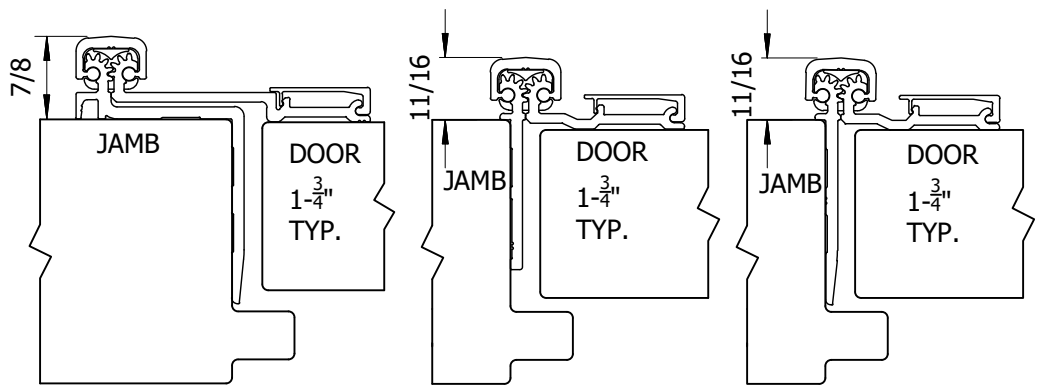
32 BEARINGS



HD4200

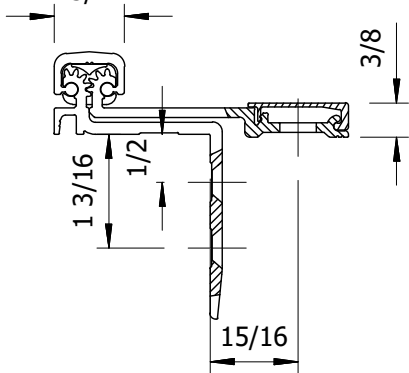
HD5300

HD5400



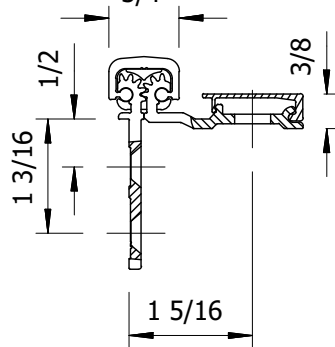
HD4200

3/4



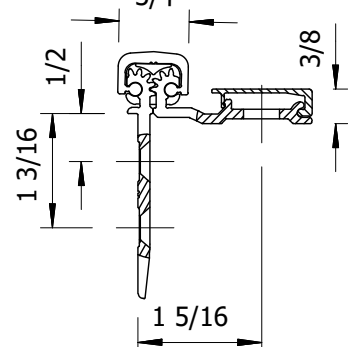
HD5300

3/4



HD5400

3/4



FASTENERS: #12-24 X $\frac{11}{16}$ PH. CS. UNDERCUT TEK SCREW

#12-24 X $\frac{11}{16}$ PH. PAN TEK SCREW

1/4-20 THRU-BOLT

REV	DESCRIPTION	DATE	APPR'D
A	ORIGINAL	6/29/2016	

REVISION HISTORY



National Guard Products, Inc.

4985 E. Raines Rd.
Memphis TN 38118

Phone: 1 (800) 647-7874
Fax: 1 (800) 255-7874

TITLE:

HD4200/5300/5400-83" TEMPLATE

DRAWN BY:
B.NORWOOD

SCALE:
N/A

DATE:
6/29/2016

TEMPLATE NO:
101668