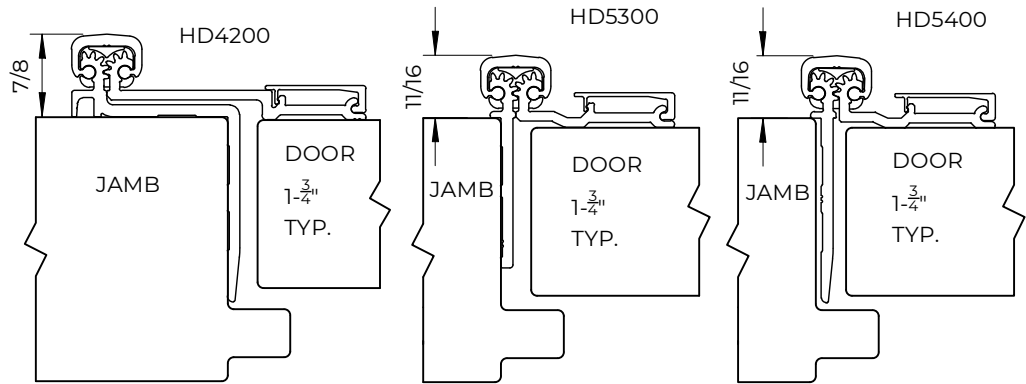
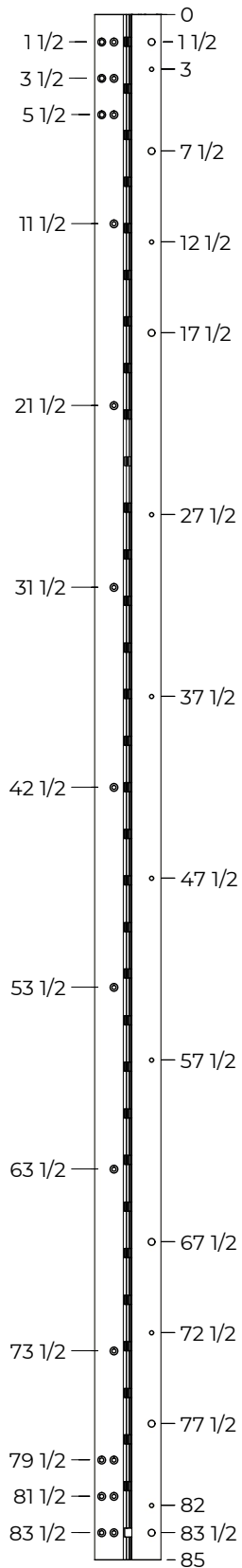




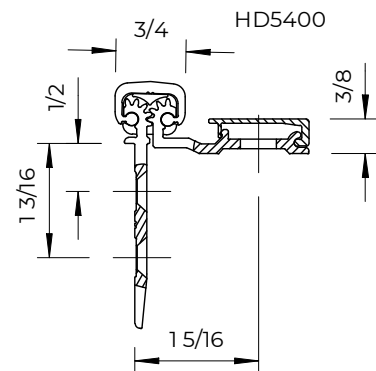
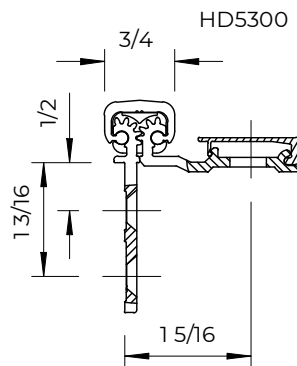
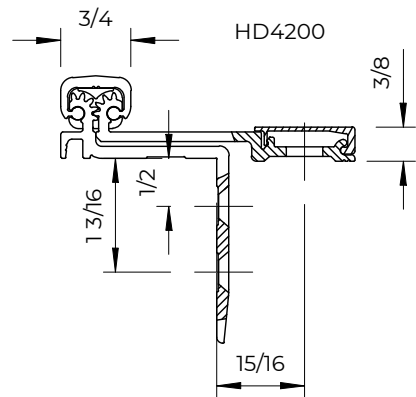
CONTINUOUS GEARED HINGE

HOLE TEMPLATE FOR HD4200-85, HD5300-85, AND HD5400-85

DRAWING NO. 101669-B	DRAWN BY: D. DANCY
SCALE: N/A	DATE: 11/21/23



- HD4200-85" HD5300-85" HD5400-85"
 19 COUNTERSINK FASTENERS
 8 PAN HEAD FASTENERS
 6 THRU-BOLT FASTENERS
 33 BEARINGS



ALL DIMENSIONS
ARE IN INCHES:
UNLESS OTHERWISE SPECIFIED
TOLERANCES:

DECIMALS	ANGULAR	FRACTIONS
.X ± .1	± 1°	
.XX ± .01		
.XXX ± .005		± 1/16

FASTENERS: #12-24 X 11/16 PH. COUNTERSINK TEK SCREW
 #12-24 X 11/16 PH. PAN HEAD TEK SCREW
 1/4-20 THRU-BOLT

NATIONAL GUARD PRODUCTS, INC.



NGP MEMPHIS
4985 East Raines Road
Memphis TN 38118

NGP VEGAS
4584 Calimesa Street
Las Vegas NV 89115

Phone: (800) 647-7874
 Fax: (800) 255-7874
 Email: info@ngp.com

ngp.com