

TEMPLATE HALF SURFACE CONTINUOUS GEARED ALUMINUM HINGE

HD4200-95"

HD5300-95"

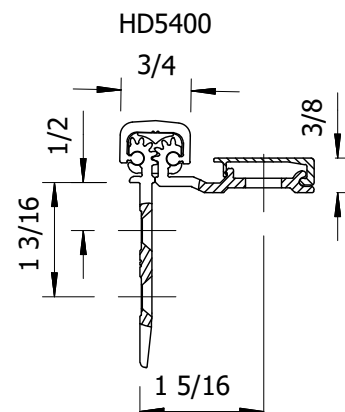
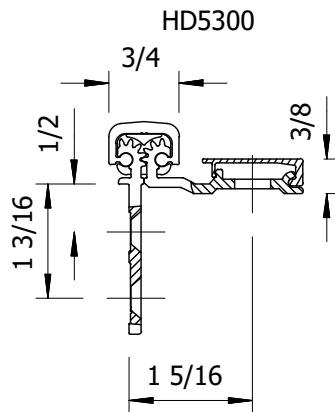
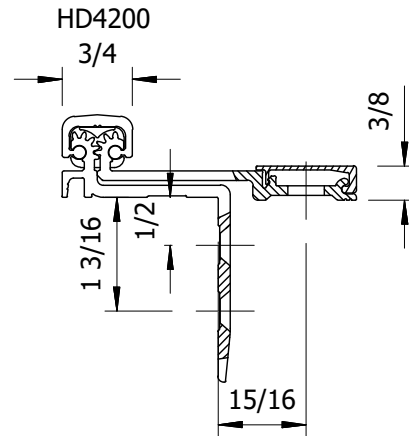
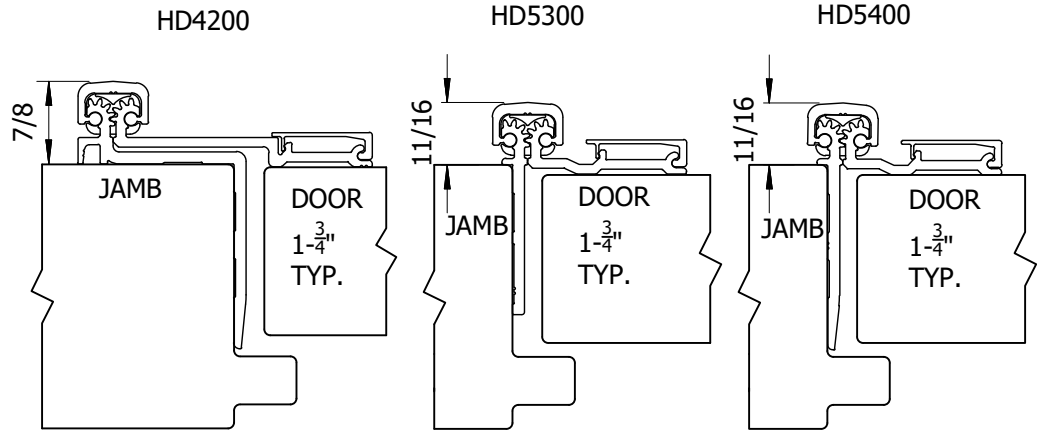
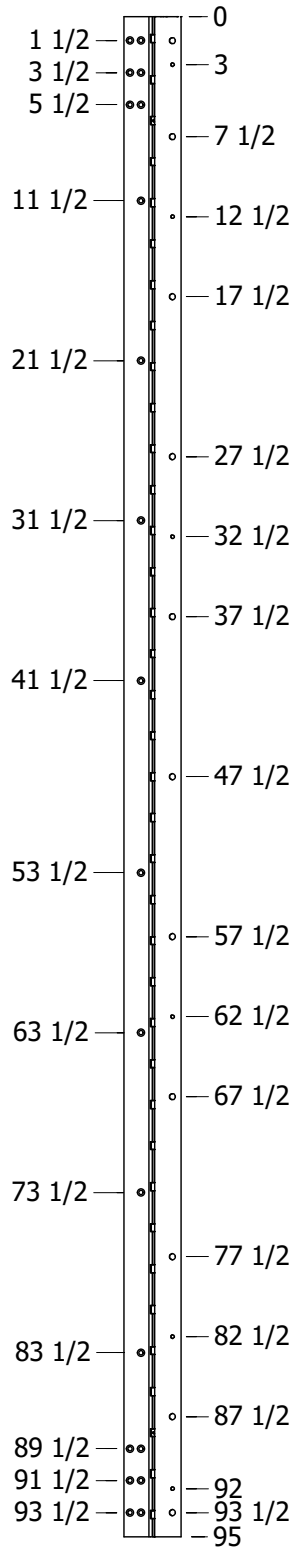
HD5400-95"

20 CS FASTENERS

6 PAN FASTENERS

11 THRU-BOLT FASTENERS


37 BEARINGS



FASTENERS: #12-24 X $\frac{11}{16}$ PH. CS. UNDERCUT TEK SCREW

#12-24 X $\frac{11}{16}$ PH. PAN TEK SCREW

1/4-20 THRU-BOLT

REV	DESCRIPTION	DATE	APPR'D
A	ORIGINAL	6/29/2016	
REVISION HISTORY			
 National Guard Products, Inc.			
4985 E. Raines Rd. Memphis TN 38118		Phone: 1 (800) 647-7874 Fax: 1 (800) 255-7874	
TITLE: HD4200/5300/5400-95" TEMPLATE			
DRAWN BY: B.NORWOOD		SCALE: N/A	DATE: 6/29/2016
			TEMPLATE NO: 101670