



# 1392SP

Steel Security Astragal

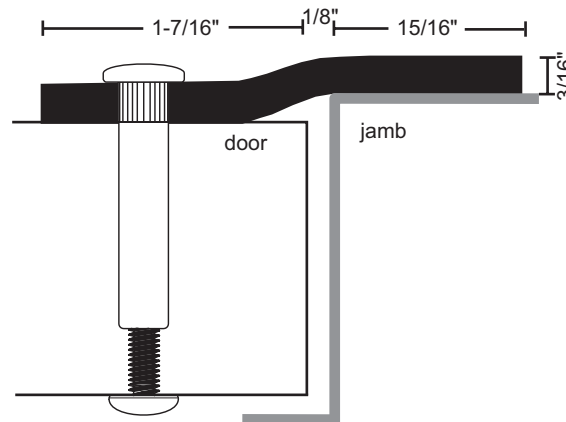
## PRODUCT CUT SHEET

PROJECT:
SUBMITTED BY:
DATE:
NOTES:

### Material

Steel Prime Coat

- ▶ Maximum Height 120"
- ▶ #1/4-20 SNB's Furnished



NGP-GKT-1392SP-PCS-1123-A

### NATIONAL GUARD PRODUCTS, INC.

#### MEMPHIS

4985 East Raines Road  
Memphis, TN 38118

#### CARSON CITY

3689 Arrowhead Drive  
Carson City, NV 89706

**Fax:** (800) 255-7874

**Email:** info@ngp.com

**Quotes:** quotes@ngp.com

**Orders:** orders@ngp.com

**ngp.com**  
1-800-NGP-RUSH