



143P

Polypropylene Pile Mortised Astragal

PRODUCT CUT SHEET

Material

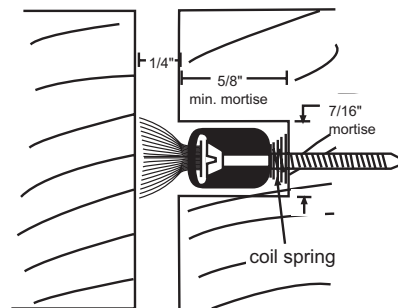
Aluminum Alloy 6063, T5 Temper
Polypropylene Pile is Gray

▶ #6 SMS Furnished

Finishes

143PA Anodized Aluminum
143PDKB Dark Bronze

PROJECT:
SUBMITTED BY:
DATE:
NOTES:



NGP-GKT-143P-PCS-1220-A