



144P

Polypropylene Pile Spring Adjustable Mortised Astragal Set

PRODUCT CUT SHEET

PROJECT:
SUBMITTED BY:
DATE:
NOTES:

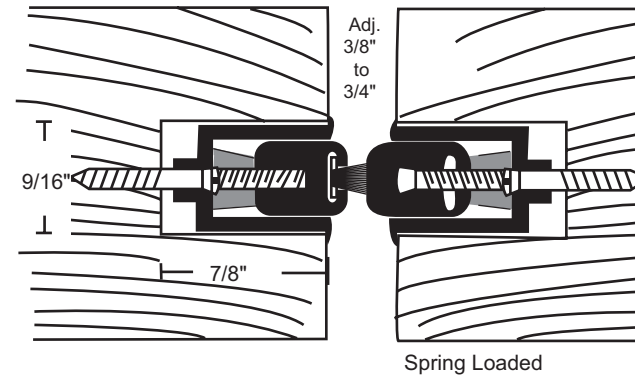
Material

Aluminum Alloy 6063, T5 Temper
Polypropylene Pile is Gray

- ▶ Adjustment Screws on 10" Centers Allow Adjustment of the Seal Without Repositioning Mounting Location
- ▶ Spring-Loaded to Maintain Constant Pressure for the Most Effective Seal
- ▶ Mortise Dimensions $\frac{9}{16}$ " Wide x $\frac{7}{8}$ "
- ▶ #8 x $\frac{3}{4}$ " SMS Furnished
- ▶ Provided as Two Piece Set

Finishes

144PA Anodized Aluminum
144PDKB Dark Bronze



NGP-GKT-144P-PCS-1220-A