



# 151N

## NGP-TV Mortised Astragal Set

### PRODUCT CUT SHEET

PROJECT:
SUBMITTED BY:
DATE:
NOTES:

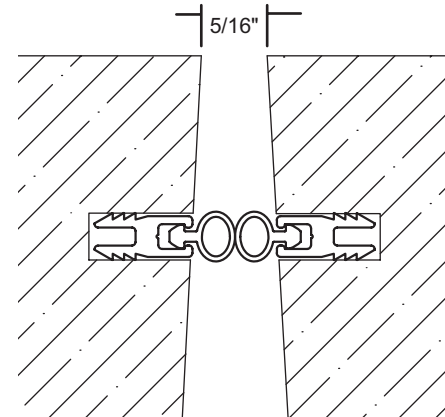
#### Material

Aluminum Alloy 6063, T5 Temper  
Synthetic Rubber Polymer Blend: Chloroprene and EPDM  
Neoprene is Black

- ▶ Very Good Abrasion Resistance, Tensile Strength and Memory
- ▶ Flame Resistant
- ▶ Moisture Resistant
- ▶ Temperature Range -20°F to 200°F
- ▶ Good Resistance to Ozone, Sunlight and Aging
- ▶ BHMA Certified to ANSI/BHMA A156.22 Performance Tests for Heat and Cold
- ▶ Mortise Dimensions  $\frac{7}{32}$ " Wide x  $\frac{1}{2}$ "
- ▶ Order as Set to Receive Two Pieces
- ▶ Maximum Length 108"

#### Finishes

Mill Aluminum



NGP-GKT-151N-PCS-0720-A