



151S

Silicone Mortised Astragal Set

PRODUCT CUT SHEET

PROJECT:
SUBMITTED BY:
DATE:
NOTES:

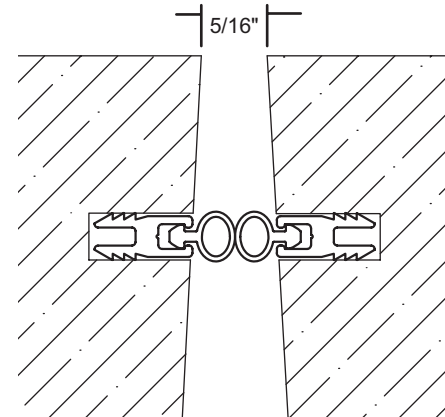
Material

Aluminum Alloy 6063, T5 Temper
Synthetic Rubber Polymer Blend: Siloxane
Silicone is Black

- ▶ Excellent Flexibility and Memory
- ▶ Flame Resistant
- ▶ Moisture Resistant
- ▶ Temperature Range -100°F to 500°F, Remains Flexible at Extreme Temperatures
- ▶ Excellent Resistance to Ozone, UV and Aging
- ▶ Recommended for Areas Using FM200 or Halon Fire Suppression Systems
- ▶ BHMA Certified to ANSI/BHMA A156.22 Performance Tests for Heat and Cold
- ▶ Mortise Dimensions $\frac{7}{32}$ " Wide x $\frac{1}{2}$ "
- ▶ Order as **Set** to Receive Two Pieces
- ▶ Maximum Length 108"

Finishes

Mill Aluminum



NGP-GKT-151S-PCS-0720-A