



T70N

Concealed Fastener Neoprene Perimeter Seal

PRODUCT CUT SHEET

Material

Aluminum Alloy 6063, T5 Temper
Synthetic Rubber Polymer Blend: Chloroprene and EPDM
Neoprene is Black

- ▶ Very Good Abrasion Resistance, Tensile Strength and Memory
- ▶ Flame Resistant
- ▶ Moisture Resistant
- ▶ Temperature Range -20°F to 200°F
- ▶ Good Resistance to Ozone, Sunlight and Aging
- ▶ BHMA Certified to ANSI/BHMA A156.22 Performance Tests for Heat and Cold
- ▶ Snap-On Cover Conceals Screw Heads for Clean Appearance
- ▶ #6 X 3/4" Stainless Steel Sheet Metal Screws Furnished
- ▶ Screw Holes Slotted for Adjustment

Finishes

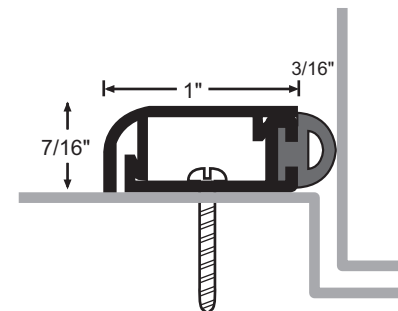
T70NA Anodized Aluminum
T70NB Gold
T70NDKB Dark Bronze

Options

FATT - Fast Attach Tape



PROJECT:
SUBMITTED BY:
DATE:
NOTES:



NGP-GKT-T70N-PCS-1120-A