



1X428BR

Floor Closer Threshold

PRODUCT CUT SHEET

PROJECT:
SUBMITTED BY:
DATE:
NOTES:

Material

Alloy CDA 385 (Copper Alloy No. C38500)

- ▶ 8" Wide x 1/2" Tall
- ▶ Fluted Top
- ▶ BHMA Certified to ANSI/BHMA A156.21 1,000 Lb. Load Test
- ▶ Thresholds Can Be Fabricated For Use With Any Floor Closer
- ▶ Typical Wall Thickness: .187"
- ▶ Weight: 5.06 Lbs./Ft.
- ▶ #10 x 1 1/2" Brass Wood Screws Included. Antique Bronze Finish Screws Supplied With DKB Thresholds

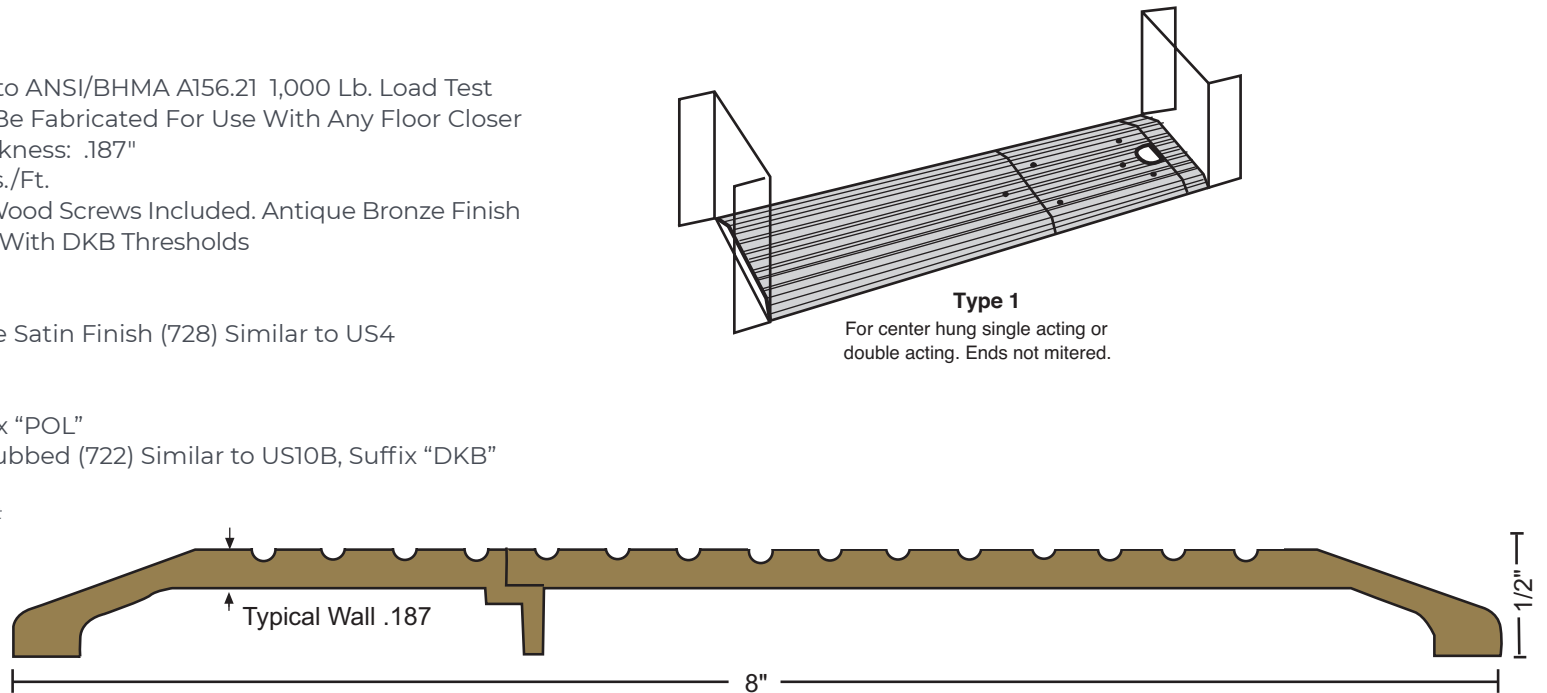
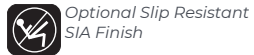
Finish

Architectural Bronze Satin Finish (728) Similar to US4

Optional Finishes:

Polished (721), Suffix "POL"

Dark Oxidized Oil Rubbed (722) Similar to US10B, Suffix "DKB"



NGP-THR-1X428BR-PCS-0321-A