

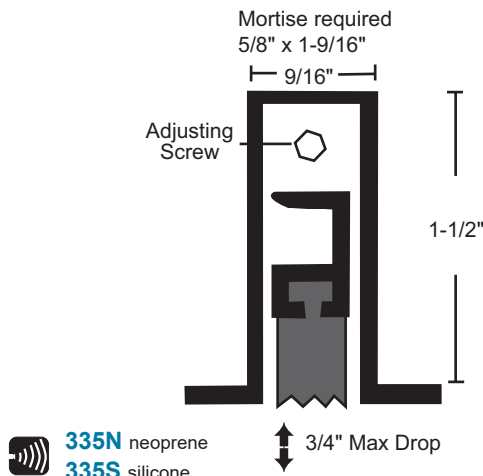
Automatic Door Bottoms - Mortise

- Use with a threshold for maximum sealing capability
- Nylon brush recommended for carpet applications where no threshold is provided
- Specify exact net length required to avoid field sizing
- 36" and longer may be cut up to 4" in the field.
Under 36" should not be cut in the field, order net length
- 36" and longer are furnished 1/2" shorter than ordered to fit within net door size.
(i.e. 36" is furnished 35-1/2")
- End caps furnished standard

All products this page



neoprene & NGP-TPV are black
silicone, nylon brush & vinyl are gray



Available 23-1/4" net to 48" in length
Fits wood fire door mortise restrictions

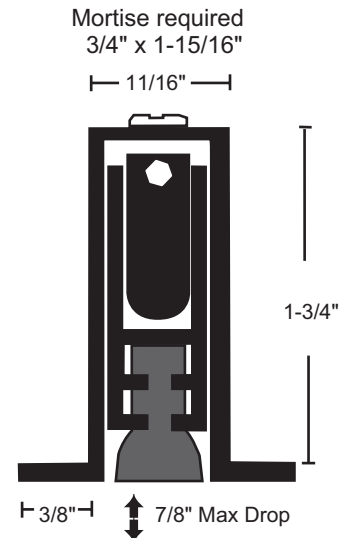
225N neoprene (1)
BHMA
certified to
ANSI/BHMA A156.22,
1,000,000 cycle test-grade 1

225S silicone (1)
BHMA
certified to
ANSI/BHMA A156.22,
1,000,000 cycle test-grade 1

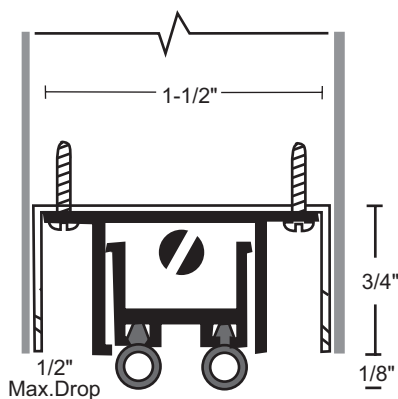
225WH nylon brush

Available 11" to 60" in length

1. Lead insert available for radiation shield - specify "lead-lined".



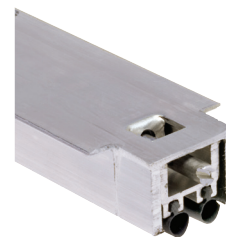
Hollow Metal Doors



320N NGP-TPV

320S silicone

320V vinyl



Fits in 1-5/8" x 3/4" channel. A "furring strip" may be used to lower automatic door bottom when a deeper channel is used.

Furnished 1/2" shorter than ordered to fit within net door size.
(i.e. 36" is furnished 35-1/2") Length may be field cut up to 4".

Fire ratings apply to metal doors only.

#4 x 5/8" SMS furnished. End caps not available.

Available 24" to 48" in length