

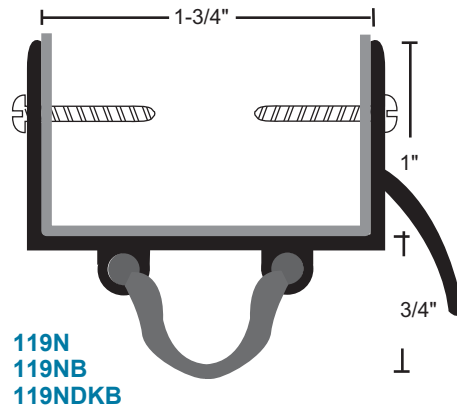
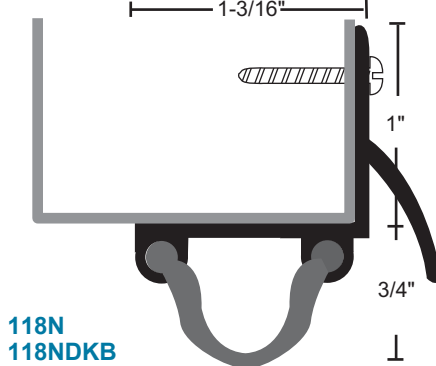
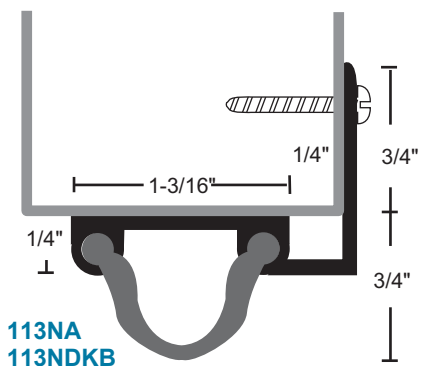
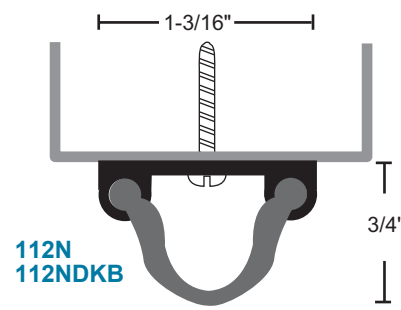
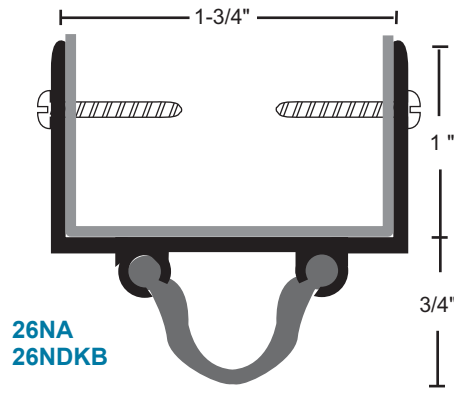
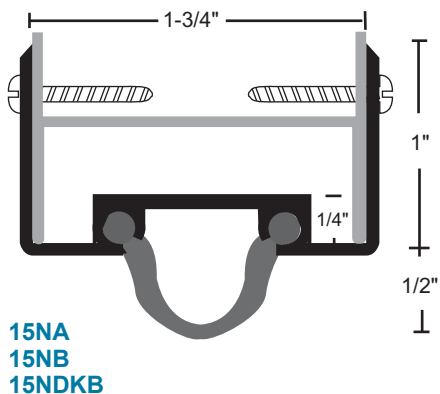
Neoprene Door Shoes

#6 x 3/4" Stainless Steel Sheet Metal Screws furnished.
Screw holes slotted for adjustment.

All neoprene door shoes this section



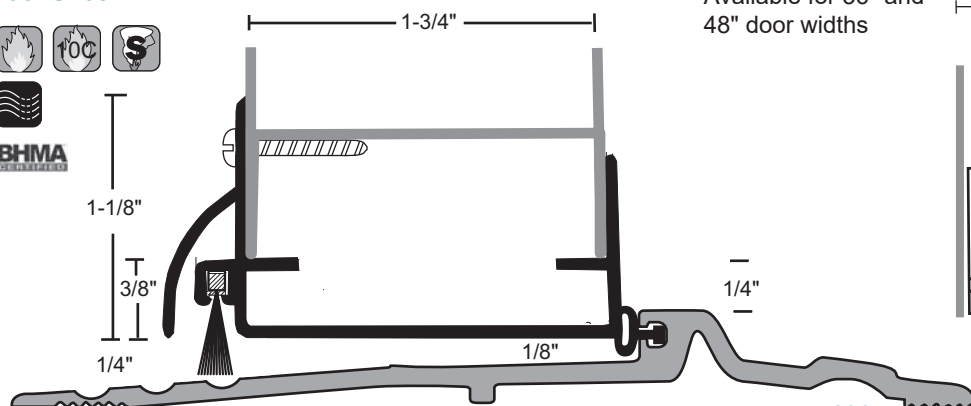
A - anodized aluminum
B - gold
DKB - dark bronze
no suffix - mill aluminum
neoprene is black



Nylon Brush Door Shoe

#6 x 3/4" Stainless Steel SMS furnished
Screw holes slotted for adjustment.

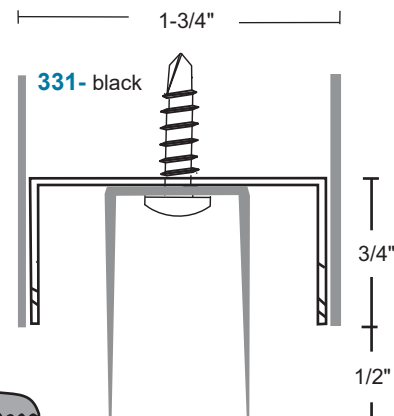
95WH gray brush
95WHDKB - black brush
Door Shoe



Designed for use on standard 3/4" undercut door used with NGP 896 V, N, or S ADA compliant threshold as shown

Double Fin Door Shoe

- Rigid polypropylene top with flexible TPV fins
- Designed for hollow metal doors with inverted bottom channel
- Furnished undrilled
- #8 x 3/4" TEK screws furnished
- Available for 36" and 48" door widths



896
896DKB
Threshold