

## Neoprene Sweeps

#6 x 3/4" Stainless Steel Sheet Metal Screws furnished.  
Screw holes slotted for adjustment.  
Neoprene is black

All products this page



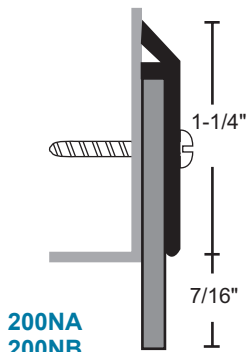
Material Finishes:

**A** - anodized aluminum

**DKB** - dark bronze

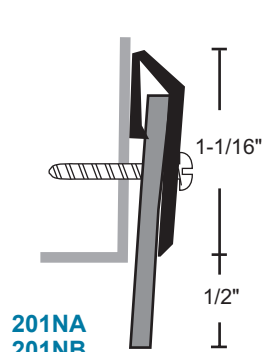
**no suffix** = mill aluminum

neoprene is black



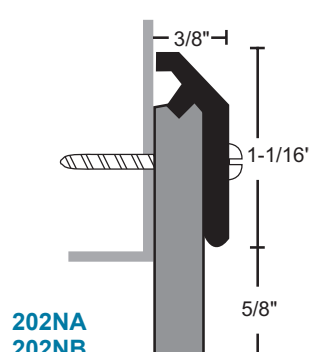
**200NA**  
**200NB**  
**200NDKB**

**BHMA**  
CERTIFIED



**201NA**  
**201NB**  
**201NDKB**

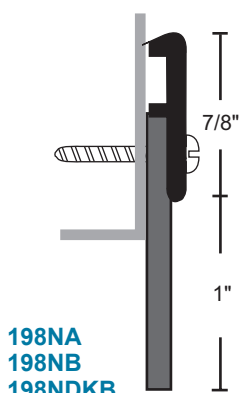
**BHMA**  
CERTIFIED



**202NA**  
**202NB**  
**202NDKB**

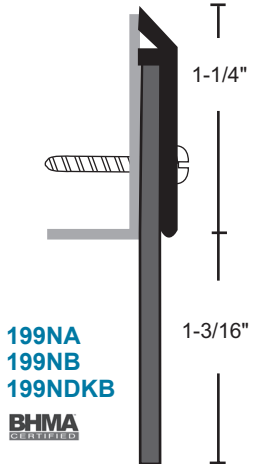
**BHMA**  
CERTIFIED

#6 x 1" stainless steel SMS



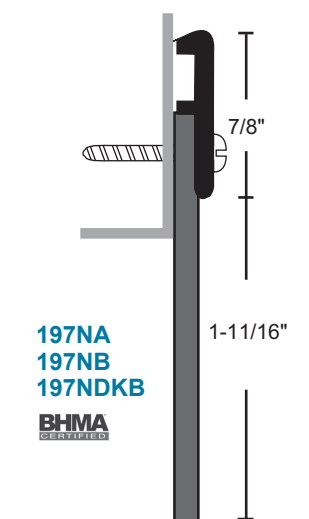
**198NA**  
**198NB**  
**198NDKB**

**BHMA**  
CERTIFIED



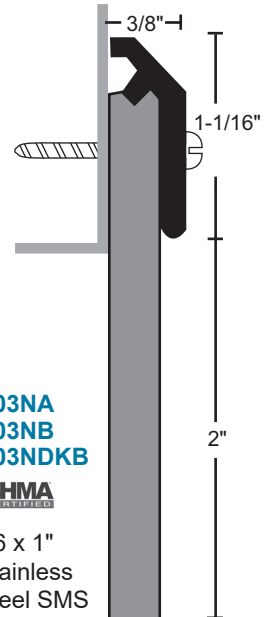
**199NA**  
**199NB**  
**199NDKB**

**BHMA**  
CERTIFIED



**197NA**  
**197NB**  
**197NDKB**

**BHMA**  
CERTIFIED

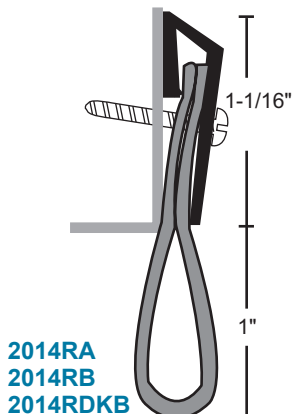


**203NA**  
**203NB**  
**203NDKB**

**BHMA**  
CERTIFIED

#6 x 1" stainless steel SMS

## Reinforced Neoprene Sweep

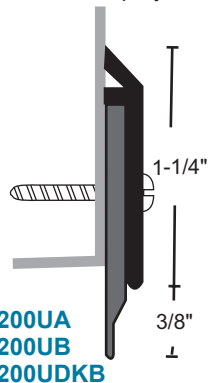


**2014RA**  
**2014RB**  
**2014RDKB**

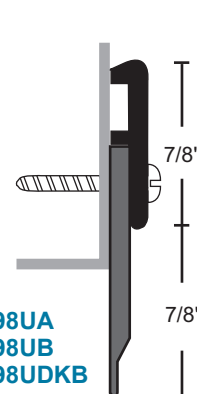
0.060" thick Lead Insert available for radiation shield – suffix "LD"

## Polyurethane Sweeps

polyurethane is black



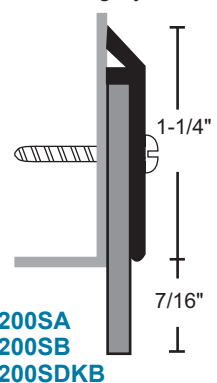
**200UA**  
**200UB**  
**200UDKB**



**198UA**  
**198UB**  
**198UDKB**

## Silicone Sweep

silicone is gray



**200SA**  
**200SB**  
**200SDKB**

**BHMA**  
CERTIFIED