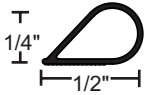


Self-Adhesive Silicone Gasketing



- 5050B** Brown
- 5050C** Charcoal
- 5050W** White
- 5050T** Tan
- 5050CL** Clear

Available in 17', 20', 21', 25' and 300' rolls

*Clear not available in 21'

Silicone Bulb Fire and Smoke Seal



Edge Sealing System - Category "G" for 20 minute rated category B wood doors perimeter application up to:

- single swing 4'0 x 8'0
- pairs 8'0 x 8'0
- use 9550 at the meeting edge of pairs

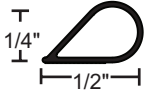
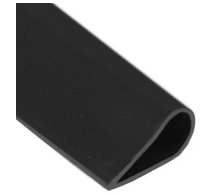
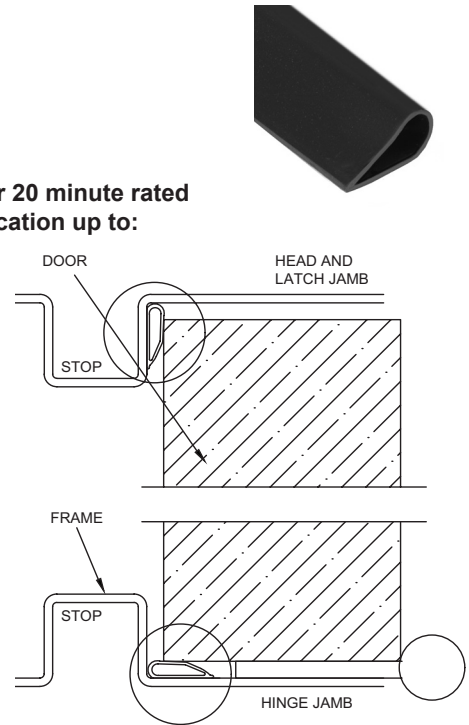


Smoke and Draft Control - Category "H"
Up to 3 hours Hollow Metal fire doors
Up to 90 minutes Wood fire doors



Meets requirements of RoHS Directive

See adhesive specifications on page G9



- ANTI-LIG 5050B** Brown
- ANTI-LIG 5050C** Charcoal
- ANTI-LIG 5050W** White
- ANTI-LIG 5050CL** Clear

Available per foot (bulk) or in stock length 300' rolls.

Anti-ligature Silicone Bulb Fire and Smoke Seal

Anti-ligature feature has serrations every 8" designed to break apart preventing it from being used to hang or strangle.

Applications include psychiatric facilities, prisons and other treatment facilities.

Installs as a continuous length providing the same sealing properties for light, sound, air and smoke as our original 5050.



Edge Sealing System - Category "G" for 20 minute rated category B wood doors perimeter application up to:

- single swing 4'0 x 8'0
- pairs 8'0 x 8'0
- use 9550 at the meeting edge of pairs



Smoke and Draft Control - Category "H"
Up to 3 hours Hollow Metal fire doors
Up to 90 minutes Wood fire doors



Meets requirements of RoHS Directive

See adhesive specifications on page G9

