

# FLOOR CLOSER THRESHOLDS

Thresholds Can Be Fabricated for Use With Any Floor Closer. They Are Available in Aluminum, Bronze, or Stainless Steel in Several Finishes Including SIA Slip-Resistant Finish.

## Specify When Ordering

- ▶ Type x Number (i.e., Type 3 X 427E)
- ▶ Material and Finish
- ▶ Door Opening Width
- ▶ Door Thickness if Other Than 1 3/4"
- ▶ Handing (Door Handing)
- ▶ Closer Manufacturer
- ▶ Closer Model Number

## TYPE 1, 3 & 4 ALUMINUM

1/2" x 7"	427E
1/2" x 8"	428E
3/4" x 7"	713
3/4" x 8"	813
1/2" x 9"	429E
1/2" x 10"	430E
3/4" x 9"	913
3/4" x 10"	1013

## TYPE 5 ALUMINUM

1/2" x 7" x 4"	427E x 424E
3/4" x 7" x 4"	713 x 413
1/2" x 8" x 5"	428E x 425E
3/4" x 8" x 5"	813 x 513

## ARCHITECTURAL BRONZE

1/2" x 7"	427BR
1/2" x 8"	428BR
3/4" x 7"	713BR
3/4" x 8"	813BR

## ARCHITECTURAL BRONZE

1/2" x 7" x 4"	427BR x 424BR
1/2" x 8" x 5"	428BR x 425BR
3/4" x 8" x 5"	813BR x 513BR

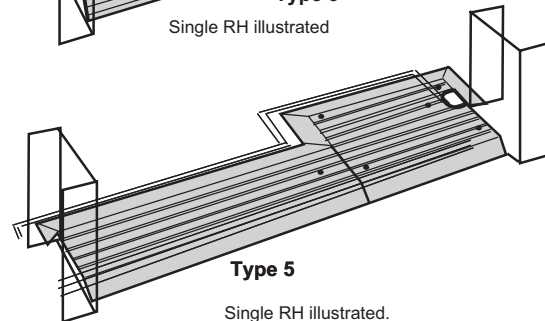
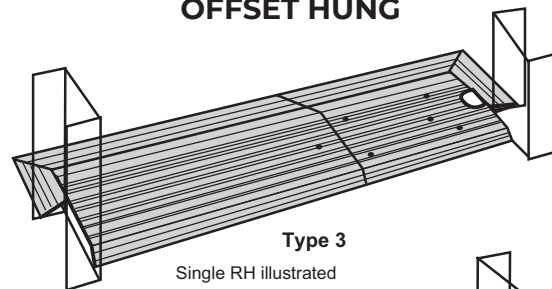
Other Thresholds and Custom Assemblies May Be Prepped for Floor Closers. Consult Factory for Custom Applications.

## Special Finishes Available

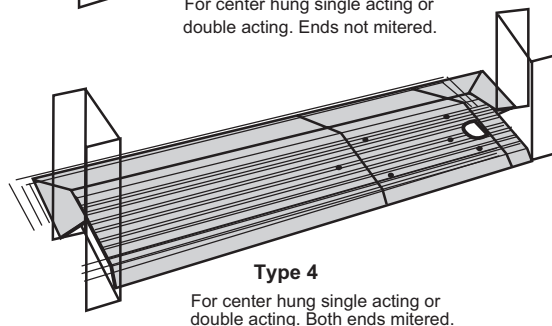
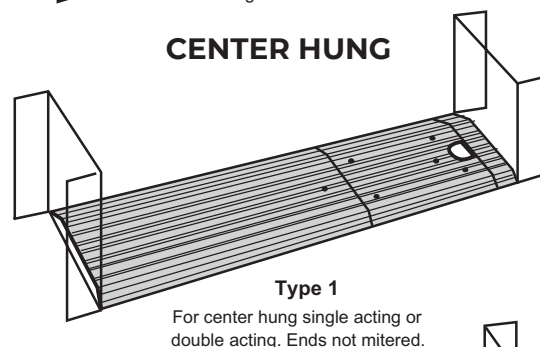
- ▶ Polished, Suffix "POL"
- ▶ Dark Oxidized Bronze US10B, Suffix "DKB"
- ▶ SIA Slip-Resistant Finish, Suffix "SIA"



## OFFSET HUNG



## CENTER HUNG



## Stainless Steel Available

- ▶ Specify Type (1, 3 or 4) x Stainless Steel Threshold Model Number

## MATERIALS & FINISHES

#304 Stainless Steel, Mill Finish

### Optional Finishes

- POL - Polished US32, 629
- BRUSHED - Brushed US32D, 630