



2248

Finger Guard

PRODUCT CUT SHEET

PROJECT:
SUBMITTED BY:
DATE:
NOTES:

Material

Anodized Aluminum Housing

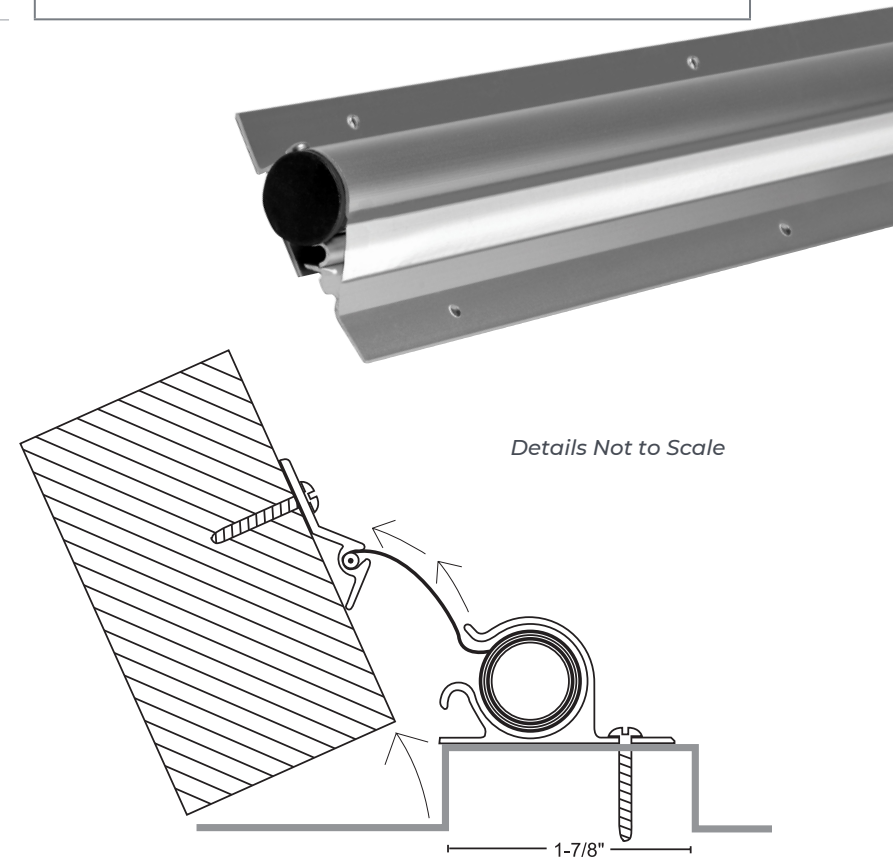
- ▶ Designed to Help Prevent Injury to Fingers Accidentally Placed in the Hinge Area of a Door
- ▶ Features an Internal Spring Mechanism that Maintains Constant Tension Against the Polyethylene Fabric Which Helps Prevent Fingers From Entering the Dangerous Area Behind the Edge of the Door
- ▶ Ideal for Senior & Childcare Facilities
- ▶ Durable "Endless Cycle" Spring Mechanism
- ▶ Fire Resistant Woven Polyethylene Fabric
- ▶ 82" for 7' Door Opening
- ▶ 38" Dutch Door Size
- ▶ Custom Lengths 12" Up To 86" Available. Order 2" Less Than Opening Height to Allow for the Stop on the Door Frame Head and Door Bottom Undercut
- ▶ Not Field Sizable
- ▶ Mounts on Push Side of Door
- ▶ Suitable for Doors Swinging Up To 180 Degrees
- ▶ #6 x 1/2" Tek Self-Drilling Screws Furnished
- ▶ 38" Standard Length
- ▶ Fire Rated Up To 3 Hours Metal Doors, 1-Hour Wood Doors

Finishes

- 2248A Anodized Aluminum with White Polyethylene
- 2248DKB Dark Bronze/Black Anodized with Black Polyethylene

Options

Available in 38", 76", 82" and 86" Standard Lengths



NGP-FGR-2248-PCS-0225-A

NATIONAL GUARD PRODUCTS, INC.

MEMPHIS

4985 East Raines Road
Memphis, TN 38118

CARSON CITY

3689 Arrowhead Drive
Carson City, NV 89706

Fax: (800) 255-7874

Email: info@ngp.com

Quotes: quotes@ngp.com

Orders: orders@ngp.com

ngp.com
1-800-NGP-RUSH