



225NA

Neoprene Mortise Automatic Door Bottom

PRODUCT CUT SHEET

PROJECT:
SUBMITTED BY:
DATE:
NOTES:

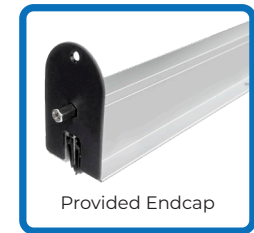
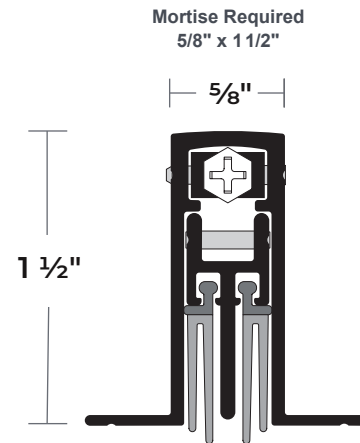
Material

Aluminum Alloy 6063, T6 Temper
 Synthetic EPDM Rubber in Polypropylene Thermoplastic Matrix
 Neoprene is Black

- ▶ BHMA Certified to ANSI/BHMA A156.22, 1,000,000 Cycle Test-Grade 1
- ▶ BHMA Certified to ANSI/BHMA A156.22 Performance Tests for Heat and Cold
- ▶ Very Good Abrasion Resistance, Tensile Strength and Memory
- ▶ Flame-Resistant
- ▶ Moisture-Resistant
- ▶ Temperature Range -81°F to 275°F
- ▶ Good Resistance to Ozone, Sunlight and Aging
- ▶ Use with a Threshold for Maximum Sealing Capability
- ▶ Nylon Brush Recommended for Carpet Applications Where No Threshold is Provided
- ▶ Specify Exact Net Length Required to Avoid Field Sizing
- ▶ Furnished ½" Shorter Than Ordered to Fit Within Net Door Size. (i.e. 36" is Furnished 35 ½")
- ▶ ADB's from 12" to 18" Can be Cut Down ½". ADB's 20" and Over Can be Cut Down up to 1 ½"
- ▶ Black Plastic End Caps Furnished Standard
- ▶ Minimum Length 11 ½", Maximum Length 60"
- ▶ Mortise Required 5/8" x 1 ½"
- ▶ ¾" Max Drop
- ▶ Non-Handed

Finish
 Anodized Aluminum

Options
 Lead Insert Available for Radiation Shield – Specify 'Lead Lined'



NGP-GKT-225NA-PCS-0426-A

NATIONAL GUARD PRODUCTS, INC.

MEMPHIS
 4985 East Raines Road
 Memphis, TN 38118

CARSON CITY
 3689 Arrowhead Drive
 Carson City, NV 89706

Fax: (800) 255-7874
Email: info@ngp.com

Quotes: quotes@ngp.com
Orders: orders@ngp.com

ngp.com
 1-800-NGP-RUSH