



225WH

Nylon Brush Mortise Automatic Door Bottom

PRODUCT CUT SHEET

PROJECT:
SUBMITTED BY:
DATE:
NOTES:

Material

Aluminum Alloy 6063, T5 Temper
Synthetic Polymer: Polyamide
Nylon Brush

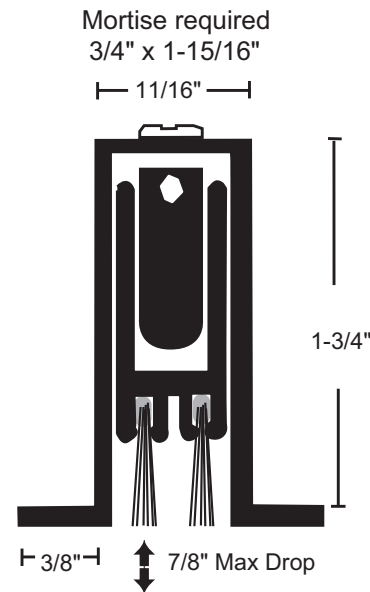
- ▶ Excellent Abrasion Resistance, Flexibility and Memory
- ▶ Moisture Resistant
- ▶ Retains Insecticides Well
- ▶ Temperature Range -70°F to 425°F
- ▶ REACH and RoHS Compliant
- ▶ Not Effective Against Water Penetration
- ▶ Use with a Threshold for Maximum Sealing Capability
- ▶ Nylon Brush Recommended for Carpet Applications Where No Threshold is Provided
- ▶ Specify Exact Net Length Required to Avoid Field Sizing
- ▶ 36" and Longer May Be Cut Up To 4" in the Field, Under 36" Should Not Be Cut in the Field, Order Net Length
- ▶ Furnished 1/2" Shorter Than Ordered to Fit Within Net Door Size. (i.e. 36" is Furnished 35 1/2")
- ▶ Available 11" Net to 60" in Length
- ▶ End Caps Furnished Standard
- ▶ Mortise Required 3/4" x 1 15/16"
- ▶ 7/8" Max Drop

Finish

Mill Aluminum

Options

Lead Insert Available for Radiation Shield - Specify "Lead-Lined"



NGP-GKT-225WH-PCS-1220-A