



# 304N

## Spring Adjustable Neoprene Perimeter Seal

### PRODUCT CUT SHEET

PROJECT:
SUBMITTED BY:
DATE:
NOTES:

#### Material

Aluminum Alloy 6063, T5 Temper  
Synthetic Rubber Polymer Blend: PVC, Nitrile Rubber (NBR), and Chloroprene Closed Cell Advanced Elastomeric Foam  
Neoprene is Black

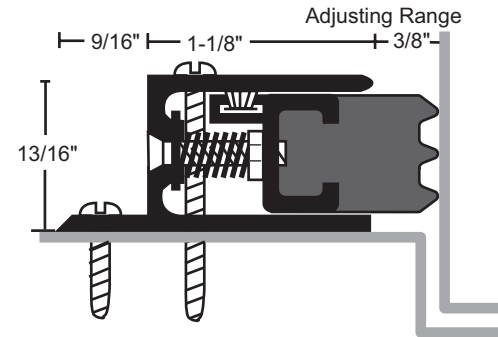
- ▶ Very Good Abrasion Resistance, Tensile Strength and Memory
- ▶ Flame Resistant
- ▶ Moisture Resistant
- ▶ Temperature Range -20°F to 200°F
- ▶ Good Resistance to Ozone, Sunlight and Aging
- ▶ BHMA Certified to ANSI/BHMA A156.22 Performance Tests for Heat and Cold
- ▶ Adjustment Screws on 10" Centers Allow Adjustment Without Re-Positioning Mounting Location
- ▶ Spring-Loaded to Maintain Pressure for the Most Effective Seal
- ▶ #6 x 3/4" or #6 x 1 1/2" Stainless Steel SMS Furnished

#### Finishes

304NA Anodized Aluminum  
304NB Gold  
304NDKB Dark Bronze

#### Options

FATT - Fast Attach Tape



NGP-GKT-304N-PCS-0720-A