



# 320V

## Vinyl Automatic Door Bottom for Hollow Metal Doors

### PRODUCT CUT SHEET

PROJECT:
SUBMITTED BY:
DATE:
NOTES:

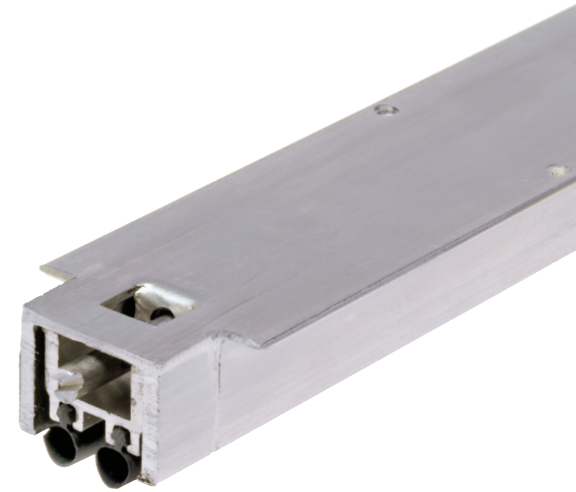
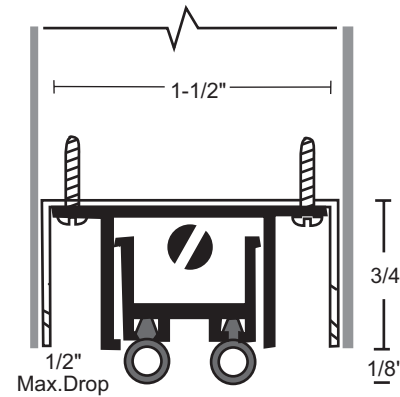
#### Material

Aluminum Alloy 6063, T5 Temper  
Thermoplastic Polymer: Polyvinyl Chloride (PVC) Formulated With an Environmentally Friendly Bio-Based Plasticizer  
Vinyl is Gray

- ▶ Economical
- ▶ Flame-Resistant
- ▶ Moisture-Resistant
- ▶ Temperature Range 0°F to 140°F
- ▶ Oxidative Degradation From Age and Exposure to Cold, Heat and UV Causes Hardening, Loss of Memory and Resilience, Cracking, crazing and discoloration
- ▶ Fits in 1 5/8" x 3/4" Channel. A "Furring Strip" may be used to Lower Automatic Door Bottom when a Deeper Channel is Used
- ▶ Furnished 1/2" Shorter than Ordered to Fit within Net Door Size. (i.e. 36" is Furnished 35 1/2") Length may be Field Cut up to 4"
- ▶ Fire Ratings Apply to Metal Doors Only
- ▶ #4 x 5/8" SMS Furnished
- ▶ End Caps Not Available
- ▶ Available 24" to 48" in Length
- ▶ 1/2" Max Drop

#### Finish

Mill Aluminum



NGP-GKT-320V-PCS-0323-A

**NGP MEMPHIS**  
4985 East Raines Road  
Memphis, TN 38118  
[orders@ngp.com](mailto:orders@ngp.com)

**NGP VEGAS**  
4584 Calimesa Street  
Las Vegas, NV 89115  
[vegasorders@ngp.com](mailto:vegasorders@ngp.com)

**ngp.com**  
1-800-NGP-RUSH