



331

Polypropylene Double Fin Door Shoe

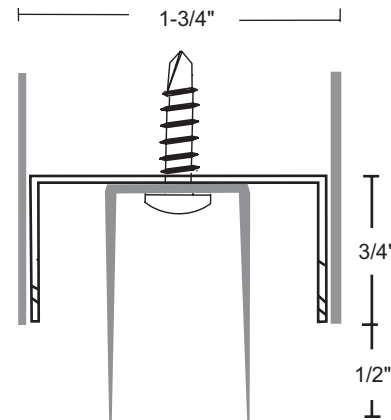
PRODUCT CUT SHEET

PROJECT:
SUBMITTED BY:
DATE:
NOTES:

Material

Rigid Polypropylene Top With Flexible TPV Fins
Polypropylene is Black

- ▶ Designed for Hollow Metal Doors With Inverted Bottom Channel
- ▶ Furnished Undrilled
- ▶ #8 x 3/4" TEK Screws Furnished
- ▶ Available for 36" and 48" Door Widths



NGP-GKT-331-PCS-0426-A

NATIONAL GUARD PRODUCTS, INC.

MEMPHIS

4985 East Raines Road
Memphis, TN 38118

CARSON CITY

3689 Arrowhead Drive
Carson City, NV 89706

Fax: (800) 255-7874

Email: info@ngp.com

Quotes: quotes@ngp.com

Orders: orders@ngp.com

ngp.com
1-800-NGP-RUSH