



335N

Neoprene Mortise Automatic Door Bottom

PRODUCT CUT SHEET

PROJECT:
SUBMITTED BY:
DATE:
NOTES:

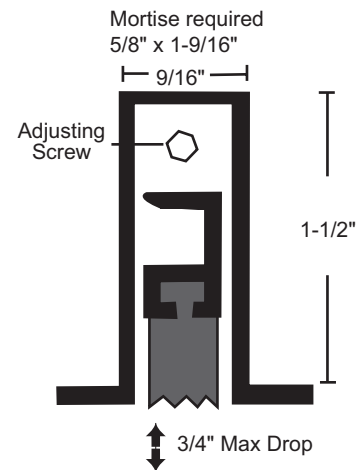
Material

Aluminum Alloy 6063, T5 Temper
Synthetic Rubber Polymer Blend: PVC, Nitrile Rubber (NBR), and Chloroprene Closed Cell Advanced Elastomeric Foam
Neoprene is Black

- ▶ Very Good Abrasion Resistance, Tensile Strength and Memory
- ▶ Flame Resistant
- ▶ Moisture Resistant
- ▶ Temperature Range -20°F to 200°F
- ▶ Good Resistance to Ozone, Sunlight and Aging
- ▶ Use With a Threshold for Maximum Sealing Capability
- ▶ Nylon Brush Recommended for Carpet Applications Where No Threshold is Provided
- ▶ Specify Exact Net Length Required to Avoid Field Sizing
- ▶ 36" and Longer May Be Cut Up to 4" in the Field, Under 36" Should Not Be Cut in the Field, Order Net Length
- ▶ Furnished 1/2" Shorter Than Ordered to Fit Within Net Door Size. (i.e. 36" is Furnished 35 1/2")
- ▶ Available 23 1/4" Net to 48" in Length
- ▶ End Caps Furnished Standard
- ▶ Fits Wood Fire Door Mortise Restrictions
- ▶ Mortise Required 5/8" x 1 9/16"
- ▶ 3/4" Max Drop

Finish

Mill Aluminum



NGP-GKT-335N-PCS-1220-A