



# 344-36", 344-48", 344C-36"

Thermoplastic Door Shoe with Soft Vinyl Fins

## PRODUCT CUT SHEET

PROJECT:
SUBMITTED BY:
DATE:
NOTES:



### Material & Finish

Thermoplastic Polymer: Polyvinyl Chloride

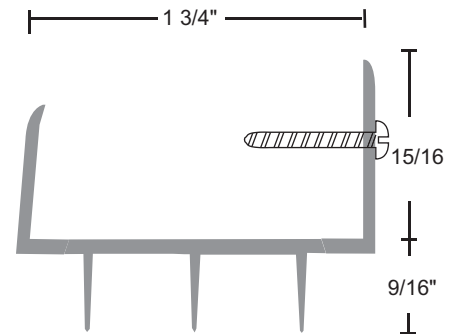
- ▶ Thermoplastic Formulated with an Environmentally Friendly Bio-Based Plasticizer Seal with Rigid Base and Soft Vinyl Fins
- ▶ Economical
- ▶ Flame Resistant
- ▶ Moisture Resistant
- ▶ Temperature Range 0°F To 140°F
- ▶ Oxidative Degradation From Age and Exposure to Cold, Heat and UV Causes Hardening, Loss of Memory and Resilience, Cracking, Crazeing and Discoloration
- ▶ #6 x 3/4" Stainless Steel SMS Furnished
- ▶ Available in 36" and 48" Lengths. 344C Available in 36" Length

### Finishes

- 344-36"** Dark Brown
- 344-48"**
- 344C-36"** Black

### Options

Notched Fins - Suffix "NF"



NGP-HOS-344-PCS-0122-A

**NGP MEMPHIS**  
 4985 East Raines Road  
 Memphis, TN 38118  
[orders@ngp.com](mailto:orders@ngp.com)

**NGP VEGAS**  
 4584 Calimesa Street  
 Las Vegas, NV 89115  
[vegasorders@ngp.com](mailto:vegasorders@ngp.com)

**ngp.com**  
 1-800-NGP-RUSH