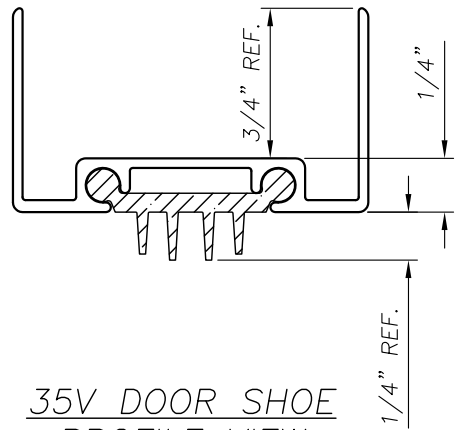


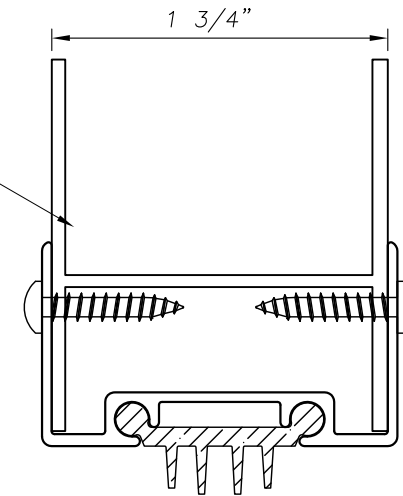
COMPANY:
 ACCOUNT#
 ADDRESS:
 ADDRESS:
 PHONE:
 FAX:
 CONTACT:

REVISIONS			
REV.	DESCRIPTION	DATE	APPR'D



35V DOOR SHOE
PROFILE VIEW

DOOR
(1-3/4" METAL)



INSTALLED VIEW

NOTE: #6 X 3/4" STAINLESS STEEL
 SHEET METAL SCREWS FURNISHED.
 SCREW HOLES SLOTTED FOR ADJUSTMENT.

AVAILABLE GASKETS:
 V = VINYL (GRAY)

ALUMINUM FINISHES:
 STANDARD IS A = CLEAR
 B = GOLD
 DKB = DARK BRONZE
 PLEASE REFER TO NGP CATALOG

TOLERANCE = ALUMINUM ASSOCIATION AND GASKET
 MANUFACTURER'S STANDARDS.



NATIONAL GUARD PRODUCTS, INC.
 4985 EAST RAINES ROAD
 MEMPHIS, TN 38118
 PHONE (800) 647-7874
 FAX (800) 255-7874

TITLE				35V	
DRAWN BY: DANNY TOMPKINS	SIZE A	FSCM NO.	DWG NO.	1	REV A
SCALE: FULL		DATE: 12/26/12		SHEET: 1 OF 1	