



# 35ET6

Thermoplastic Door Shoe

## PRODUCT CUT SHEET

PROJECT:
SUBMITTED BY:
DATE:
NOTES:

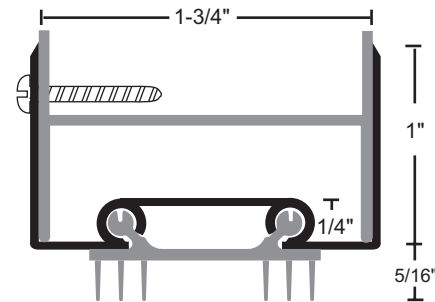
### Material

Aluminum Alloy 6063, T5 Temper  
Thermoplastic Polymer: Polyvinyl Chloride (PVC) Formulated with an Environmentally Friendly Bio-Based Plasticizer  
Seal with Rigid Base and Soft Vinyl Fins is Dark Brown

- ▶ Economical
- ▶ Flame resistant
- ▶ Moisture-Resistant
- ▶ Temperature Range 0°F to 140°F
- ▶ Oxidative Degradation from Age and Exposure to Cold, Heat and UV Causes Hardening, Loss of Memory and Resilience, Cracking, Crazeing and Discoloration
- ▶ #6 x 3/4" Stainless Steel Sheet Metal Screws Furnished
- ▶ 48" Maximum Length

### Finishes

35ET6 Mill Aluminum  
35ET6DKB Dark Bronze



**NGP MEMPHIS**  
4985 East Raines Road  
Memphis, TN 38118  
[orders@ngp.com](mailto:orders@ngp.com)

**NGP VEGAS**  
4584 Calimesa Street  
Las Vegas, NV 89115  
[vegasorders@ngp.com](mailto:vegasorders@ngp.com)

NGP-GKT-35ET6-PCS-0323-A

**ngp.com**  
1-800-NGP-RUSH