



# 3X428E

Floor Closer Threshold

## PRODUCT CUT SHEET

PROJECT:
SUBMITTED BY:
DATE:
NOTES:

### Material

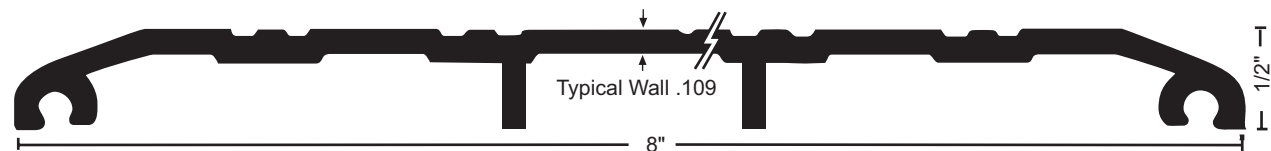
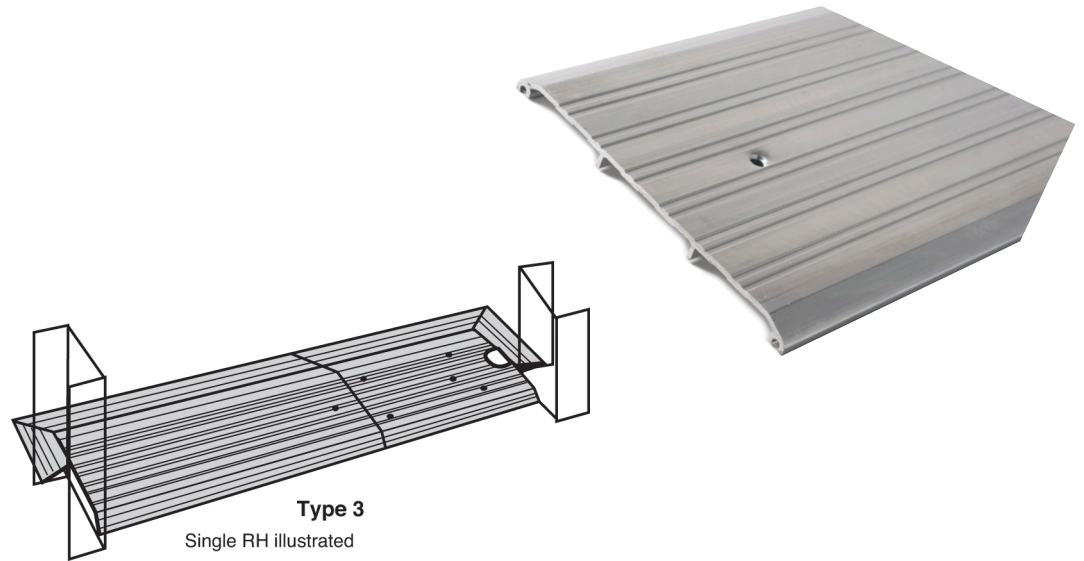
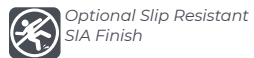
Aluminum Alloy 6063, T5 Temper

- ▶ 8" Wide x 1/2" Tall
- ▶ Fluted Top
- ▶ BHMA Certified to ANSI/BHMA A156.21 1,000 Lb. Load Test
- ▶ Thresholds Can Be Fabricated For Use With Any Floor Closer
- ▶ Typical Wall Thickness: .109"
- ▶ Weight: 1.20 Lbs./Ft.
- ▶ #10 x 1 1/2" FH Zinc Plated Wood Screws Included. Dark Bronze Supplied With DKB Thresholds

### Finishes

- Mill Finish
- DKB - Dark Bronze Finish

### Options



**NGP MEMPHIS**  
4985 East Raines Road  
Memphis, TN 38118  
orders@ngp.com

**NGP VEGAS**  
4584 Calimesa Street  
Las Vegas, NV 89115  
vegasorders@ngp.com

NGP-THR-3X428E-PCS-0223-A

**ngp.com**  
1-800-NGP-RUSH