



3X913

Floor Closer Threshold

PRODUCT CUT SHEET

PROJECT:
SUBMITTED BY:
DATE:
NOTES:

Material

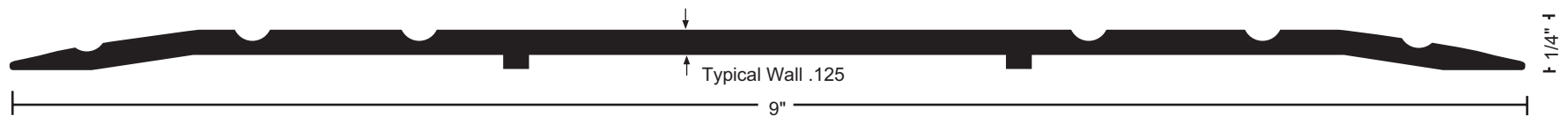
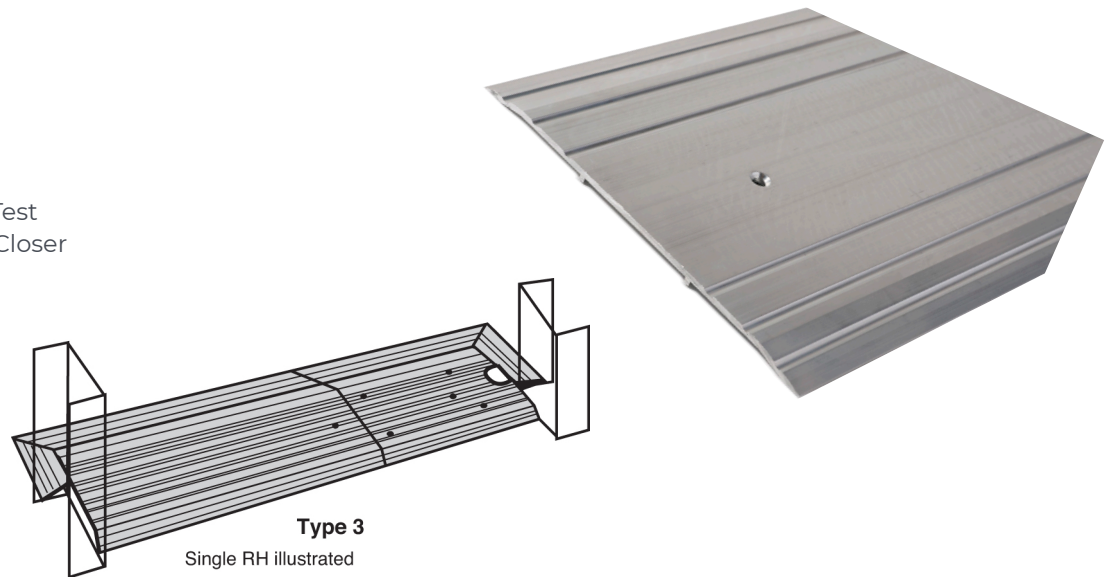
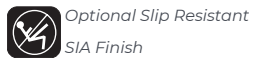
Aluminum Alloy 6063, T5 Temper

- ▶ 9" Wide x ¼" Tall
- ▶ Fluted Top
- ▶ BHMA Certified to ANSI/BHMA A156.21 1,000 Lb. Load Test
- ▶ Thresholds Can Be Fabricated For Use With Any Floor Closer
- ▶ Typical Wall Thickness: .125"
- ▶ Weight: 1.41 Lbs./Ft.
- ▶ #10 x 1 ½" FH Zinc Plated Wood Screws Included.
Dark Bronze Supplied With DKB Thresholds

Finishes

Mill Finish

DKB - Dark Bronze Finish



NGP-THR-3X913-PCS-0321-A