



4440WH

Nylon Brush Dual Actuated, Surface Automatic Door Bottom

PRODUCT CUT SHEET

Material

Aluminum Alloy 6063, T5 Temper
Synthetic Polymer: Polyamide
Nylon Brush

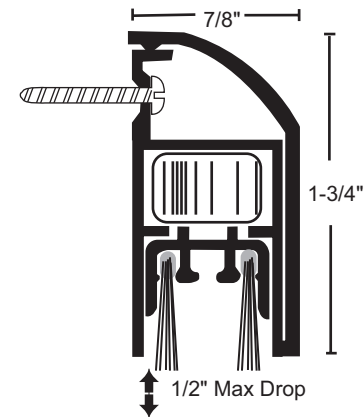
- ▶ Excellent Abrasion Resistance, Flexibility and Memory
- ▶ Moisture Resistant
- ▶ Retains Insecticides Well
- ▶ Temperature Range -70°F to 425°F
- ▶ Not Effective Against Water Penetration
- ▶ WILL NOT FUNCTION ON PAIRS OF DOORS
- ▶ Actuated by Frame Stop on Both Ends
- ▶ Low Compression & Operating Force
- ▶ Concealed Fasteners
- ▶ For Pairs Use Matching Single Actuated Door Bottoms
- ▶ Furnished $1\frac{3}{8}$ " Shorter Than Ordered to Fit Between Stops on Frame. (i.e. 36" is Furnished $34\frac{5}{8}$ ")
- ▶ #6 x $\frac{3}{4}$ " TEK Furnished
- ▶ Available 24" to 96" in Length. May Be Field Cut Up To 3"
- ▶ $\frac{1}{2}$ " Max Drop

Finishes

4440WHA Anodized Aluminum
4440WHB Gold
4440WHDKB Dark Bronze



PROJECT:
SUBMITTED BY:
DATE:
NOTES:



NGP-GKT-4440WH-PCS-1220-A