



4447S

Silicone Dual Actuated, Mortise Automatic Door Bottom

PRODUCT CUT SHEET

PROJECT:
SUBMITTED BY:
DATE:
NOTES:

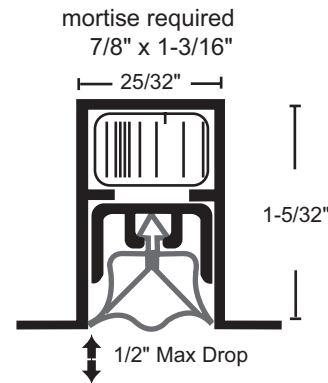
Material

Aluminum Alloy 6063, T5 Temper
Synthetic Rubber Polymer: Siloxane
Silicone is Gray

- ▶ Excellent Flexibility and Memory
- ▶ Flame Resistant
- ▶ Moisture Resistant
- ▶ Temperature Range -100°F To 500°F, Remains Flexible at Extreme Temperatures
- ▶ Excellent Resistance to Ozone, UV and Aging
- ▶ Recommended for Areas Using FM200 or Halon Fire Suppression Systems
- ▶ WILL NOT FUNCTION ON PAIRS OF DOORS
- ▶ Actuated by Frame Stop on Both Ends
- ▶ Low Compression & Operating Force
- ▶ Concealed Fasteners
- ▶ For Pairs Use Matching Single Actuated Door Bottoms
- ▶ Furnished ¼" Shorter Than Ordered to Fit Net Door Width. (i.e. 36" is Furnished 35¾" Net)
- ▶ Available 24" to 96" in Length. May Be Field Cut Up To 3"
- ▶ Mortise Required 7/8" x 1 3/16"
- ▶ #4 x 5/8" SMS Furnished
- ▶ ½" Max Drop

Finishes

Mill Aluminum



NGP-GKT-4447S-PCS-1220-A