



# 4X427BR

Floor Closer Threshold

## PRODUCT CUT SHEET

PROJECT:
SUBMITTED BY:
DATE:
NOTES:

### Material

Alloy CDA 385 (Copper Alloy No. C38500)

- ▶ 7" Wide x 1/2" Tall
- ▶ Fluted Top
- ▶ Thresholds Can Be Fabricated For Use With Any Floor Closer
- ▶ Typical Wall Thickness: .187"
- ▶ Weight: 4.09 Lbs./Ft.
- ▶ #10 x 1 1/2" Brass Wood Screws Included. Antique Bronze Finish  
Screws Supplied With DKB Thresholds

### Finish

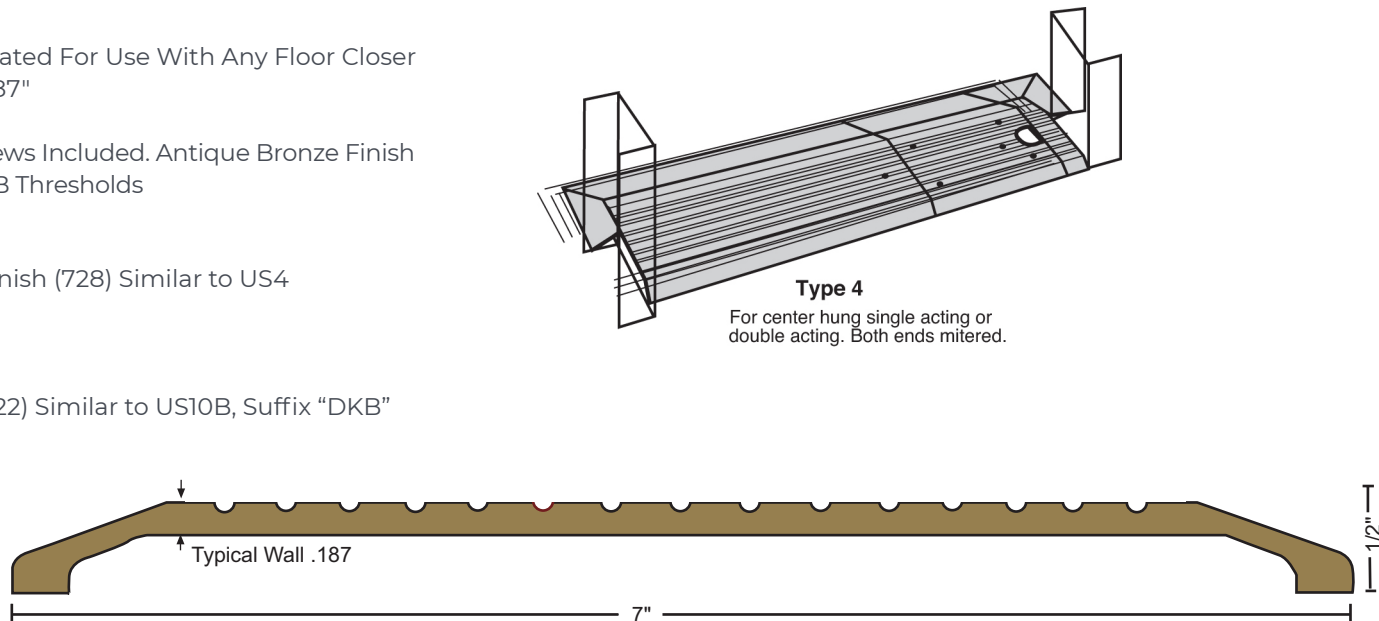
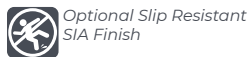
Architectural Bronze Satin Finish (728) Similar to US4

### Optional Finishes:

Polished (721), Suffix "POL"

Dark Oxidized Oil Rubbed (722) Similar to US10B, Suffix "DKB"

### Options



**Type 4**

For center hung single acting or double acting. Both ends mitered.



NGP-THR-4X427BR-PCS-1023-A

## NATIONAL GUARD PRODUCTS, INC.

### MEMPHIS

4985 East Raines Road  
Memphis, TN 38118

### CARSON CITY

3689 Arrowhead Drive  
Carson City, NV 89706

**Fax:** (800) 255-7874

**Email:** info@ngp.com

**Quotes:** quotes@ngp.com

**Orders:** orders@ngp.com

**ngp.com**  
1-800-NGP-RUSH