



5050W

Silicone Bulb Fire and Smoke Seal

PRODUCT CUT SHEET


Material


Self-Adhesive Synthetic Rubber Polymer: Siloxane

- ▶ Excellent Flexibility and Memory
- ▶ Flame-Resistant
- ▶ Moisture-Resistant
- ▶ Temperature Range -100°F to 500°F, Remains Flexible at Extreme Temperatures
- ▶ Excellent Resistance to Ozone, UV and Aging
- ▶ Recommended for Areas Using FM200 or Halon Fire Suppression Systems
- ▶ BHMA Certified to ANSI/BHMA A156.22 Performance Tests for Heat, Cold and Air Infiltration
- ▶ Modified Acrylic Pressure Sensitive Adhesive Protected by Release Liner
- ▶ Provides High Initial Adhesion and Long Term Holding Power for Permanent Mounting in Exterior or Interior Locations
- ▶ Resistant to Aging, Weathering, UV Radiation, Water, Detergent, Alcohol and the Influence of Chemicals
- ▶ End Use Temperature Range of Adhesive, Long Term Exposure -30°F Up To 250°F
- ▶ Shelf Life of Adhesive Prior to Installation is One Year when Stored at 75°F and 50% Relative Humidity or Less
- ▶ Meets Requirements of RoHS Directive
- ▶ 1/2" Wide x 1/4" Tall
- ▶ Available in 17', 20', 21', 25' and 300' Rolls
*Clear Not Available in 21'

Color
5050W White

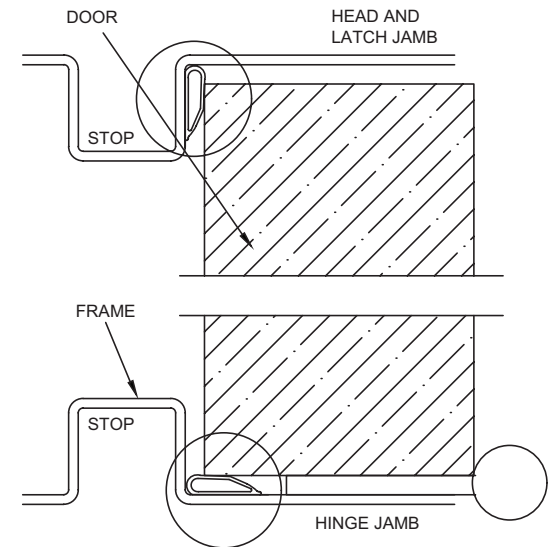
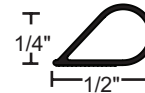


 **Edge Sealing System - Category "G" for 20 minute rated category B wood doors**
perimeter application up to:
single swing 4'0 x 8'0
pairs 8'0 x 8'0
use 9550 at the meeting edge of pairs

 **Smoke and Draft Control - Category "H"**
Up to 3 hours Hollow Metal fire doors
Up to 90 minutes Wood fire doors



PROJECT:
SUBMITTED BY:
DATE:
NOTES:



NGP-GKT-5050W-PCS-0323-A

NGP MEMPHIS
4985 East Raines Road
Memphis, TN 38118
orders@ngp.com

NGP VEGAS
4584 Calimesa Street
Las Vegas, NV 89115
vegasorders@ngp.com

ngp.com
1-800-NGP-RUSH