



# 551

## Square Edge Astragal Set on Active Leaf

### PRODUCT CUT SHEET

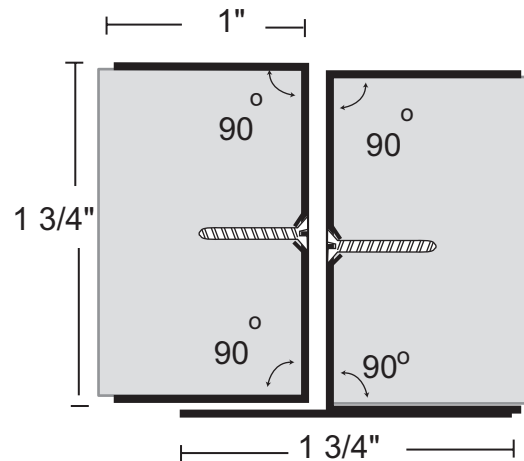
PROJECT:
SUBMITTED BY:
DATE:
NOTES:

#### Material

- ▶ 20-Gauge Cold Rolled Steel on Edges
- ▶ 18 Ga. Cold Rolled Steel on Astragal Welded to Edges
- ▶ For 1 3/4" Thick Doors (Inside Dim. 1 3/4" Actual)
- ▶ #8 x 3/4" Flat Undercut Phillips Head SMS
- ▶ Standard Finish = Tan (T) Powder Coat

#### Available Options

- ▶ Powder Coat Color Options - See Color Chart on [ngp.com](http://ngp.com)
- ▶ Stainless Steel 20-Gauge, Type 304, #4 Brushed Finish - Suffix "SS"
- ▶ Galvanneal
- ▶ Torx Security Screws
- ▶ Special Door Thickness: Available from 1 3/8" to 2 1/4"
- ▶ Lead Lining 1/16" Thick



NGP-EDG-551-PCS-0724-A

#### NATIONAL GUARD PRODUCTS, INC.

##### MEMPHIS

4985 East Raines Road  
Memphis, TN 38118

##### CARSON CITY

3689 Arrowhead Drive  
Carson City, NV 89706

**Fax:** (800) 255-7874  
**Email:** [info@ngp.com](mailto:info@ngp.com)

**Quotes:** [quotes@ngp.com](mailto:quotes@ngp.com)  
**Orders:** [orders@ngp.com](mailto:orders@ngp.com)

**ngp.com**  
1-800-NGP-RUSH