



5X427BR X 424BR

Floor Closer Threshold

PRODUCT CUT SHEET

PROJECT:

SUBMITTED BY:

DATE:

NOTES:

Material

Alloy CDA 385 (Copper Alloy No. C38500)

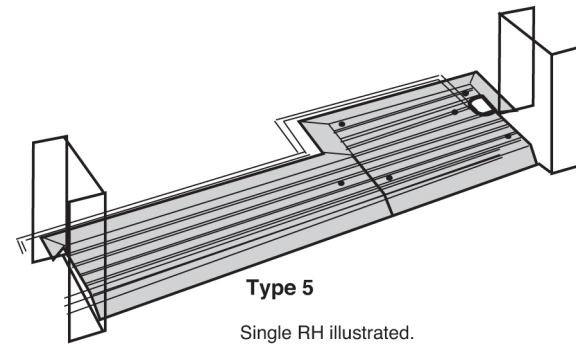
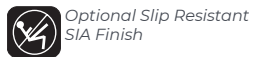
- ▶ 7" Wide at Floor Closer, Balance 4" Wide x 1/2" Tall x 36" Length
- ▶ Fluted Top
- ▶ Thresholds Can Be Fabricated For Use With Any Floor Closer
- ▶ Typical Wall Thickness: .187"
- ▶ Weight: 2.28 Lbs./Ft.
- ▶ #10 x 1 1/2" Brass Wood Screws Included. Antique Bronze Finish Screws Supplied With DKB Thresholds

Finish

Architectural Bronze Satin Finish (728) Similar to US4

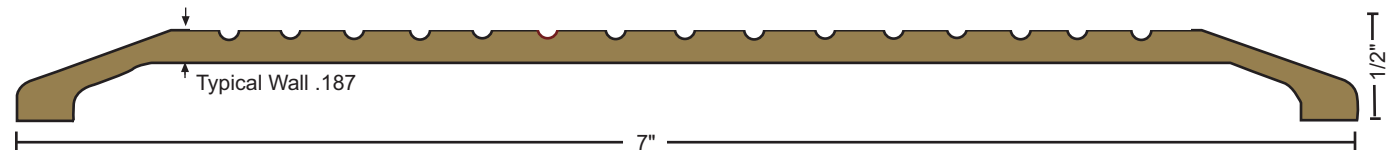
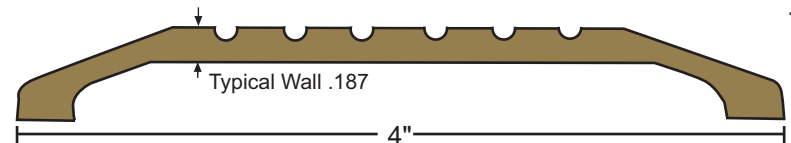
Optional Finishes:

Polished (721), Suffix "POL"
Dark Oxidized Oil Rubbed (722)
Similar to US10B, Suffix "DKB"



Type 5

Single RH illustrated.



NGP-THR-5X427BR X 424BR-PCS-0321-A