



# 5X713 X 413

Floor Closer Threshold

## PRODUCT CUT SHEET

PROJECT:
SUBMITTED BY:
DATE:
NOTES:

### Material

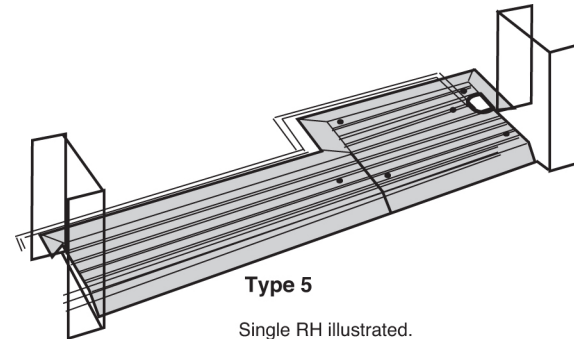
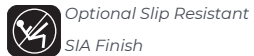
Aluminum Alloy 6063, T5 Temper

- ▶ 7" Wide at Floor Closer, Balance 4" Wide x 1/4" Tall x 36" Length
- ▶ Fluted Top
- ▶ BHMA Certified to ANSI/BHMA A156.21 1,000 Lb. Load Test
- ▶ Thresholds Can Be Fabricated For Use With Any Floor Closer
- ▶ Typical Wall Thickness: .125"
- ▶ Weight: .53 Lbs./Ft.
- ▶ #10 x 1 1/2" FH Zinc Plated Wood Screws Included.  
Dark Bronze Supplied With DKB Thresholds

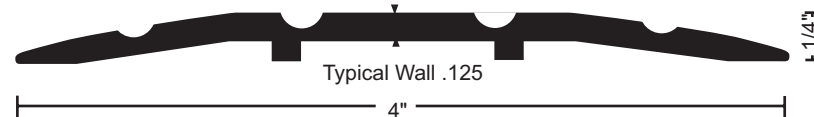
### Finishes

Mill Finish

DKB - Dark Bronze Finish



**Type 5**  
Single RH illustrated.



NGP-THR-5X713 X 413-PCS-0321-A