



5X713BR X 413BR

Floor Closer Threshold

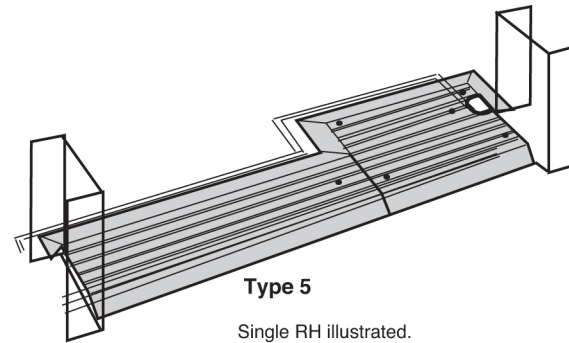
PRODUCT CUT SHEET

PROJECT:
SUBMITTED BY:
DATE:
NOTES:

Material

Alloy CDA 385 (Copper Alloy No. C38500)

- 7" Wide at Floor Closer, Balance 4" Wide x 1/4" Tall x 36" Length
- Fluted Top
- Thresholds Can Be Fabricated For Use With Any Floor Closer
- Typical Wall Thickness: .157"
- Weight: 1.52 Lbs./Ft.
- #10 x 1 1/2" Brass Wood Screws Included. Antique Bronze Finish Screws Supplied With DKB Thresholds

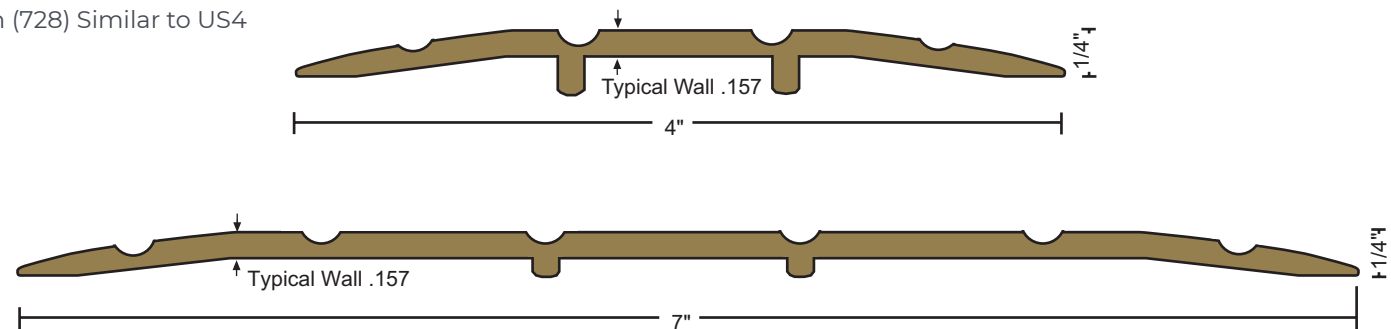
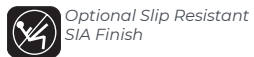


Finish

Architectural Bronze Satin Finish (728) Similar to US4

Optional Finishes:

Polished (721), Suffix "POL"
 Dark Oxidized Oil Rubbed (722)
 Similar to US10B, Suffix "DKB"



NGP-THR-5X713BR X 413BR-PCS-0321-A