



5X813 X 513

Floor Closer Threshold

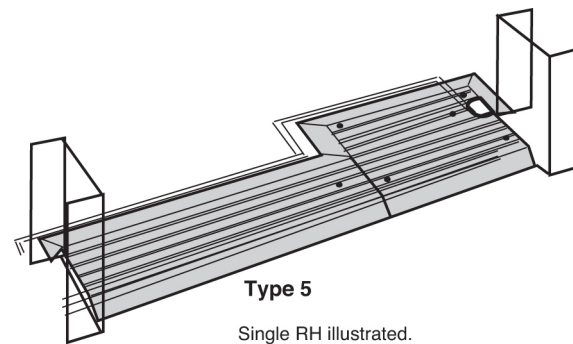
PRODUCT CUT SHEET

PROJECT:
SUBMITTED BY:
DATE:
NOTES:

Material

Aluminum Alloy 6063, T5 Temper

- ▶ 8" Wide at Floor Closer, Balance 5" Wide x 1/4" Tall x 36" Length
- ▶ Fluted Top
- ▶ BHMA Certified to ANSI/BHMA A156.21 1,000 Lb. Load Test
- ▶ Thresholds Can Be Fabricated For Use With Any Floor Closer
- ▶ Typical Wall Thickness: .125"
- ▶ Weight: .68 Lbs./Ft.
- ▶ #10 x 1 1/2" FH Zinc Plated Wood Screws Included. Dark Bronze Supplied With DKB Thresholds



Type 5
Single RH illustrated.

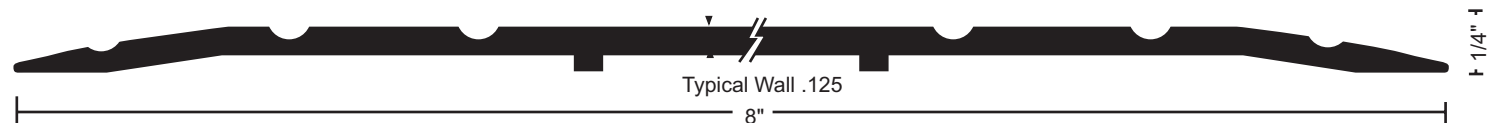
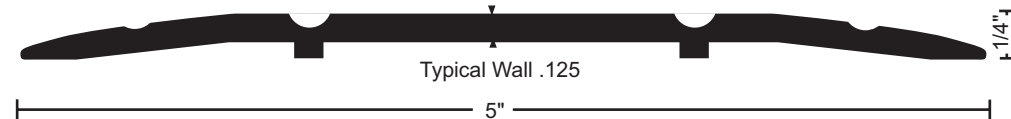
Finishes

- Mill Finish
- DKB - Dark Bronze Finish

Options



Optional Slip Resistant SIA Finish



NGP MEMPHIS
4985 East Raines Road
Memphis, TN 38118
orders@ngp.com

NGP VEGAS
4584 Calimesa Street
Las Vegas, NV 89115
vegasorders@ngp.com

NGP-THR-5X813 X 513-PCS-0223-A

ngp.com
1-800-NGP-RUSH