



672

Concealed Fastener Nylon Brush Perimeter Seal or Sweep

PRODUCT CUT SHEET

PROJECT:
SUBMITTED BY:
DATE:
NOTES:

Material

Aluminum Alloy 6063, T5 Temper
Synthetic Polymer: Polyamide
Nylon Brush

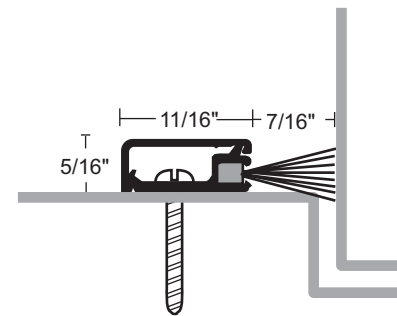
- ▶ Excellent Abrasion Resistance, Flexibility and Memory
- ▶ Moisture Resistant
- ▶ Retains Insecticides Well
- ▶ Temperature Range -70°F to 425°F
- ▶ BHMA Certified to ANSI/BHMA A156.22 Performance Tests for Heat and Cold
- ▶ REACH and RoHS Compliant
- ▶ Not Effective Against Water Penetration
- ▶ Snap-On Cover Conceals Screw Heads for Clean Appearance
- ▶ #6 X 3/4" Stainless Steel Sheet Metal Screws Furnished
- ▶ Screw Holes Slotted for Adjustment

Finishes

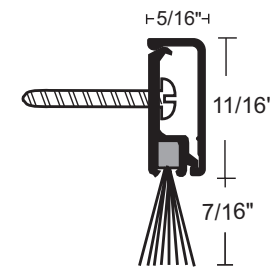
672A	Anodized Aluminum	Gray Brush
672B	Gold	Black Brush
672DKB	Dark Bronze	Black Brush

Options

FATT - Fast Attach Tape



Perimeter Seal



Sweep



NGP-GKT-672-PCS-0720-A