



# 675

## Concealed Fastener Nylon Brush Perimeter Seal or Sweep

### PRODUCT CUT SHEET

PROJECT:
SUBMITTED BY:
DATE:
NOTES:

#### Material

Aluminum Alloy 6063, T5 Temper  
 Synthetic Polymer: Polyamide  
 Nylon Brush

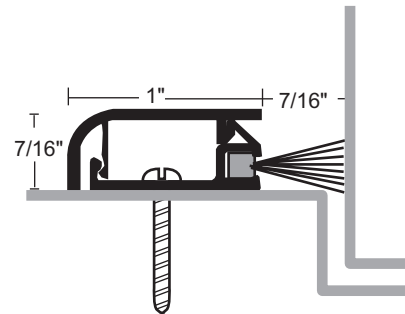
- ▶ Excellent Abrasion Resistance, Flexibility and Memory
- ▶ Moisture Resistant
- ▶ Retains Insecticides Well
- ▶ Temperature Range -70°F To 425°F
- ▶ REACH and RoHS Compliant
- ▶ Not Effective Against Water Penetration
- ▶ Snap-On Cover Conceals Screw Heads for Clean Appearance
- ▶ #6 X 3/4" Stainless Steel Sheet Metal Screws Furnished
- ▶ Screw Holes Slotted for Adjustment

#### Finishes

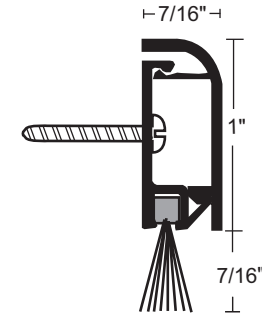
675A	Anodized Aluminum	Gray Brush
675B	Gold	Black Brush
675DKB	Dark Bronze	Black Brush

#### Options

FATT - Fast Attach Tape



Perimeter Seal



Sweep

NGP-GKT-675-PCS-1120-A